






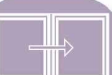




WINDOW & DOOR HARDWARE SYSTEMS

TECHNICAL CATALOGUE



INDEX

	TILT AND TURN SYSTEM	7-53
	SIDE HUNG GEAR SYSTEM	54-77
	DOUBLE SASH SYSTEM	78-93
	DOOR SYSTEM	94-138
	TRANSORM OPENING SYSTEM	139-141
	SIMPLE SLIDING SYSTEM	142-162
	PARALLEL SLIDING SYSTEM	163-169
	ACCESSORIES	170-179



GEVISS WINDOW AND DOOR ACCESORIES COMPANY HAS ESTABLISHED IN 2006.

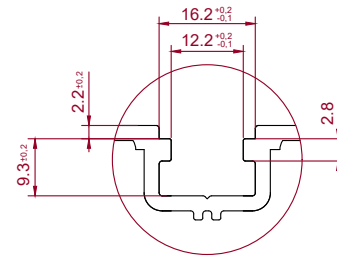
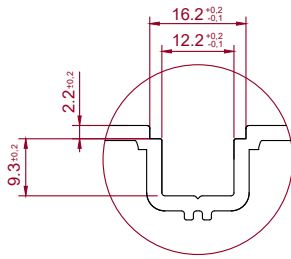
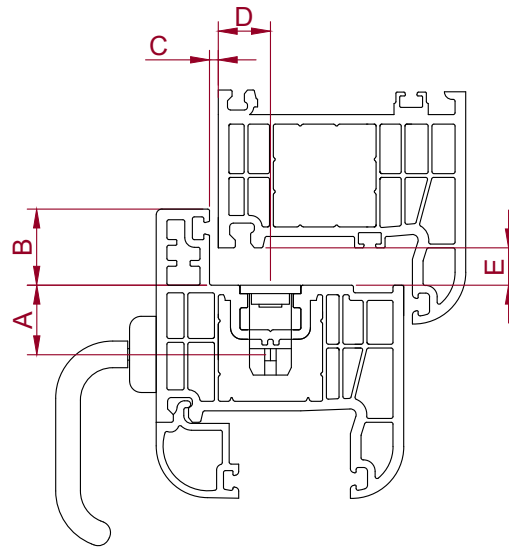
WITH THE EXPERIENCE OF OVER 30 YEARS IN PRODUCTION, GEVISS SUCCEED TO BE ONE OF THE PIONEER COMPANIES IN BUSINESS. FROM **GEVISS** FACTORY WITH MORE THAN 26.000 M2 INDOOR AREA BASED IN ISTANBUL/TURKEY, WE EXPORT OUR GOODS FOR OVER 50 COUNTRIES AROUND THE WORLD.

GEVISS IS PRODUCING ACCESSORIES FOR PVC DOORS AND WINDOWS; WHICH ARE TILT AND TURN SYSTEMS, SLIDING SYSTEMS, DOOR LOCKS, HINGES AND ALL OTHER PRODUCTS, BY WORLD STANDARDS TECHNOLOGY AUTOMATIC BASED MACHINES. THE QUALITY OF **GEVISS** PRODUCTS IS ALWAYS UNDER CONTROL BY THE TESTS WE DO IN OUR OWN LABORATORIES.

WITH OUR EXPERIENCED TECHNICAL STAFF, ENGINEERS AND R&D DEPARTMENT, WE AIM TO KEEP OUR QUALITY HIGH AND DEVELOP OUR PRODUCT RANGE WITH THE HELP OF FEEDBACKS FROM OUR VALUABLE CUSTOMERS.

FRAME & SASH DETAIL

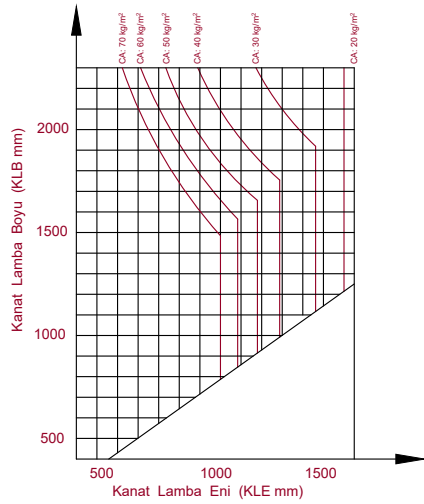
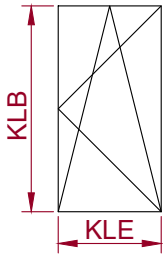
A	7.5 - 15.5 mm
B	18 - 20 - 22 mm
C	3 - 3.5 mm
D	9 - 13 mm
E	12 mm



* The working gap between the frame and sash must be 12 mm. Otherwise the system may not work properly.

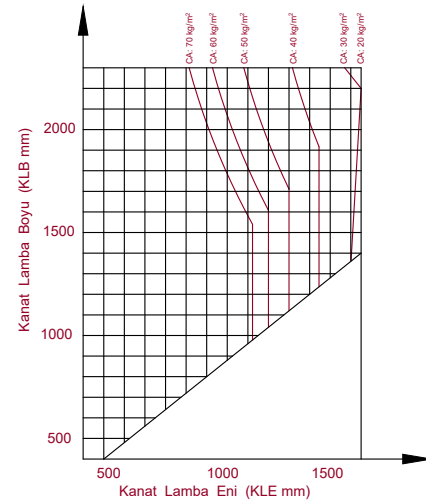
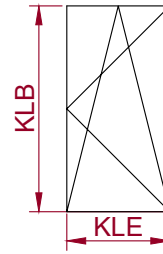
WINDOWS AND DOORS DIAGRAM

Maksimum Kanat Ağırlığı 100 kg



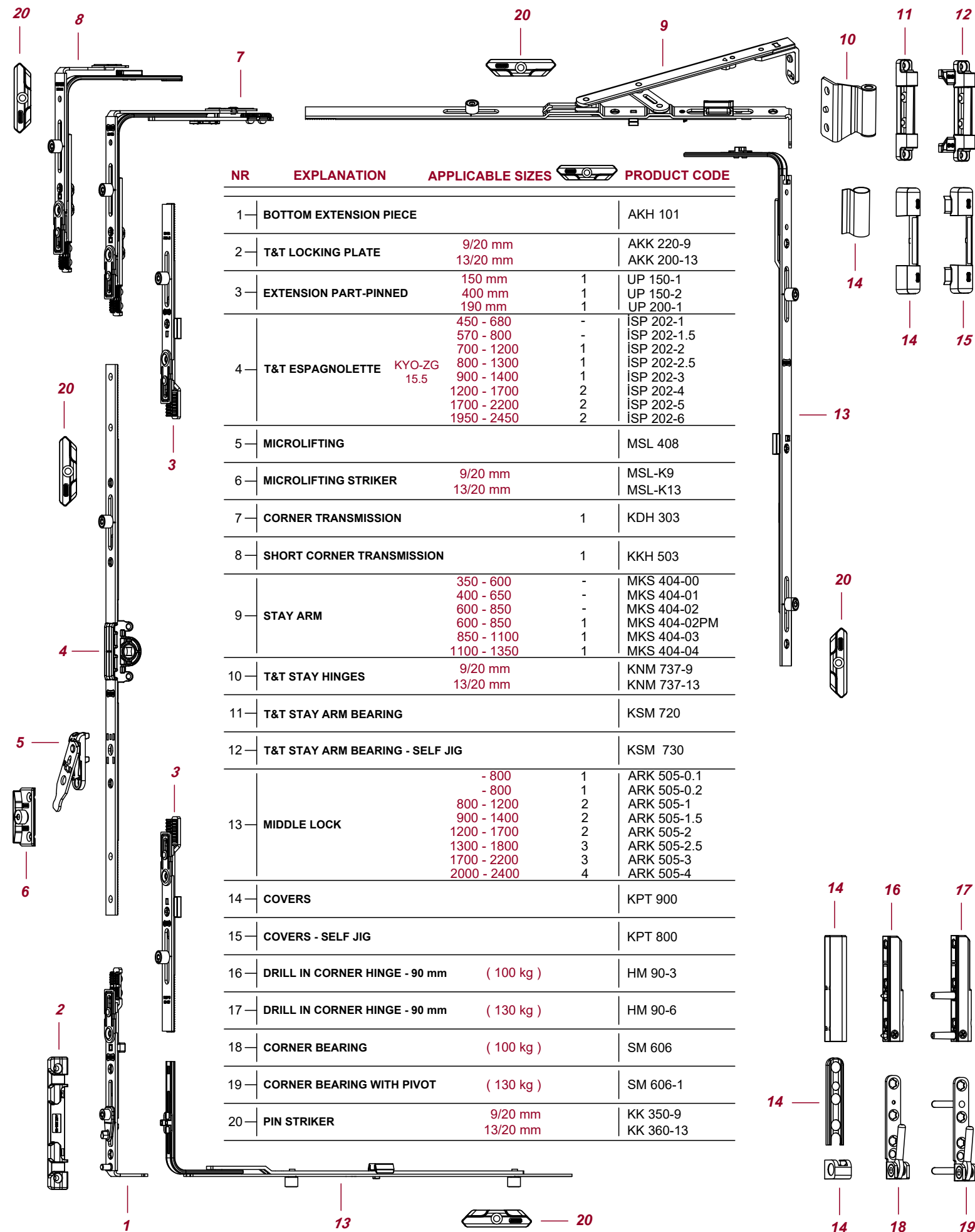
1mm/m² Cam Kalınlığı = 2,5 kg
CA = Cam Ağırlığı

Maksimum Kanat Ağırlığı 130 kg



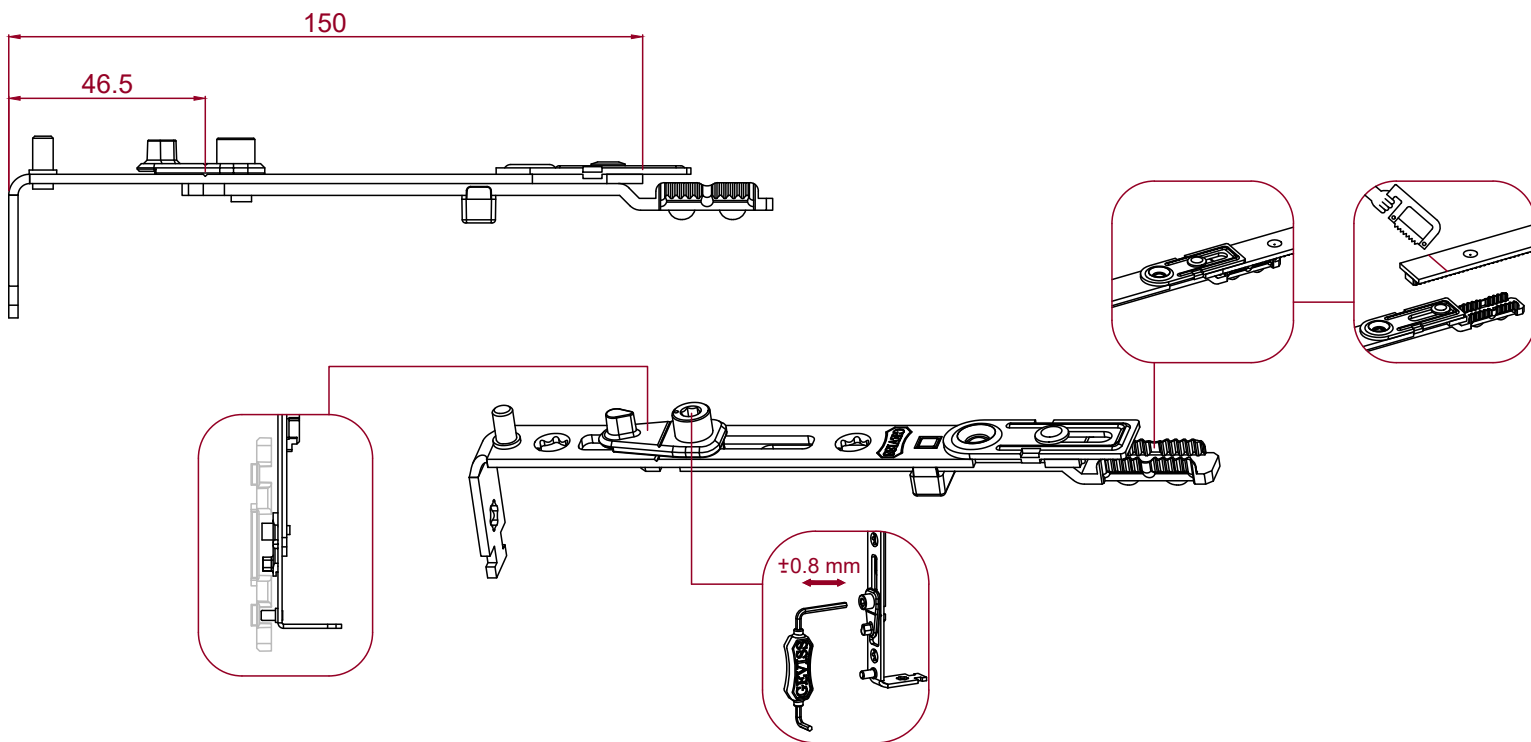
1mm/m² Cam Kalınlığı = 2,5 kg
CA = Cam Ağırlığı





NR	EXPLANATION	APPLICABLE SIZES		PRODUCT CODE
1	BOTTOM EXTENSION PIECE			AKH 101
2	T&T LOCKING PLATE	9/20 mm 13/20 mm		AKK 220-9 AKK 200-13
3	EXTENSION PART-PINNED	150 mm 400 mm 190 mm	1 1 1	UP 150-1 UP 150-2 UP 200-1
4	T&T ESPAGNOLETTE	450 - 680 570 - 800 700 - 1200 800 - 1300 900 - 1400 1200 - 1700 1700 - 2200 1950 - 2450	- - 1 1 1 2 2 2	ISP 202-1 ISP 202-1.5 ISP 202-2 ISP 202-2.5 ISP 202-3 ISP 202-4 ISP 202-5 ISP 202-6
5	MICROLIFTING			MSL 408
6	MICROLIFTING STRIKER	9/20 mm 13/20 mm		MSL-K9 MSL-K13
7	CORNER TRANSMISSION		1	KDH 303
8	SHORT CORNER TRANSMISSION		1	KKH 503
9	STAY ARM	350 - 600 400 - 650 600 - 850 600 - 850 850 - 1100 1100 - 1350	- - - 1 1 1	MKS 404-00 MKS 404-01 MKS 404-02 MKS 404-02PM MKS 404-03 MKS 404-04
10	T&T STAY HINGES	9/20 mm 13/20 mm		KNM 737-9 KNM 737-13
11	T&T STAY ARM BEARING			KSM 720
12	T&T STAY ARM BEARING - SELF JIG			KSM 730
13	MIDDLE LOCK	- 800 - 800 800 - 1200 900 - 1400 1200 - 1700 1300 - 1800 1700 - 2200 2000 - 2400	1 1 2 2 2 3 3 4	ARK 505-0.1 ARK 505-0.2 ARK 505-1 ARK 505-1.5 ARK 505-2 ARK 505-2.5 ARK 505-3 ARK 505-4
14	COVERS			KPT 900
15	COVERS - SELF JIG			KPT 800
16	DRILL IN CORNER HINGE - 90 mm	(100 kg)		HM 90-3
17	DRILL IN CORNER HINGE - 90 mm	(130 kg)		HM 90-6
18	CORNER BEARING	(100 kg)		SM 606
19	CORNER BEARING WITH PIVOT	(130 kg)		SM 606-1
20	PIN STRIKER	9/20 mm 13/20 mm		KK 350-9 KK 360-13

NR	EXPLANATION	APPLICABLE SIZES		PRODUCT CODE
1	HORIZONTAL TILT STRIKER PLATE	9/20 mm 13/20 mm		MBK 325-9 MBK 335-13
2	CORNER TRANSMISSION WITH MUSHROOM PIN (DOUBLE PIN)		1	MBK 603
3	EXTENSION PART - SECURY	150 mm	1	UP 150-G1
		400 mm	1	UP 150-G2
		190 mm	1	UP 200-G1
4	T&T ESPAGNOLETTE - SECURY KYO-ZG 15.5	450 - 680	-	ISP 202-1
		570 - 800	-	ISP 202-1.5
		700 - 1200	1	ISP 202-G2
		800 - 1300	1	ISP 202-G2.5
		900 - 1400	1	ISP 202-G3
		1200 - 1700	2	ISP 202-G4
		1700 - 2200	2	ISP 202-G5
1950 - 2450	2	ISP 202-G6		
5	MICROLIFTING			MSL 408
6	MICROLIFTING STRIKER	9/20 mm		MSL-K9
		13/20 mm		MSL-K13
7	CORNER TRANSMISSION		1	MBK 703
8	SHORT CORNER TRANSMISSION		1	KKH 503-G
9	STAY ARM - SECURY	350 - 600	-	MKS 404-00
		400 - 650	-	MKS 404-01
		600 - 850	-	MKS 404-02
		600 - 850	1	MKS 404-G02
		850 - 1100	1	MKS 404-G03
		1100 - 1350	1	MKS 404-G04
10	T&T STAY HINGES	9/20 mm		KNM 737-9
		13/20 mm		KNM 737-13
11	T&T STAY ARM BEARING			KSM 720
12	T&T STAY ARM BEARING - SELF JIG			KSM 730
13	MIDDLE LOCK - SECURY	- 800	1	ARK 505-G0.1
		- 800	1	ARK 505-G0.2
		800 - 1200	2	ARK 505-G1
		900 - 1400	2	ARK 505-G1.5
		1200 - 1700	2	ARK 505-G2
		1300 - 1800	3	ARK 505-G2.5
		1700 - 2200	3	ARK 505-G3
2000 - 2400	4	ARK 505-G4		
14	COVERS			KPT 900
15	COVERS - SELF JIG			KPT 800
16	DRILL IN CORNER HINGE - 90 mm	(100 kg)		HM 90-3
17	DRILL IN CORNER HINGE - 90 mm	(130 kg)		HM 90-6
18	CORNER BEARING	(100 kg)		SM 606
19	CORNER BEARING WITH PIVOT	(130 kg)		SM 606-1
20	ADDITIONAL STRAIGHT LOCKING - SECURY	800-1200	1	IDK 213-G1
		1200-1700		IDK 213-G2
21	PIN STRIKER	9/20 mm		KK 350-9
		13/20 mm		KK 360-13

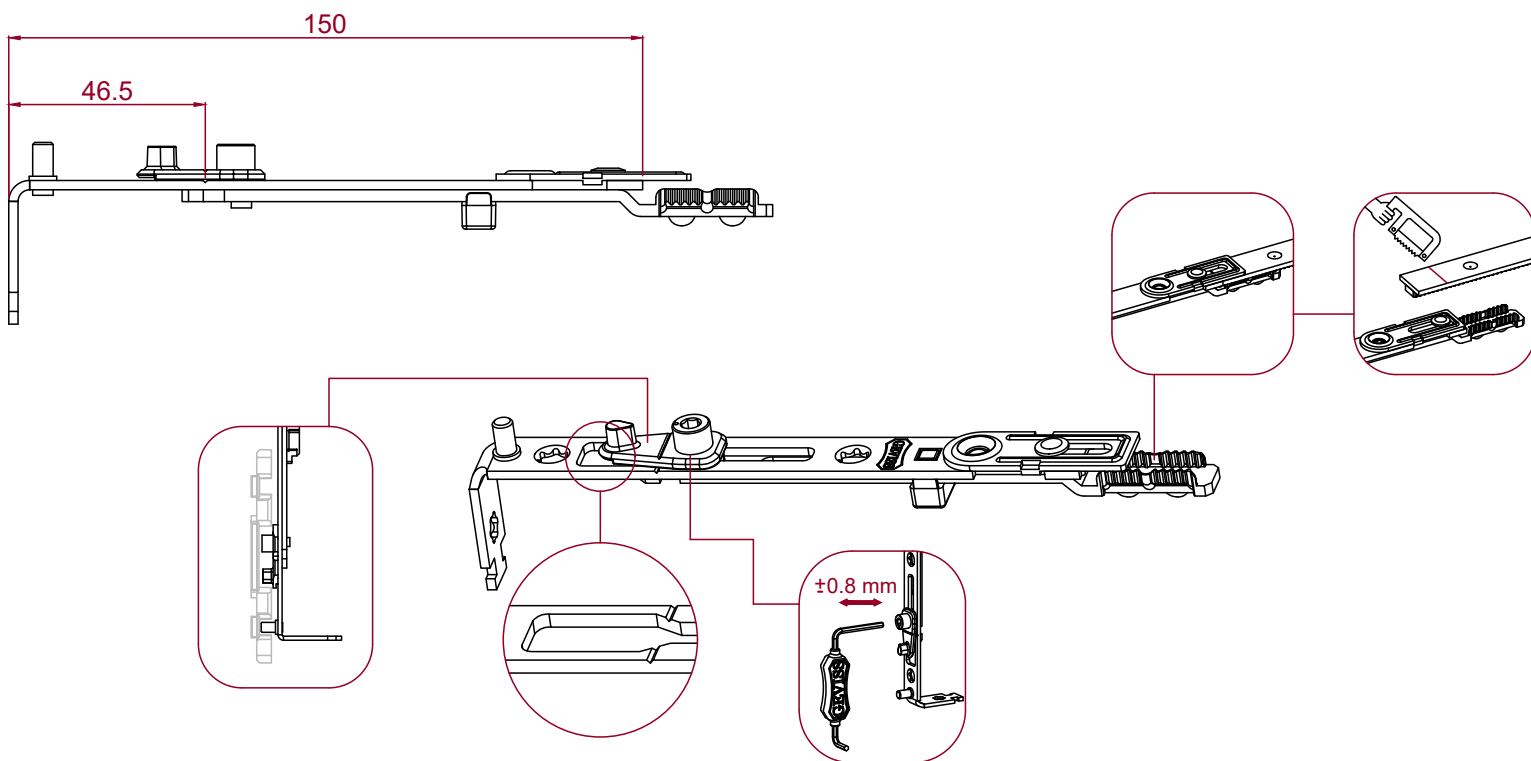


PRODUCT CODE

EXPLANATION



PRODUCT CODE	EXPLANATION				
AKH 101	BOTTOM EXTENSION PIECE	700-2200	1	4	50

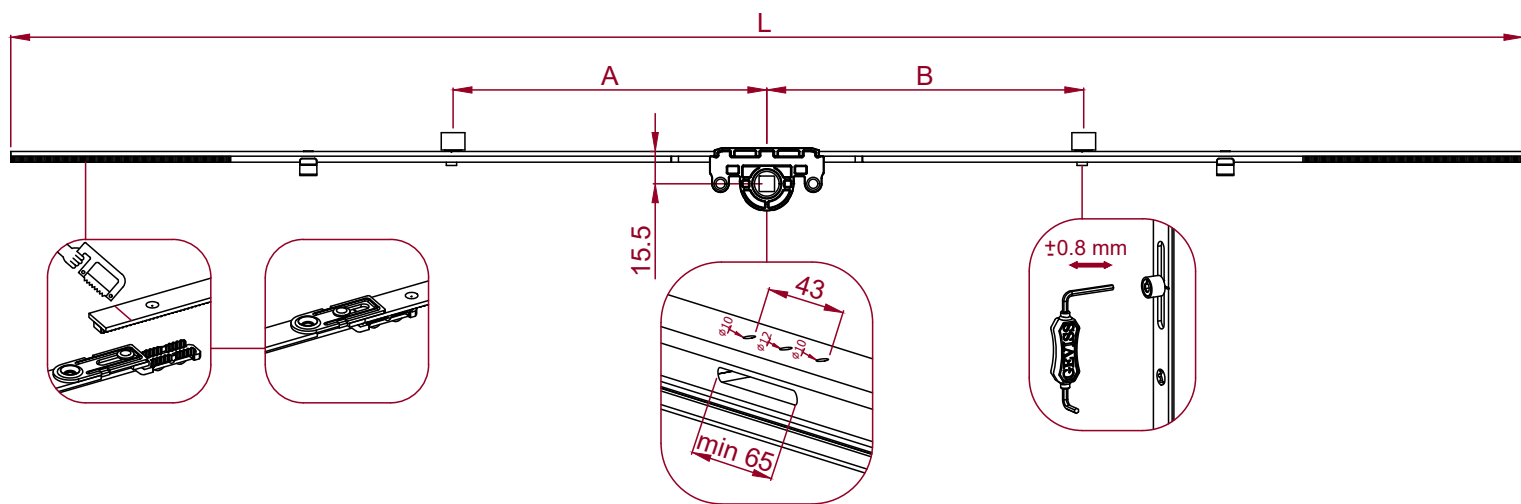


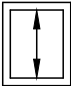



PRODUCT CODE

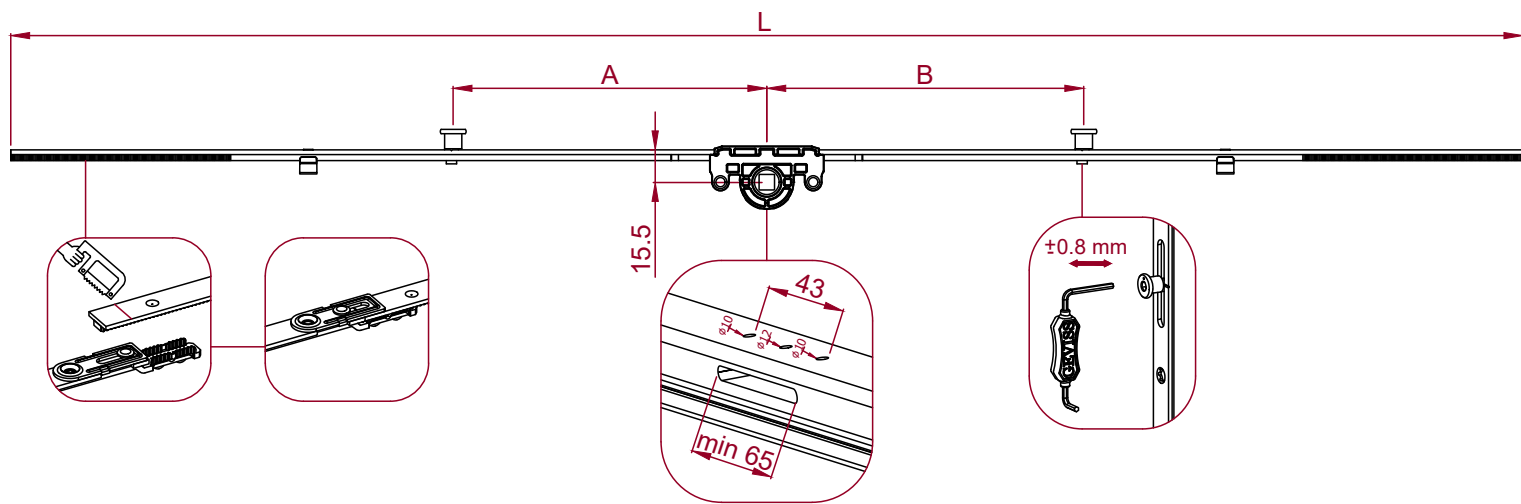
EXPLANATION

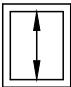





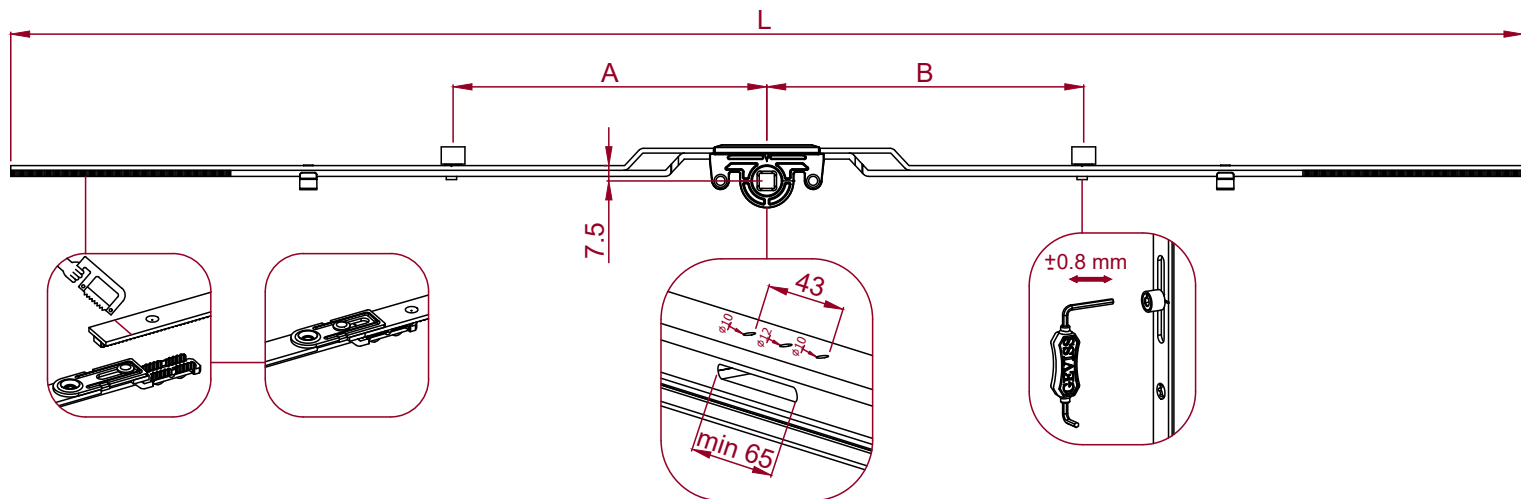
PRODUCT CODE	EXPLANATION				
AKH 101-1	BOTTOM EXTENSION PIECE (FOR SHORT SASH)	700-2200	1	4	50

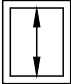





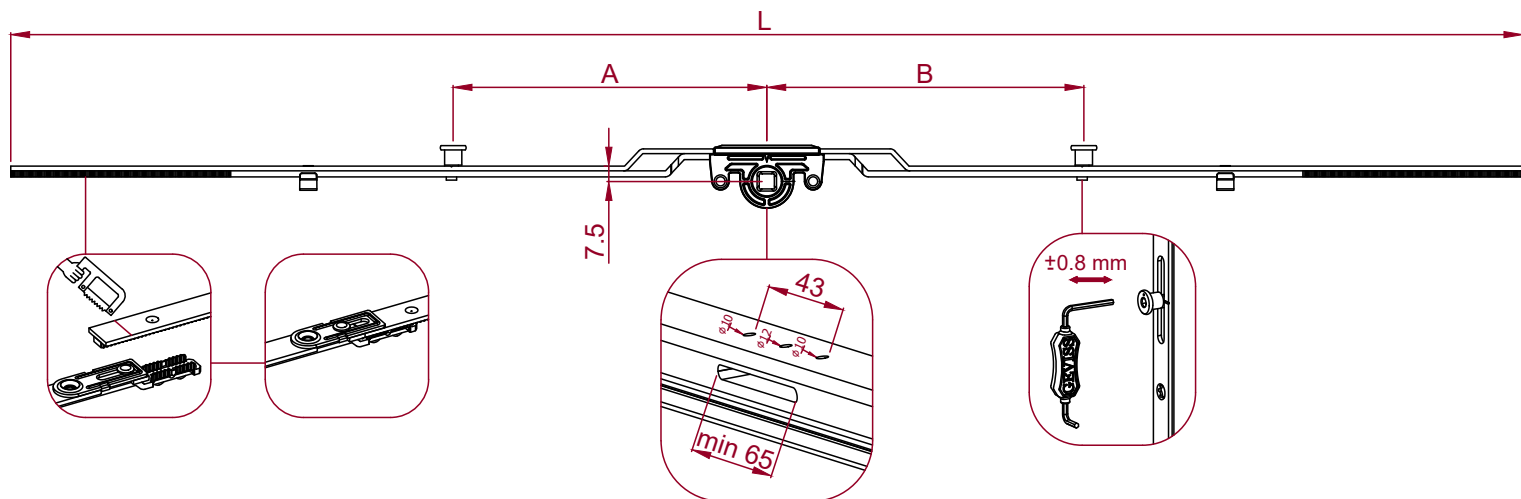
PRODUCT CODE	EXPLANATION		L (mm)	A (mm)	B (mm)				
ISP 202-1	T&T ESPAGNOLETTE		450-680	400	-	-	-	10	
ISP 202-1.5			570-800	500	-	-	-	10	
ISP 202-2			700-1200	905	111	-	1	3	10
ISP 202-2.5			800-1300	1000	111	-	1	3	10
ISP 202-3			900-1400	1110	111	-	1	4	10
ISP 202-4			1200-1700	1400	270	270	2	6	10
ISP 202-5			1700-2200	1900	340	340	2	6	10
ISP 202-6	KYO-ZG 15.5		1950-2450	2150	340	340	2	6	10

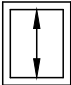





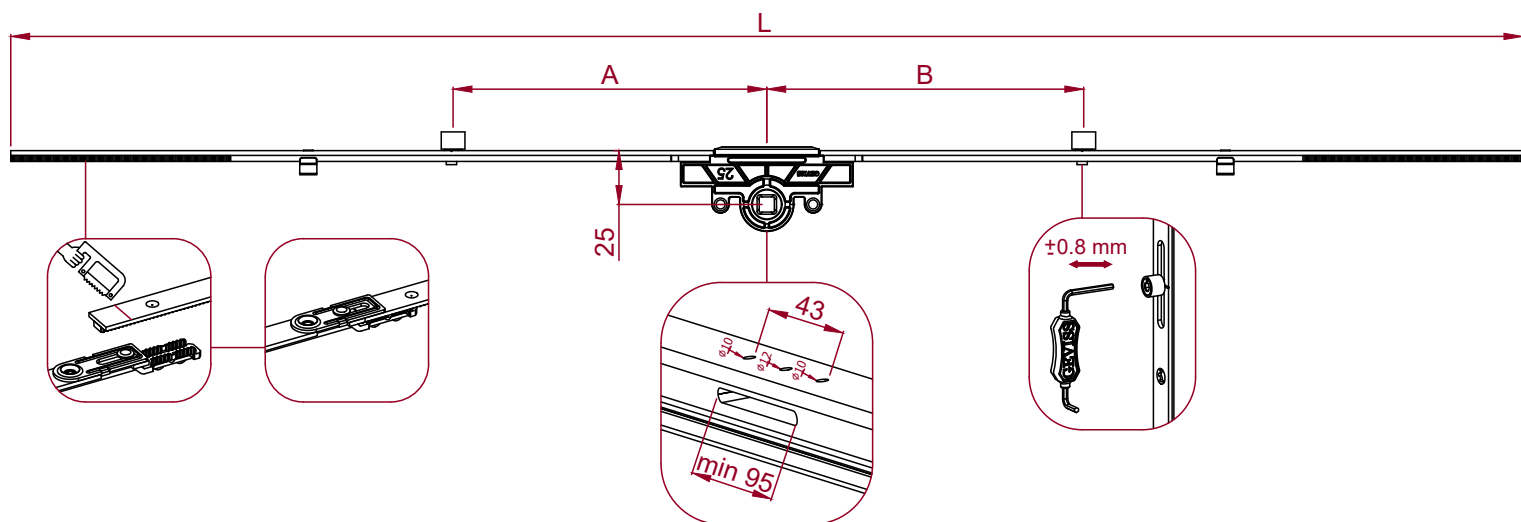
PRODUCT CODE	EXPLANATION		L (mm)	A (mm)	B (mm)				
ISP 202-G2	T&T ESPAGNOLETTE - SECURITY		700-1200	905	111	-	1	3	10
ISP 202-G2.5			800-1300	1000	111	-	1	3	10
ISP 202-G3			900-1400	1110	111	-	1	4	10
ISP 202-G4			1200-1700	1400	270	270	2	6	10
ISP 202-G5			1700-2200	1900	340	340	2	6	10
ISP 202-G6		KYO-ZG 15.5		1950-2450	2150	340	340	2	6

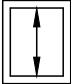





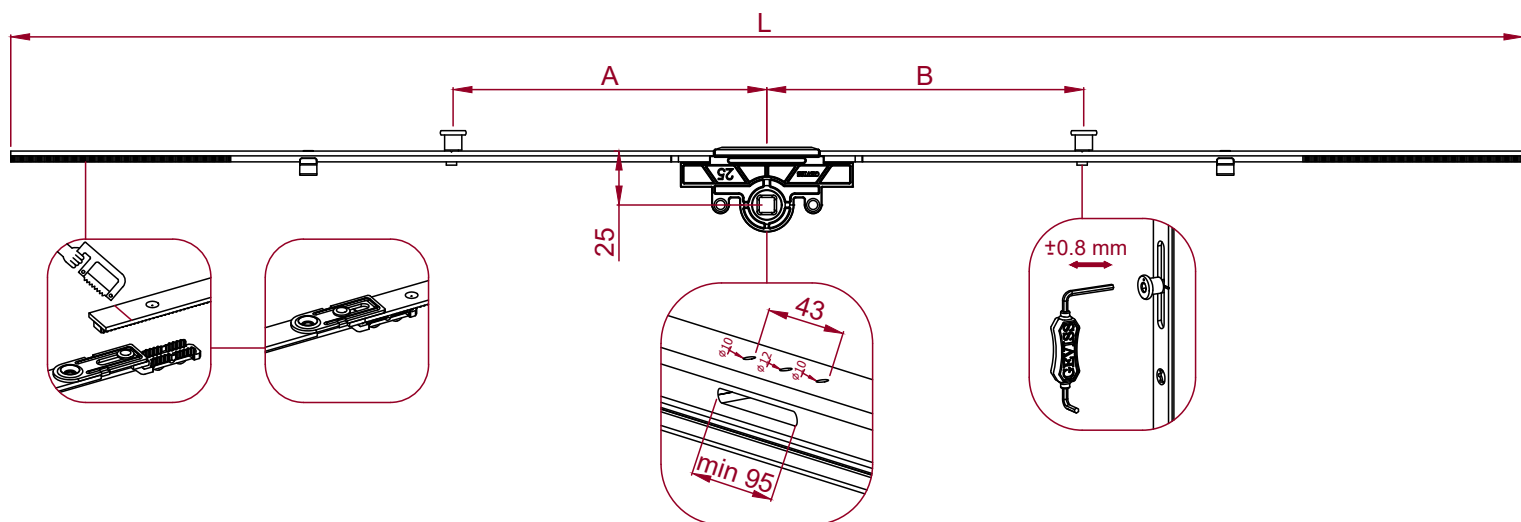
PRODUCT CODE	EXPLANATION		L (mm)	A (mm)	B (mm)				
ISP 202-1/7.5	T&T ESPAGNOLETTE		445-675	395	-	-	-	10	
ISP 202-1.5/7.5			565-795	495	-	-	-	10	
ISP 202-2/7.5			695-1195	900	108	-	1	3	10
ISP 202-2.5/7.5			795-1295	995	108	-	1	3	10
ISP 202-3/7.5			895-1395	1105	108	-	1	4	10
ISP 202-4/7.5			1195-1695	1395	267	267	2	6	10
ISP 202-5/7.5			1695-2195	1895	337	337	2	6	10
ISP 202-6/7.5	KYO-ZG 7.5		1945-2445	2145	337	337	2	6	10

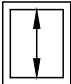





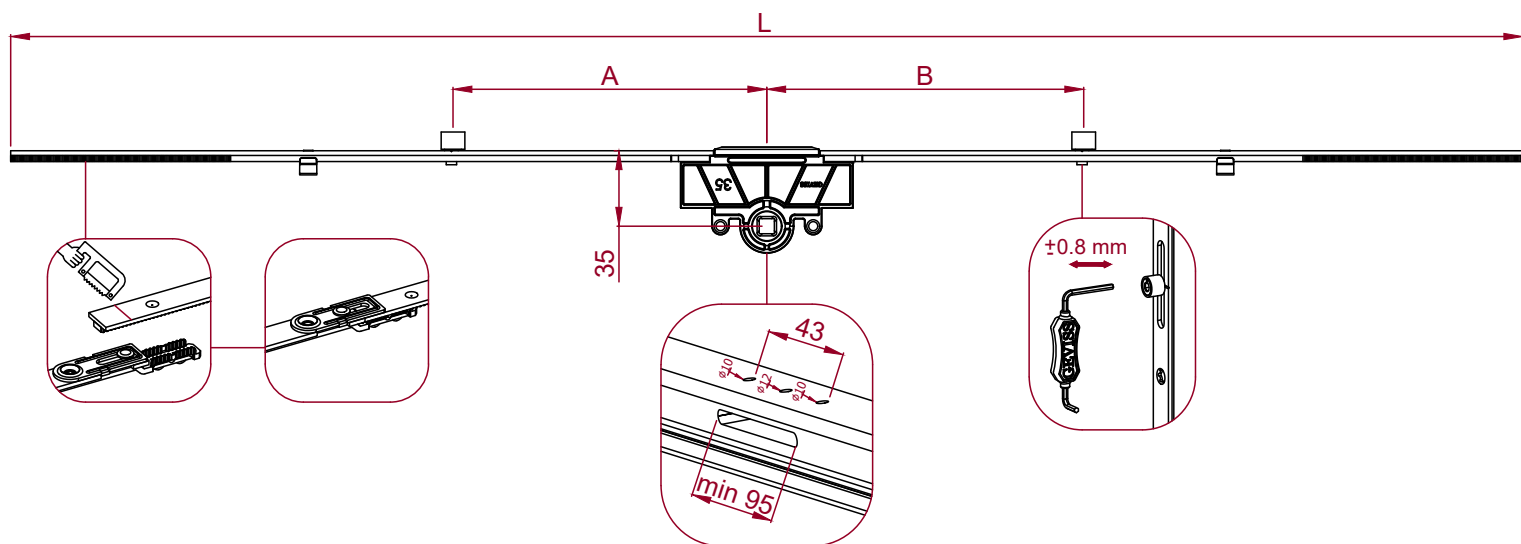
PRODUCT CODE	EXPLANATION		L (mm)	A (mm)	B (mm)				
ISP 202-G2/7.5	T&T ESPAGNOLETTE - SECURY		695-1195	900	108	-	1	3	10
ISP 202-G2.5/7.5			795-1295	995	108	-	1	3	10
ISP 202-G3/7.5			895-1395	1105	108	-	1	4	10
ISP 202-G4/7.5			1195-1695	1395	267	267	2	6	10
ISP 202-G5/7.5			1695-2195	1895	337	337	2	6	10
ISP 202-G6/7.5	KYO-ZG 7.5		1945-2445	2145	337	337	2	6	10



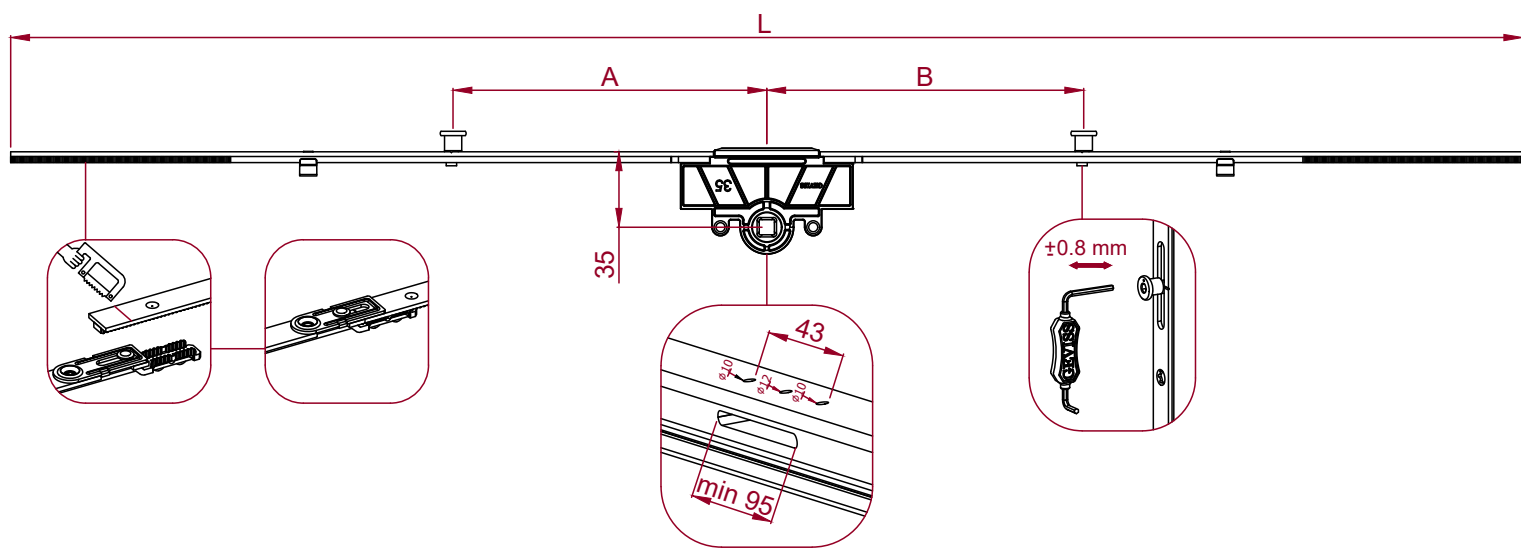
PRODUCT CODE	EXPLANATION		L (mm)	A (mm)	B (mm)				
ISP 202-1/25	T&T ESPAGNOLETTE		450-680	400	-	-	-	15	
ISP 202-1.5/25			570-800	500	-	-	-	15	
ISP 202-2/25			700-1200	905	111	-	1	3	15
ISP 202-2.5/25			800-1300	1000	111	-	1	3	15
ISP 202-3/25			900-1400	1110	111	-	1	4	15
ISP 202-4/25			1200-1700	1400	270	270	2	6	15
ISP 202-5/25			1700-2200	1900	340	340	2	6	15
ISP 202-6/25		KYO-ZG 25		1950-2450	2150	340	340	2	6



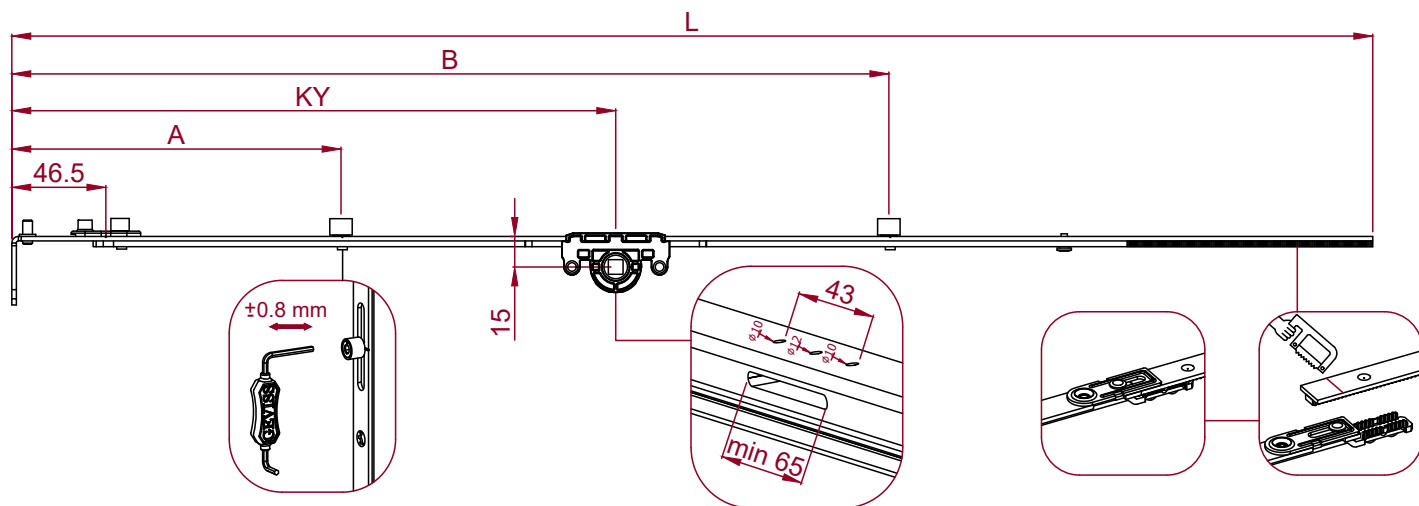
PRODUCT CODE	EXPLANATION		L (mm)	A (mm)	B (mm)			
ISP 202-G2/25	T&T ESPAGNOLETTE - SECURITY		700-1200	905	111	-	3	15
ISP 202-G2.5/25			800-1300	1000	111	-	3	15
ISP 202-G3/25			900-1400	1110	111	-	4	15
ISP 202-G4/25			1200-1700	1400	270	270	6	15
ISP 202-G5/25			1700-2200	1900	340	340	6	15
ISP 202-G6/25		KYO-ZG 25		1950-2450	2150	340	340	6

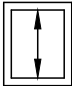





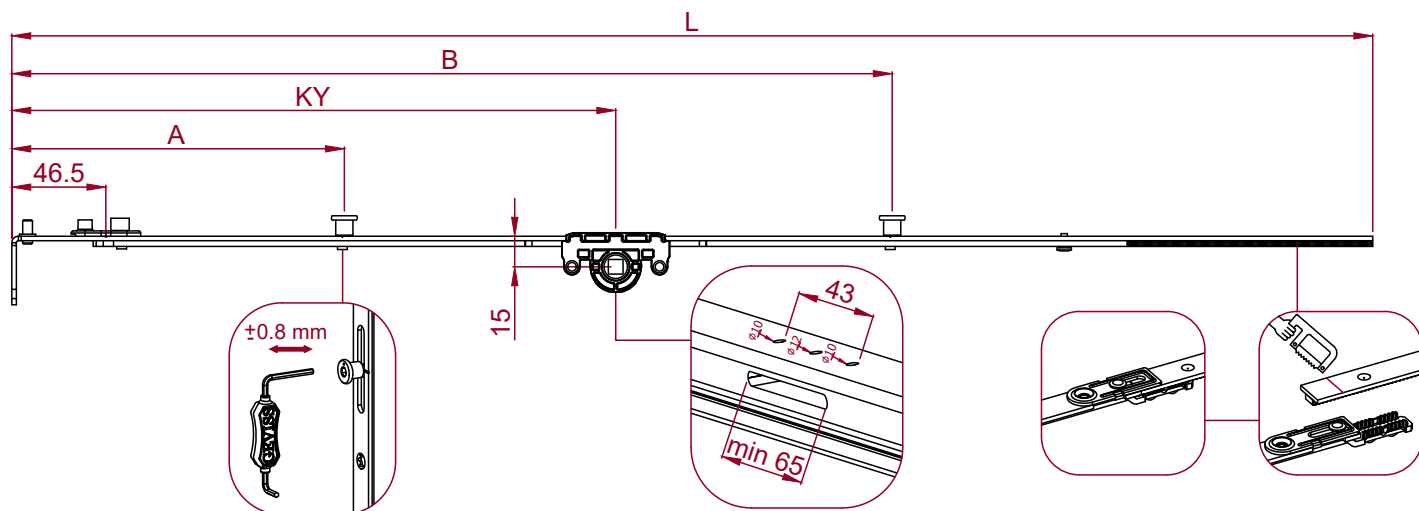
PRODUCT CODE	EXPLANATION		L (mm)	A (mm)	B (mm)			
ISP 202-1/35	T&T ESPAGNOLETTE	450-680	400	-	-	-	-	10
ISP 202-1.5/35		570-800	500	-	-	-	-	10
ISP 202-2/35		700-1200	905	111	-	1	3	10
ISP 202-2.5/35		800-1300	1000	111	-	1	3	10
ISP 202-3/35		900-1400	1110	111	-	1	4	10
ISP 202-4/35		1200-1700	1400	270	270	2	6	10
ISP 202-5/35		KYO-ZG 35	1700-2200	1900	340	340	2	6
ISP 202-6/35	1950-2450		2150	340	340	2	6	10

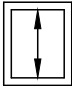

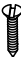



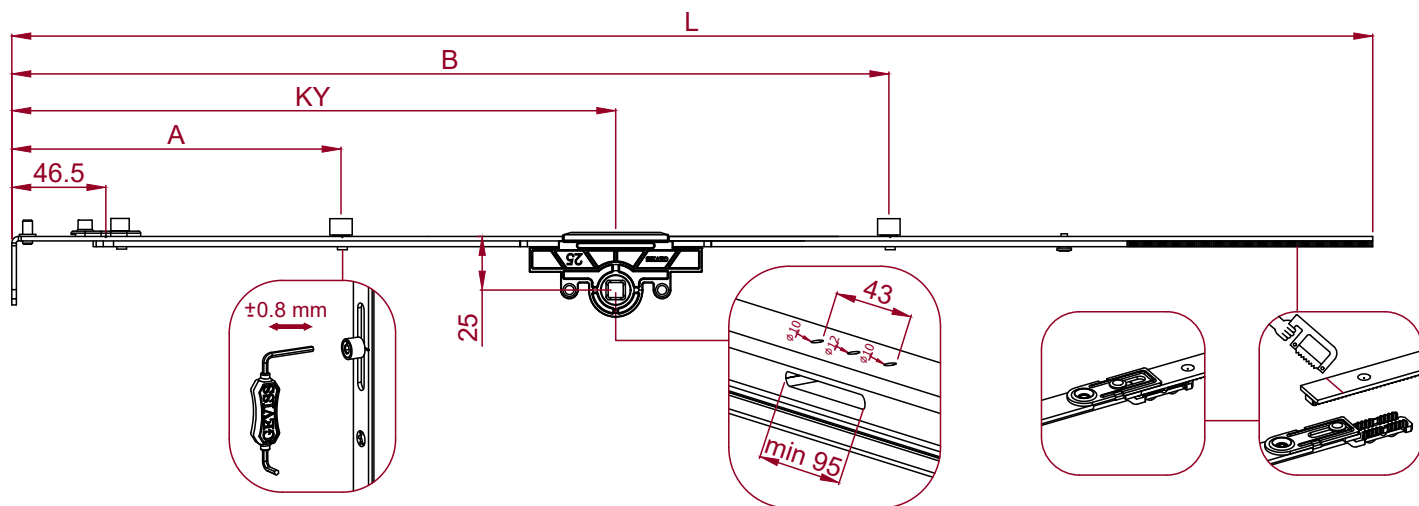
PRODUCT CODE	EXPLANATION		L (mm)	A (mm)	B (mm)			
ISP 202-G2/35	T&T ESPAGNOLETTE - SECURITY	700-1200	905	111	-	1	3	10
ISP 202-G2.5/35		800-1300	1000	111	-	1	3	10
ISP 202-G3/35		900-1400	1110	111	-	1	4	10
ISP 202-G4/35		1200-1700	1400	270	270	2	6	10
ISP 202-G5/35		1700-2200	1900	340	340	2	6	10
ISP 202-G6/35	KYO-ZG 35	1950-2450	2150	340	340	2	6	10

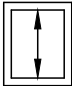





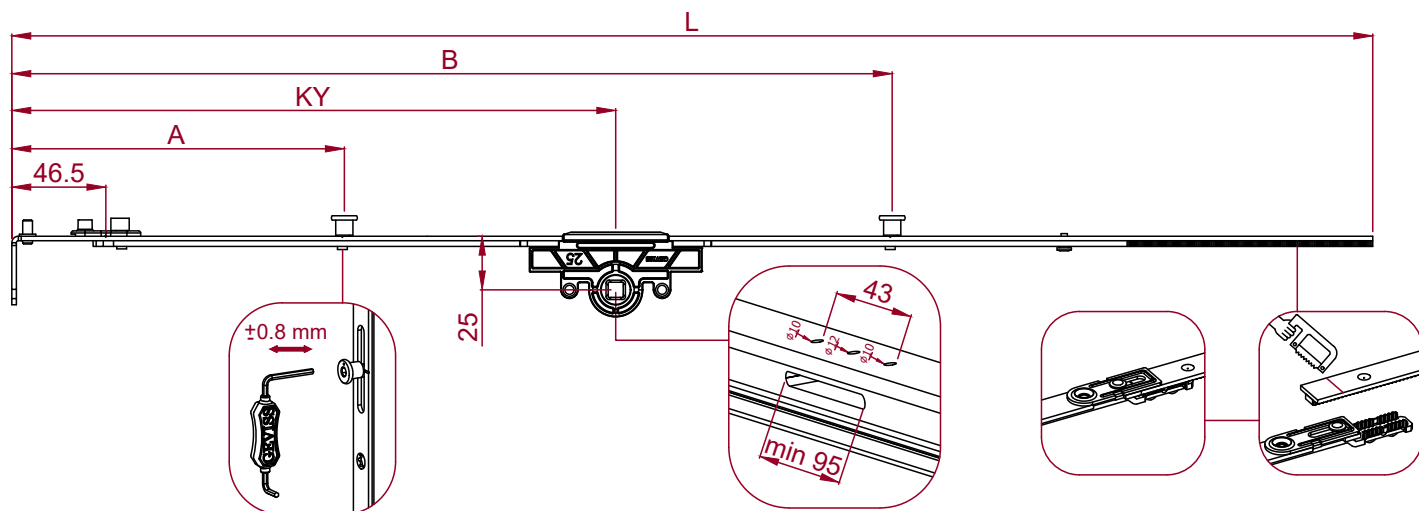
PRODUCT CODE	EXPLANATION		L (mm)	KY (mm)	A (mm)	B (mm)				
KYS-S01	FIXED HANDLE PLACE ESPAGNOLETTE		400-650	500	-	-	-	3	10	
KYS-S02			620-870	720	-	-	-	5	10	
KYS-S03			850-1100	950	415	-	524	1	7	10
KYS-S04			1000-1250	1100	515	-	624	1	8	10
KYS-S05			1250-1500	1350	565	-	674	1	9	10
KYS-S06			1500-1750	1600	565	674	1110	2	10	10
KYS-S07			1600-1850	1700	1000	680	1110	2	10	10
KYS-S08			1750-2000	1850	1000	680	1350	2	10	10
KYS-S09		KYS-ZG 15.5		2000-2250	2100	1000	680	1350	2	11

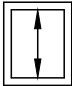

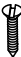



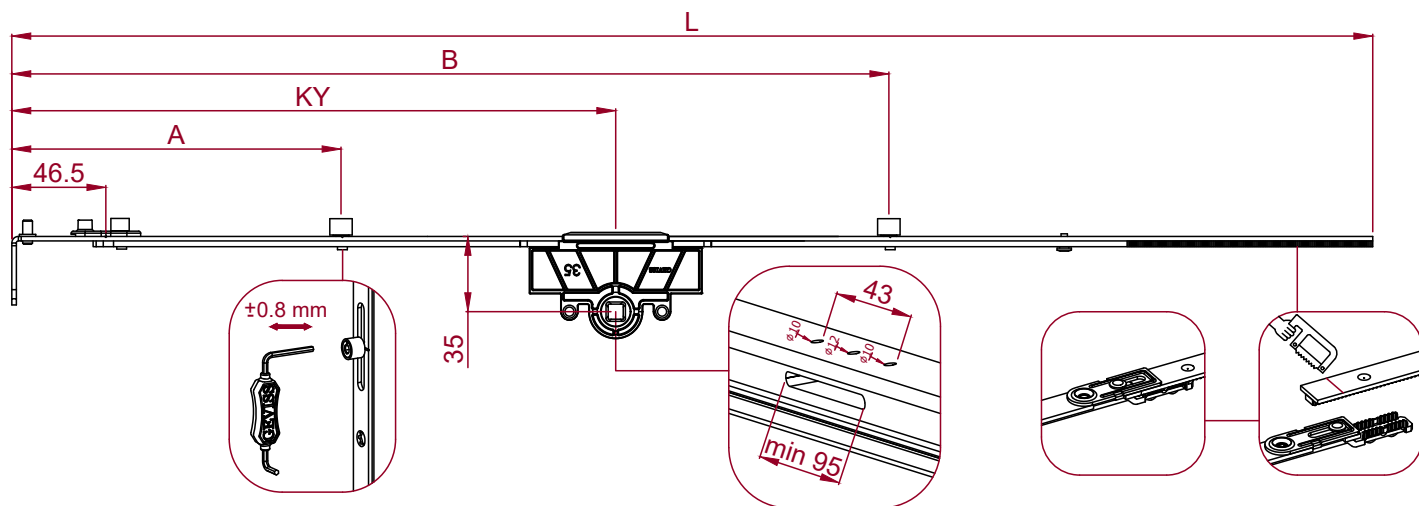
PRODUCT CODE	EXPLANATION		L (mm)	KY (mm)	A (mm)	B (mm)					
KYS-G03	FIXED HANDLE PLACE ESPAGNOLETTE - SECURITY		850-1100	950	415	-	524	1	7	10	
KYS-G04			1000-1250	1100	515	-	624	1	8	10	
KYS-G05			1250-1500	1350	565	-	674	1	9	10	
KYS-G06			1500-1750	1600	565	674	1110	2	10	10	
KYS-G07			1600-1850	1700	1000	680	1110	2	10	10	
KYS-G08			1750-2000	1850	1000	680	1350	2	10	10	
KYS-G09		KYS-ZG 15.5		2000-2250	2100	1000	680	1350	2	11	10



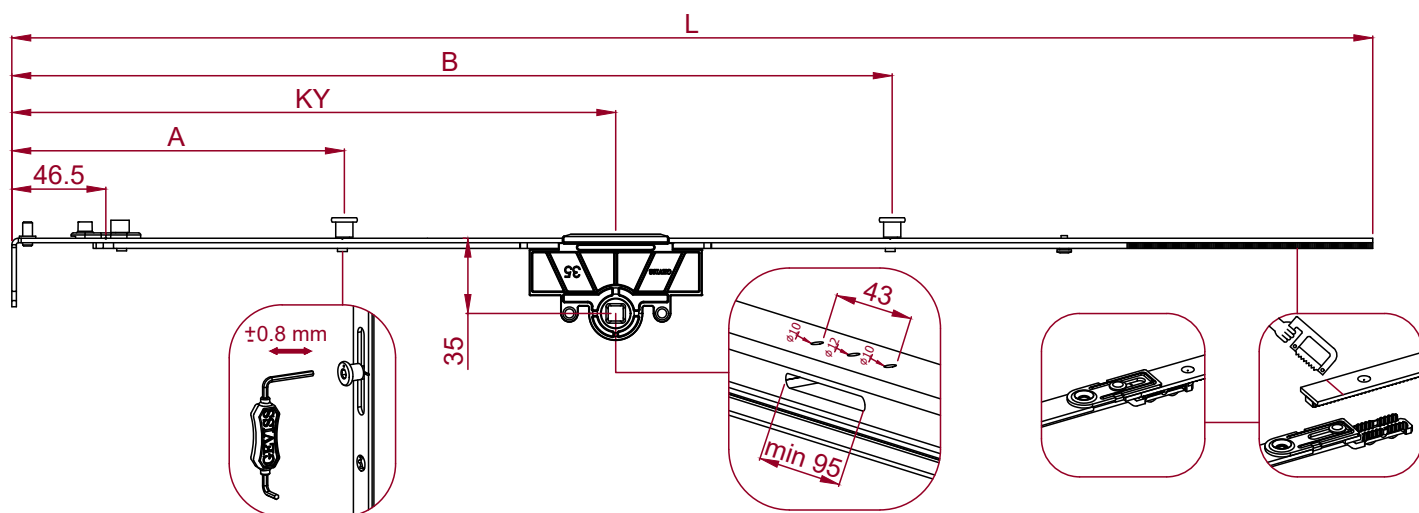
PRODUCT CODE	EXPLANATION		L (mm)	KY (mm)	A (mm)	B (mm)				
KYS-S01/25	FIXED HANDLE PLACE ESPAGNOLETTE		400-650	500	-	-	-	3	15	
KYS-S02/25			620-870	720	-	-	-	5	15	
KYS-S03/25			850-1100	950	415	-	524	1	7	15
KYS-S04/25			1000-1250	1100	515	-	624	1	8	15
KYS-S05/25			1250-1500	1350	565	-	674	1	9	15
KYS-S06/25			1500-1750	1600	565	674	1110	2	10	15
KYS-S07/25			1600-1850	1700	1000	680	1110	2	10	15
KYS-S08/25			1750-2000	1850	1000	680	1350	2	10	15
KYS-S09/25		KYS-ZG 25		2000-2250	2100	1000	680	1350	2	11



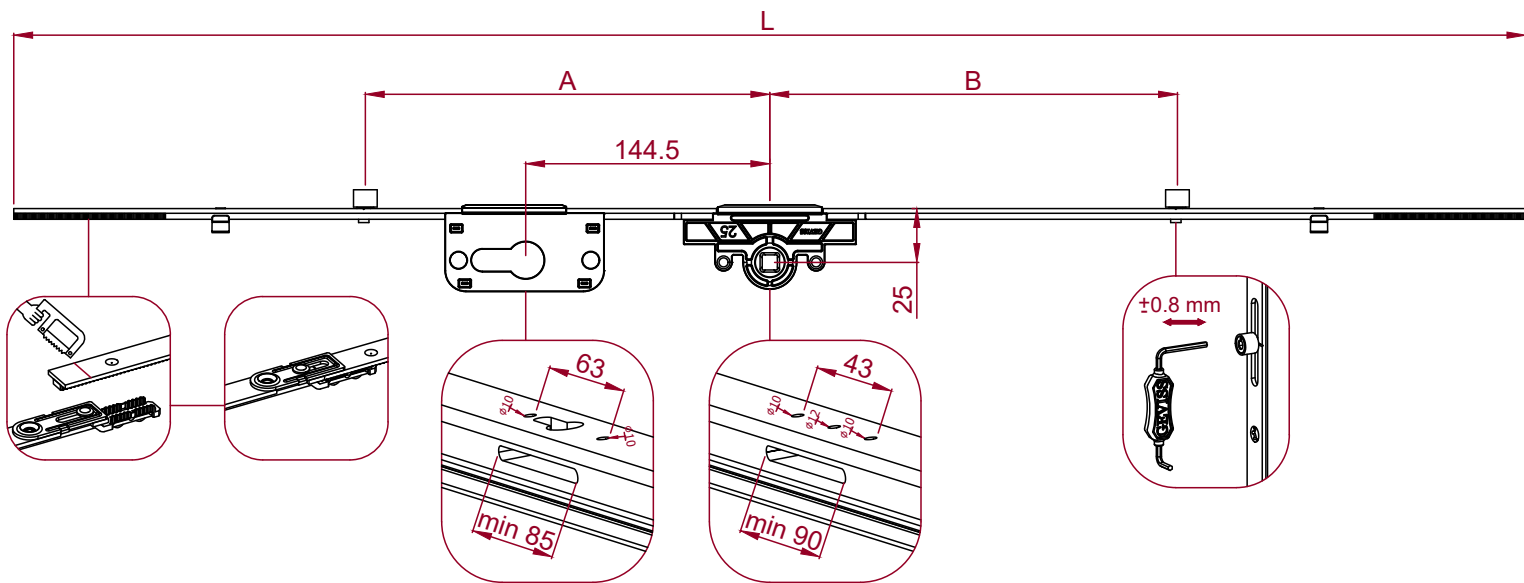
PRODUCT CODE	EXPLANATION		L (mm)	KY (mm)	A (mm)	B (mm)					
KYS-G03/25	FIXED HANDLE PLACE ESPAGNOLETTE - SECURITY		850-1100	950	415	-	524	1	7	15	
KYS-G04/25			1000-1250	1100	515	-	624	1	8	15	
KYS-G05/25			1250-1500	1350	565	-	674	1	9	15	
KYS-G06/25			1500-1750	1600	565	674	1110	2	10	15	
KYS-G07/25			1600-1850	1700	1000	680	1110	2	10	15	
KYS-G08/25			1750-2000	1850	1000	680	1350	2	10	15	
KYS-G09/25		KYS-ZG 25		2000-2250	2100	1000	680	1350	2	11	15

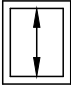

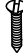



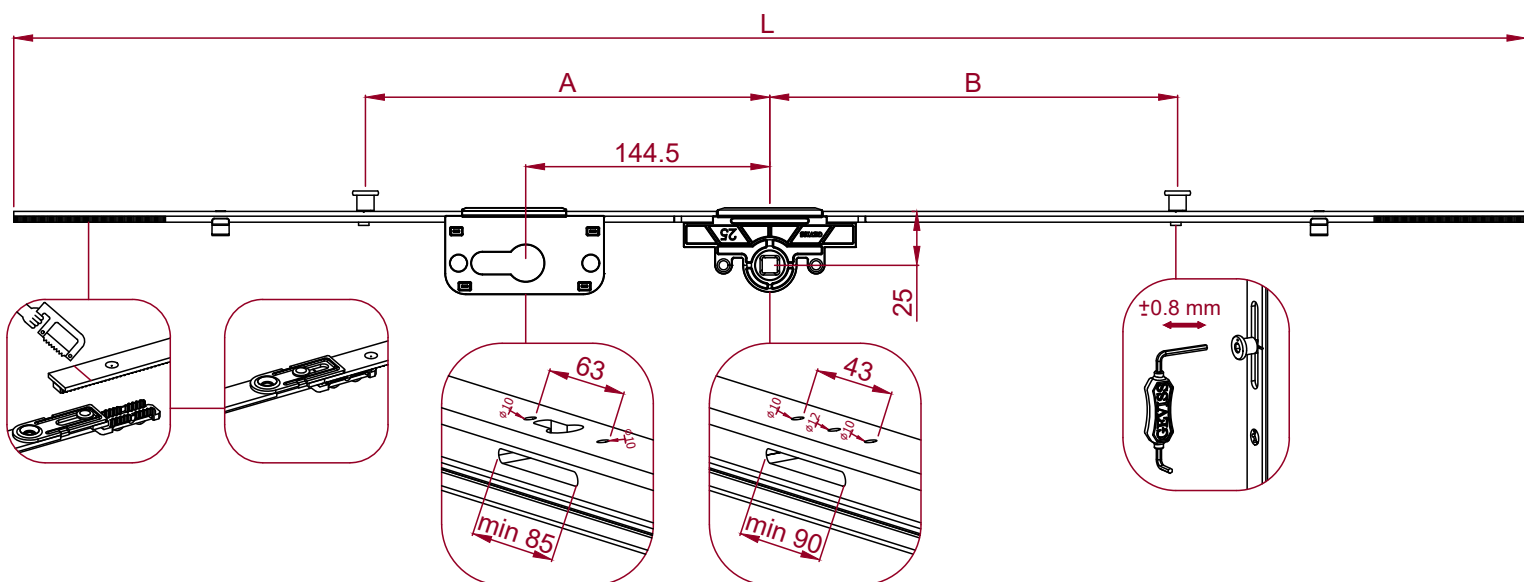
PRODUCT CODE	EXPLANATION		L (mm)	KY (mm)	A (mm)	B (mm)			
KYS-S01/35	FIXED HANDLE PLACE ESPAGNOLETTE	400-650	500	170	-	-	-	3	10
KYS-S02/35		620-870	720	285	-	-	-	5	10
KYS-S03/35		850-1100	950	415	-	524	1	7	10
KYS-S04/35		1000-1250	1100	515	-	624	1	8	10
KYS-S05/35		1250-1500	1350	565	-	674	1	9	10
KYS-S06/35		1500-1750	1600	565	674	1110	2	10	10
KYS-S07/35		1600-1850	1700	1000	680	1110	2	10	10
KYS-S08/35		1750-2000	1850	1000	680	1350	2	10	10
KYS-S09/35	KYS-ZG 35	2000-2250	2100	1000	680	1350	2	11	10

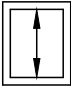
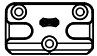




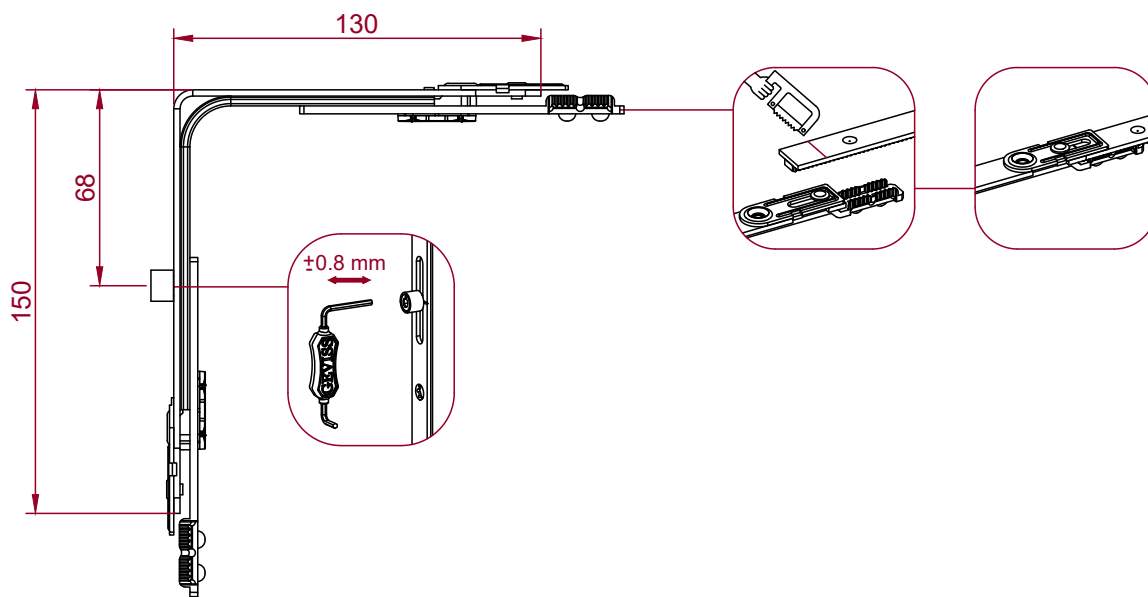
PRODUCT CODE	EXPLANATION		L (mm)	KY (mm)	A (mm)	B (mm)			
KYS-G03/35	FIXED HANDLE PLACE ESPAGNOLETTE - SECURITY	850-1100	950	415	-	524	1	7	10
KYS-G04/35		1000-1250	1100	515	-	624	1	8	10
KYS-G05/35		1250-1500	1350	565	-	674	1	9	10
KYS-G06/35		1500-1750	1600	565	674	1110	2	10	10
KYS-G07/35		1600-1850	1700	1000	680	1110	2	10	10
KYS-G08/35		1750-2000	1850	1000	680	1350	2	10	10
KYS-G09/35	KYS-ZG 35	2000-2250	2100	1000	680	1350	2	11	10



PRODUCT CODE	EXPLANATION		L (mm)	A (mm)	B (mm)				
CA 25-BRL/2.5	TILT & TURN GEAR FOR CYLINDER LOCKING KYO-ZG 25		800-1300	1000	-	111	1	3	10
CA 25-BRL/3			900-1400	1110	-	111	1	4	10
CA 25-BRL/4			1200-1700	1400	270	270	2	6	10
CA 25-BRL/5			1700-2200	1900	340	340	2	6	10
CA 25-BRL/6			1950-2450	2150	340	340	2	6	10



PRODUCT CODE	EXPLANATION		L (mm)	A (mm)	B (mm)				
CA 25-BRL/G2.5	TILT & TURN GEAR FOR CYLINDER LOCKING SECURITY KYO-ZG 25		800-1300	1000	-	111	1	3	10
CA 25-BRL/G3			900-1400	1110	-	111	1	4	10
CA 25-BRL/G4			1200-1700	1400	270	270	2	6	10
CA 25-BRL/G5			1700-2200	1900	340	340	2	6	10
CA 25-BRL/G6			1950-2450	2150	340	340	2	6	10



PRODUCT CODE

EXPLANATION



KDH 303

CORNER TRANSMISSION

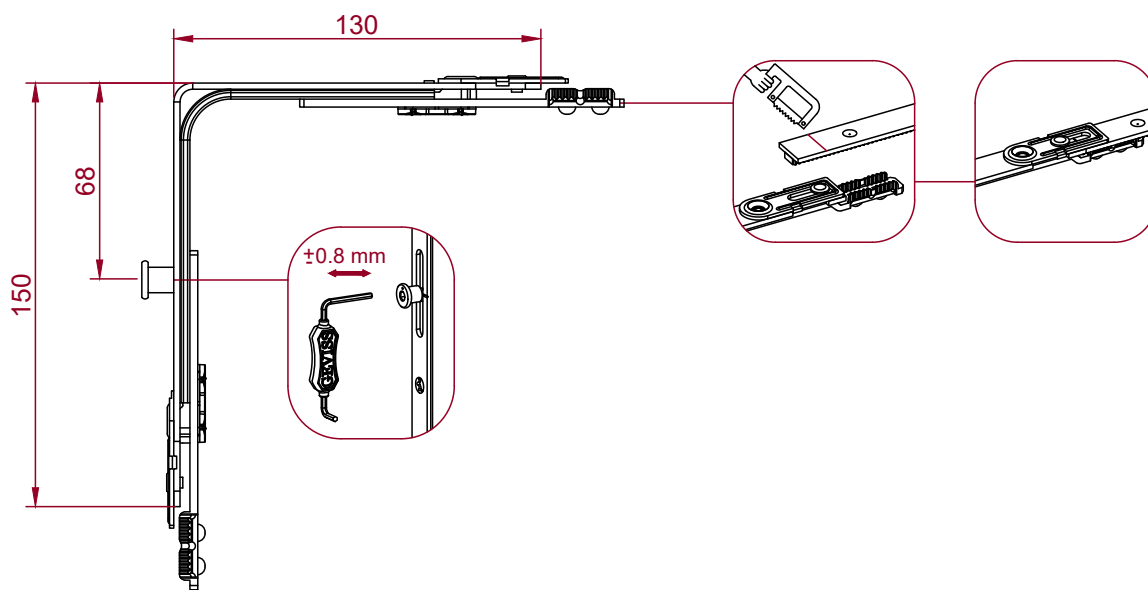
350-1350

450-2450

1

4

50



PRODUCT CODE

EXPLANATION



MBK 703

**CORNER TRANSMISSION
WITH MUSHROOM PIN [SINGLE PIN]**

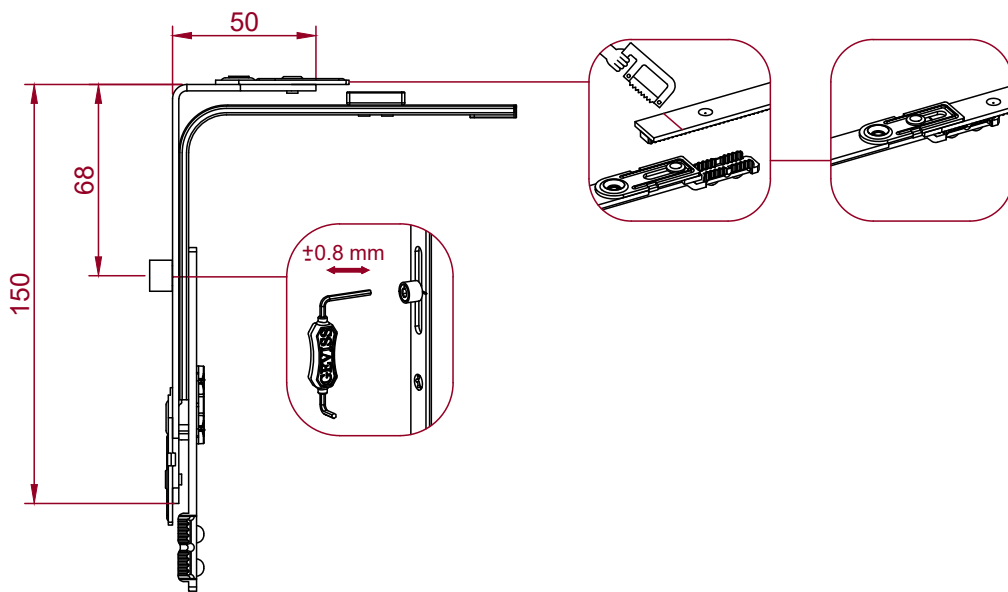
350-1350

450-2450

1

4

50



PRODUCT CODE

EXPLANATION



KKH 503

SHORT CORNER TRANSMISSION

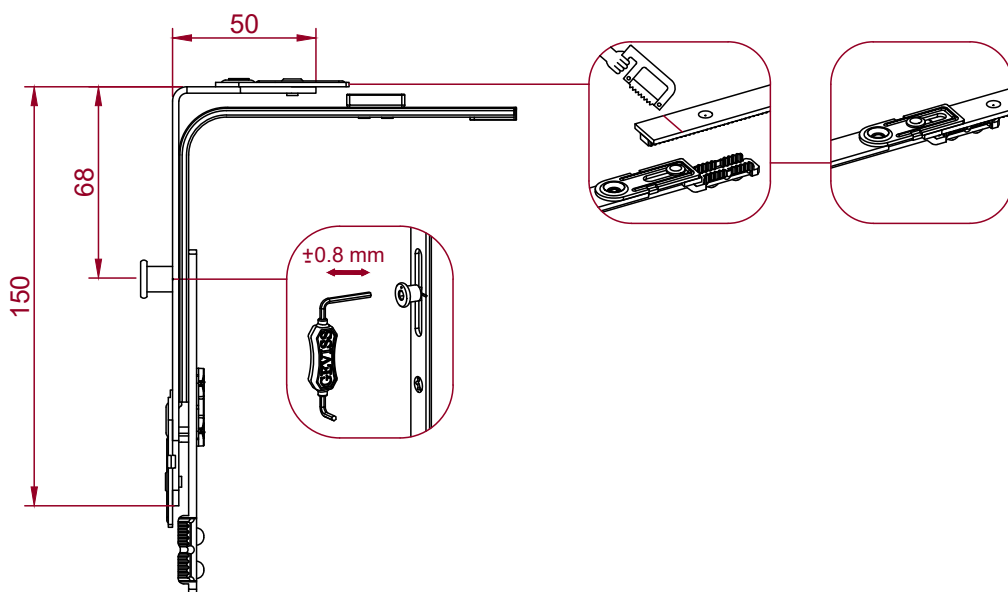
280-1350

450-2450

1

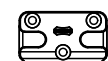
4

50



PRODUCT CODE

EXPLANATION



KKH 503-G

SHORT CORNER TRANSMISSION
SECURITY

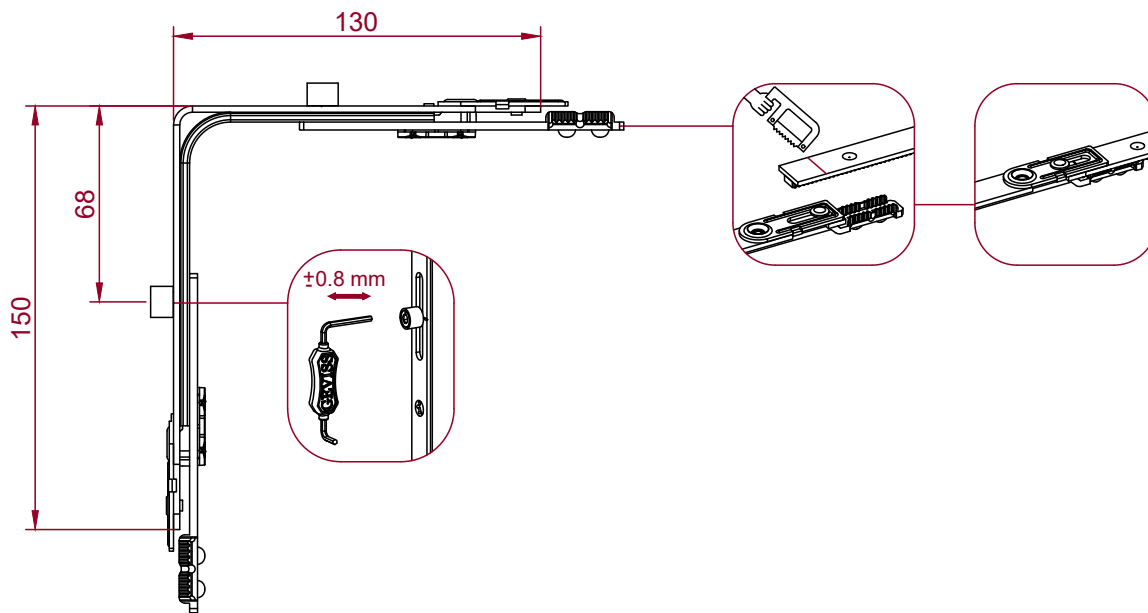
280-1350

450-2450

1

4

50



PRODUCT CODE

EXPLANATION



KDH 303-1

CORNER TRANSMISSION (DOUBLE PIN)

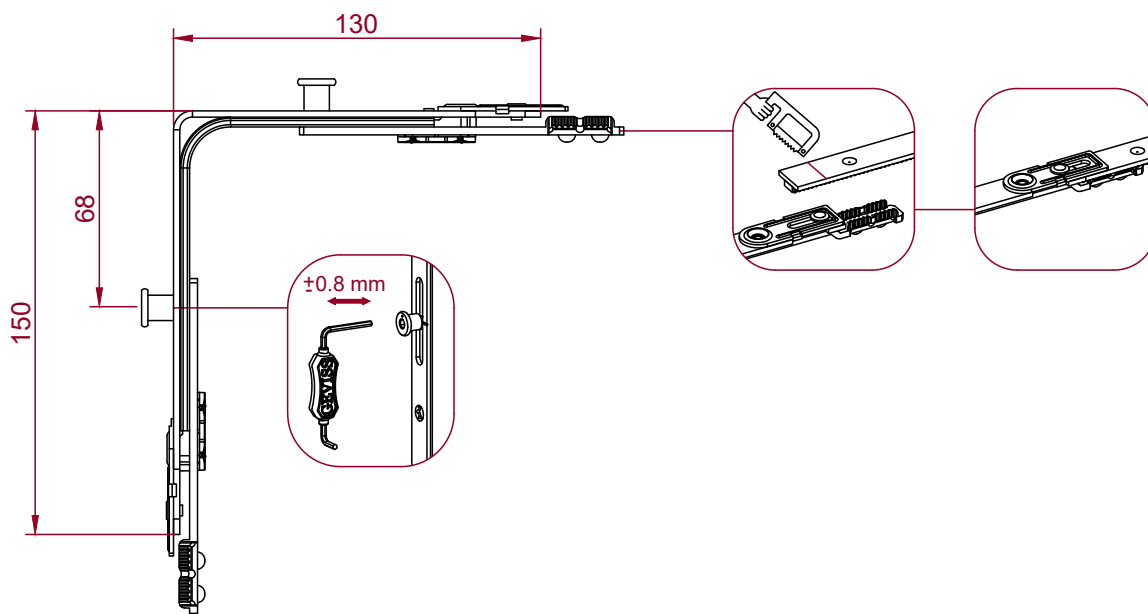
350-1350

450-2450

2

4

50



PRODUCT CODE

EXPLANATION



MBK 603

CORNER TRANSMISSION WITH
MUSHROOM PIN (DOUBLE PIN)

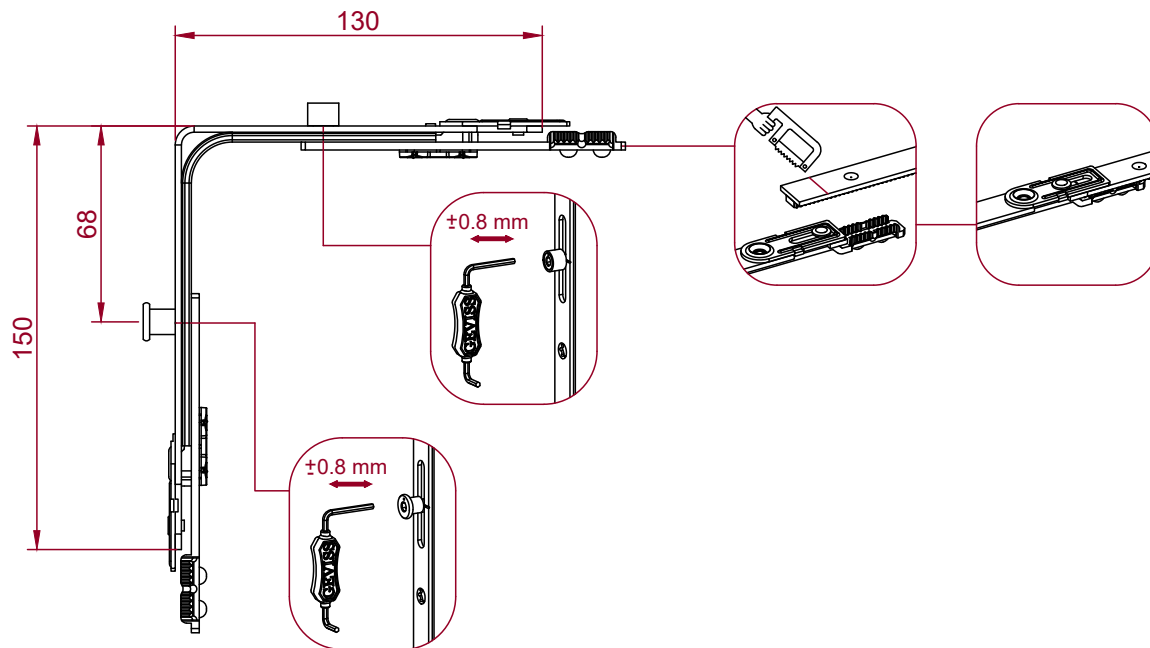
350-1350

450-2450

2

4

50



ÜRÜN KODU

AÇIKLAMA



MBK 803

MANTAR BAŞLI KÖŞE

350-1350

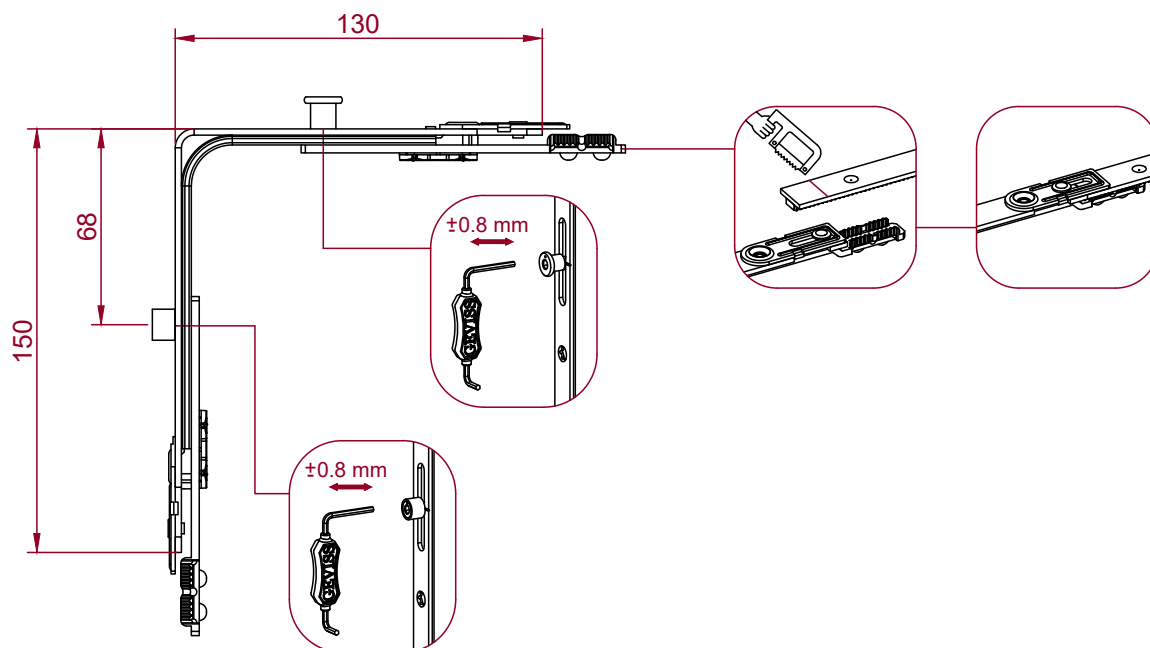
450-2450

1

1

4

50



PRODUCT CODE

EXPLANATION



MBK 903

MUSHROOM PIN TYPE CORNER

350-1350

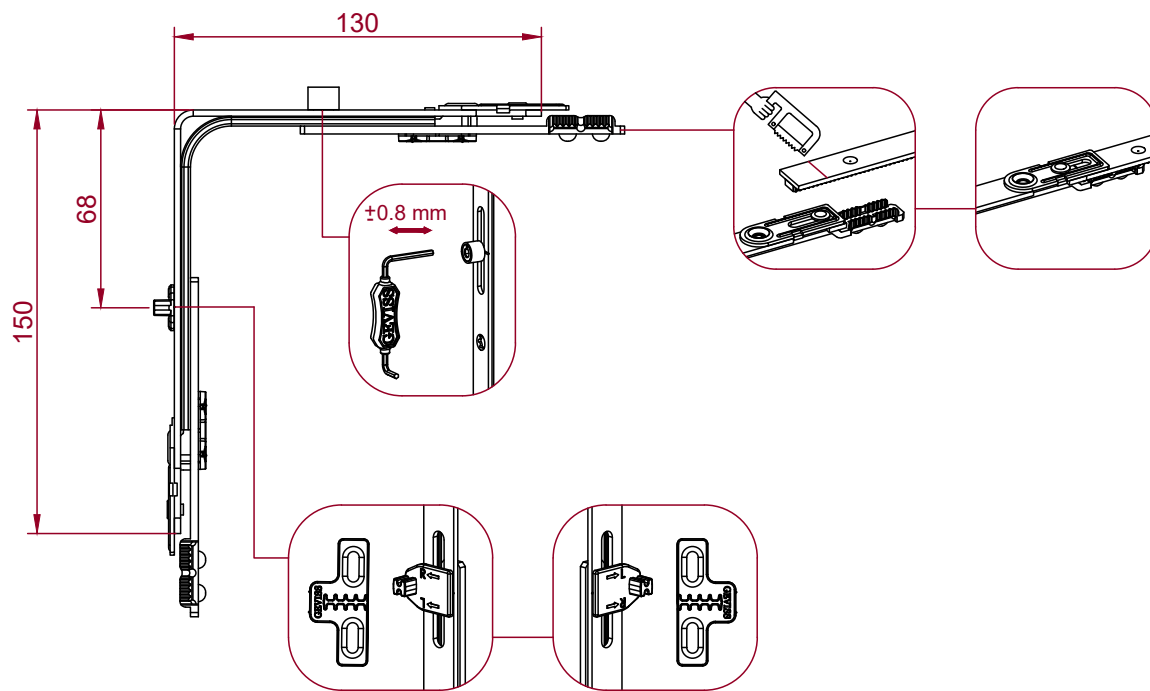
450-2450

1

1

4

50

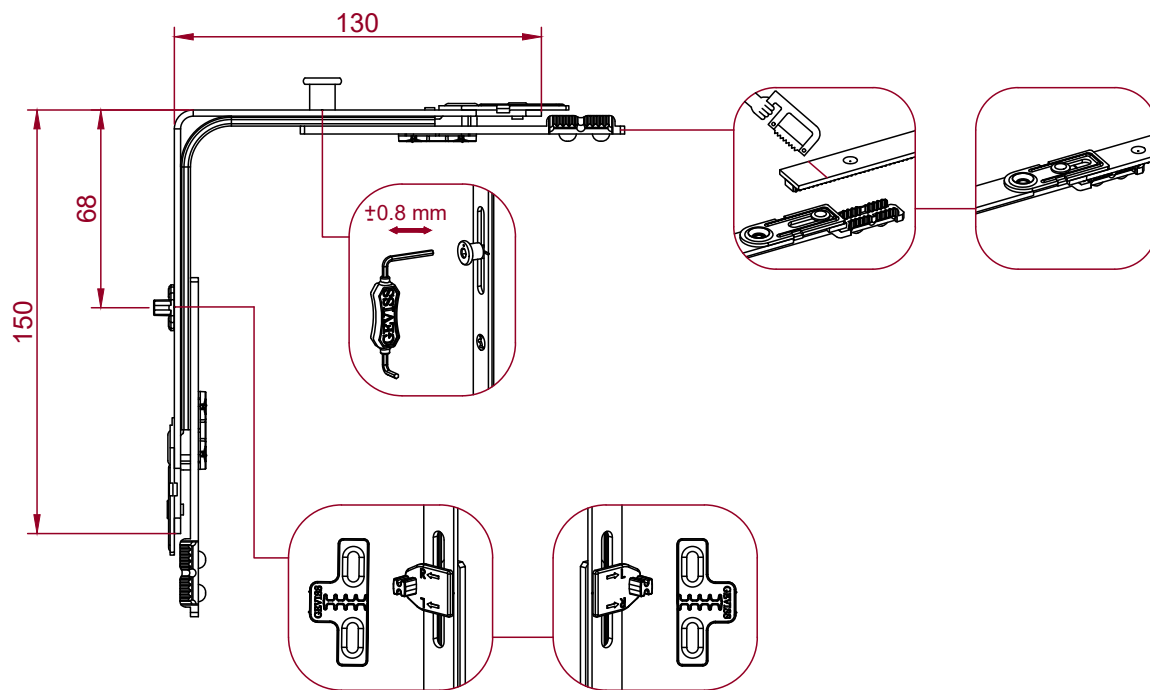


PRODUCT CODE

EXPLANATION



PRODUCT CODE	EXPLANATION	50-1350	450-2450	1	1	4	50
AHK 912/R	STEPPED MICROVENTILATION CORNER - RIGHT	350-1350	450-2450	1	1	4	50
AHK 912/L	STEPPED MICROVENTILATION CORNER - LEFT	350-1350	450-2450	1	1	4	50

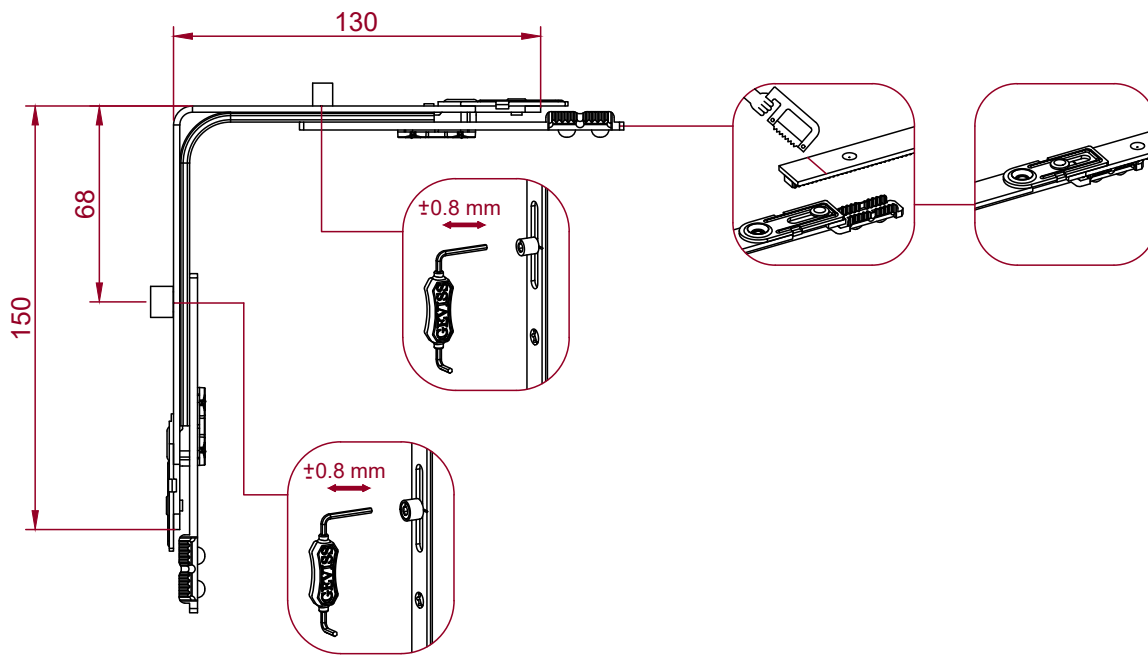


PRODUCT CODE

EXPLANATION



PRODUCT CODE	EXPLANATION	50-1350	450-2450	1	1	4	50
AHK 912/R-G	STEPPED MICROVENTILATION CORNER - RIGHT SECURITY	350-1350	450-2450	1	1	4	50
AHK 912/L-G	STEPPED MICROVENTILATION CORNER - LEFT SECURITY	350-1350	450-2450	1	1	4	50



PRODUCT CODE

EXPLANATION



GHK 322

**CORNER TRANSMISSION WITH
MICROVENTILATION**

350-1350

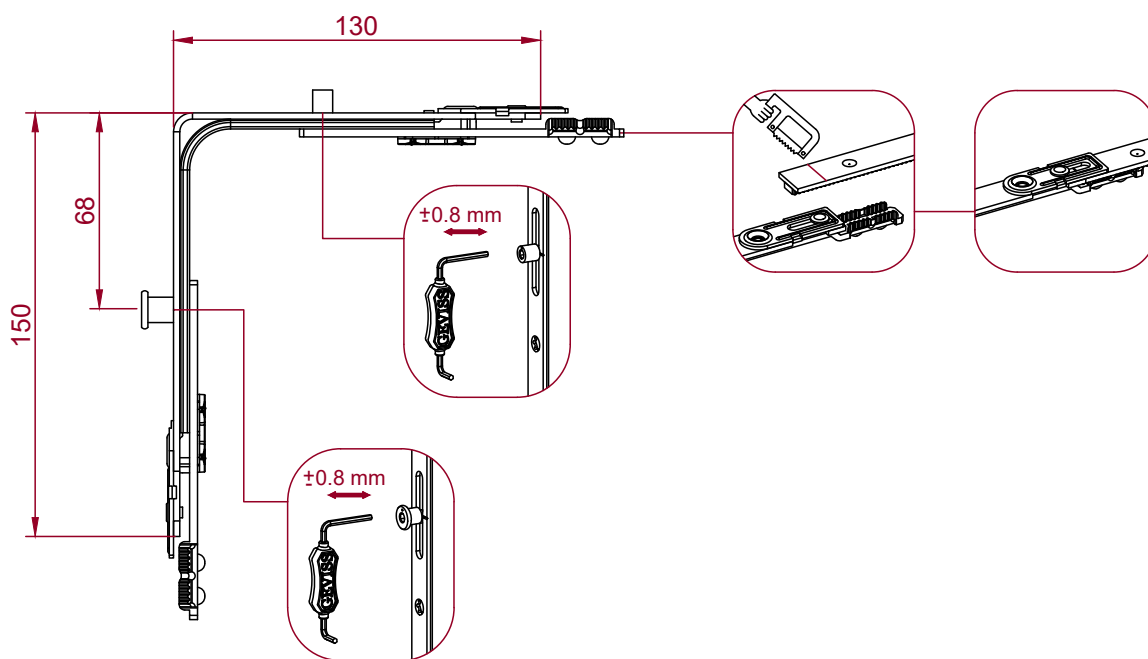
450-2450

1

1

4

50



PRODUCT CODE

EXPLANATION



GHK 322-G

**CORNER TRANSMISSION WITH
MICROVENTILATION - SECURITY**

350-1350

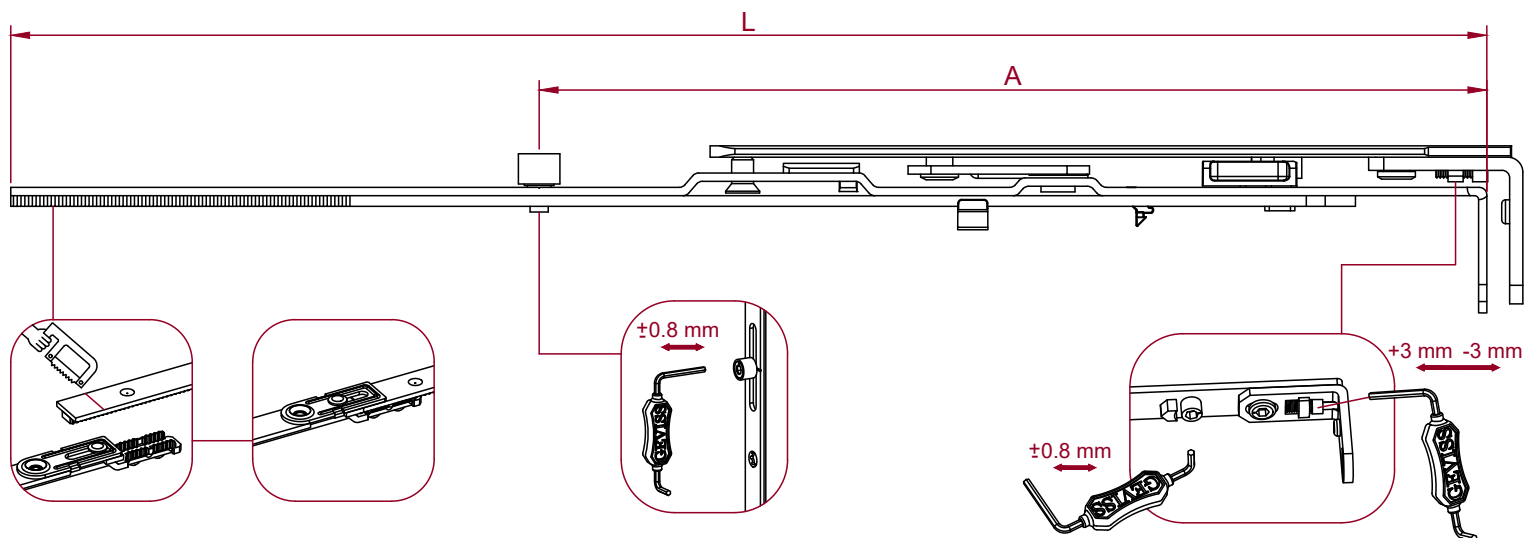
450-2450

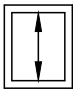



1

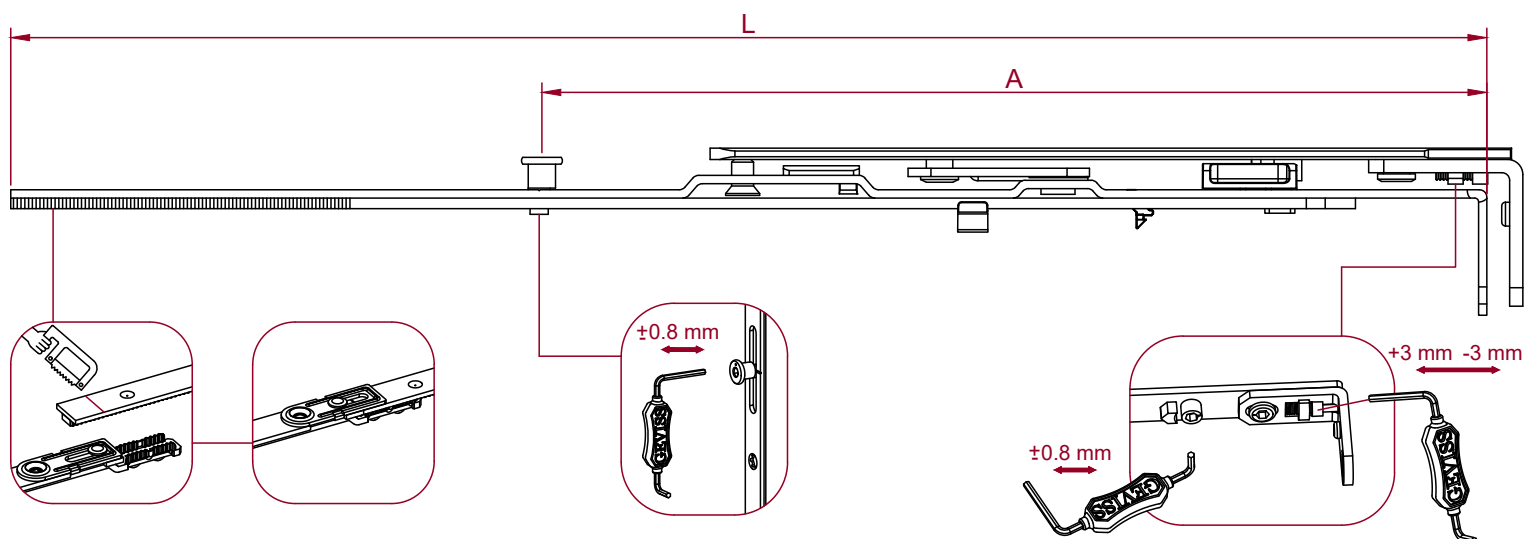
1

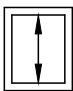
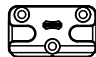


4

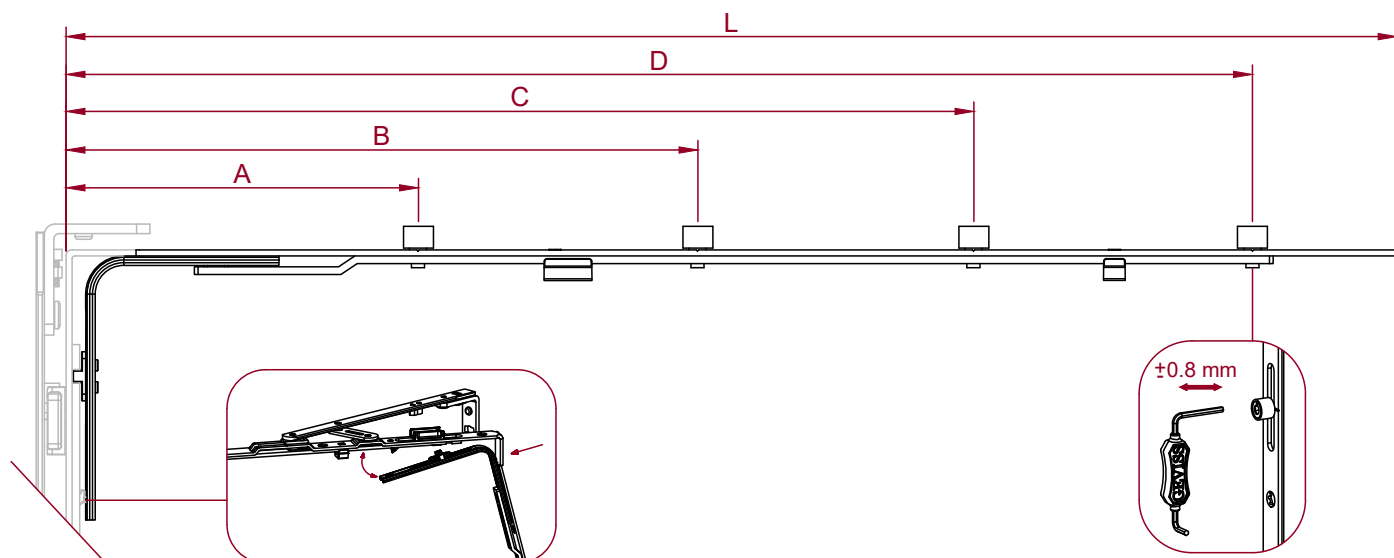
50



PRODUCT CODE	EXPLANATION		L (mm)	A (mm)			
MKS 404-00	T&T STAY ARM	350-600	470	-	-	2	10
MKS 404-01		400-650	520	-	-	3	10
MKS 404-02		600-850	720	-	-	4	10
MKS 404-02/PM		600-850	720	405	1	4	10
MKS 404-03		850-1100	970	565	1	7	10
MKS 404-04		1100-1350	1220	675	1	7	10



PRODUCT CODE	EXPLANATION		L (mm)	A (mm)			
MKS 404-G2	T&T STAY ARM - SECURITY	600-850	720	405	1	4	10
MKS 404-G3		850-1100	970	565	1	7	10
MKS 404-G4		1100-1350	1220	675	1	7	10

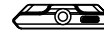


PRODUCT CODE

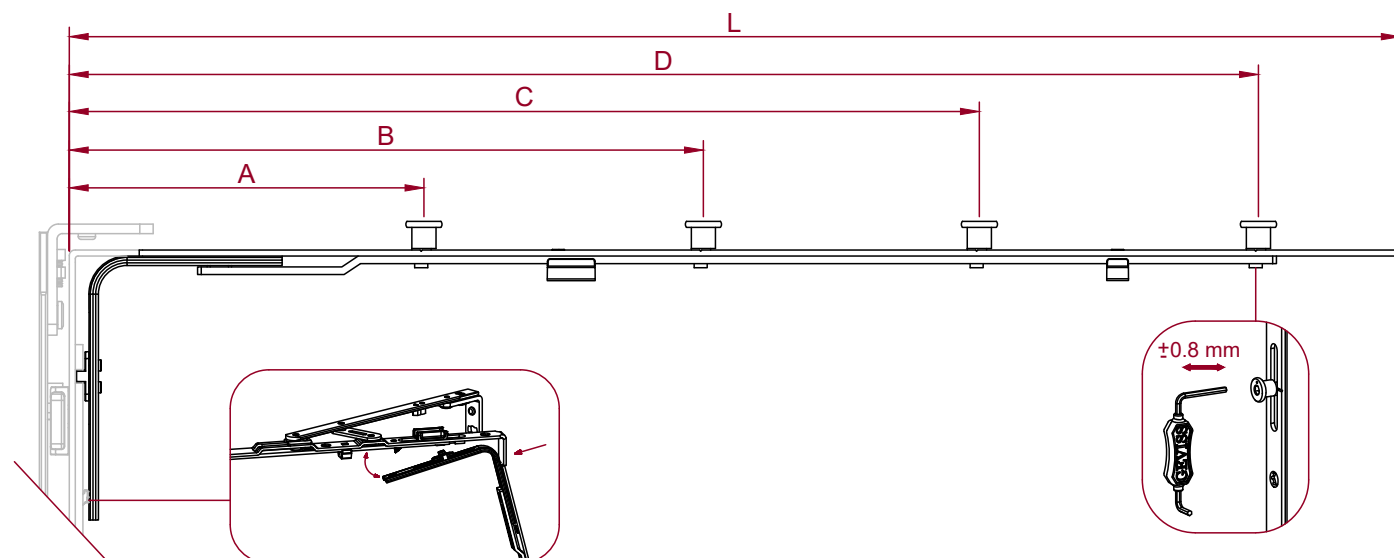
EXPLANATION



L (mm) **A** (mm) **B** (mm) **C** (mm) **D** (mm)



PRODUCT CODE	EXPLANATION	L (mm)	A (mm)	B (mm)	C (mm)	D (mm)	Handle	Screw	Box	
ARK 505-0.1	MIDDLE LOCK	-800	176	130	-	-	1	2	10	
ARK 505-0.2		-800	325	-	-	-	282	1	3	10
ARK 505-1		800-1200	535	130	-	-	485	2	3	10
ARK 505-1.5		900-1400	625	130	-	-	575	2	4	10
ARK 505-2		1200-1700	785	130	-	-	735	2	4	10
ARK 505-2.5		1300-1800	1135	130	545	-	1085	3	5	10
ARK 505-3		1700-2200	1335	130	645	-	1285	3	5	10
ARK 505-4		2000-2400	1700	130	640	1140	1650	4	6	10



PRODUCT CODE

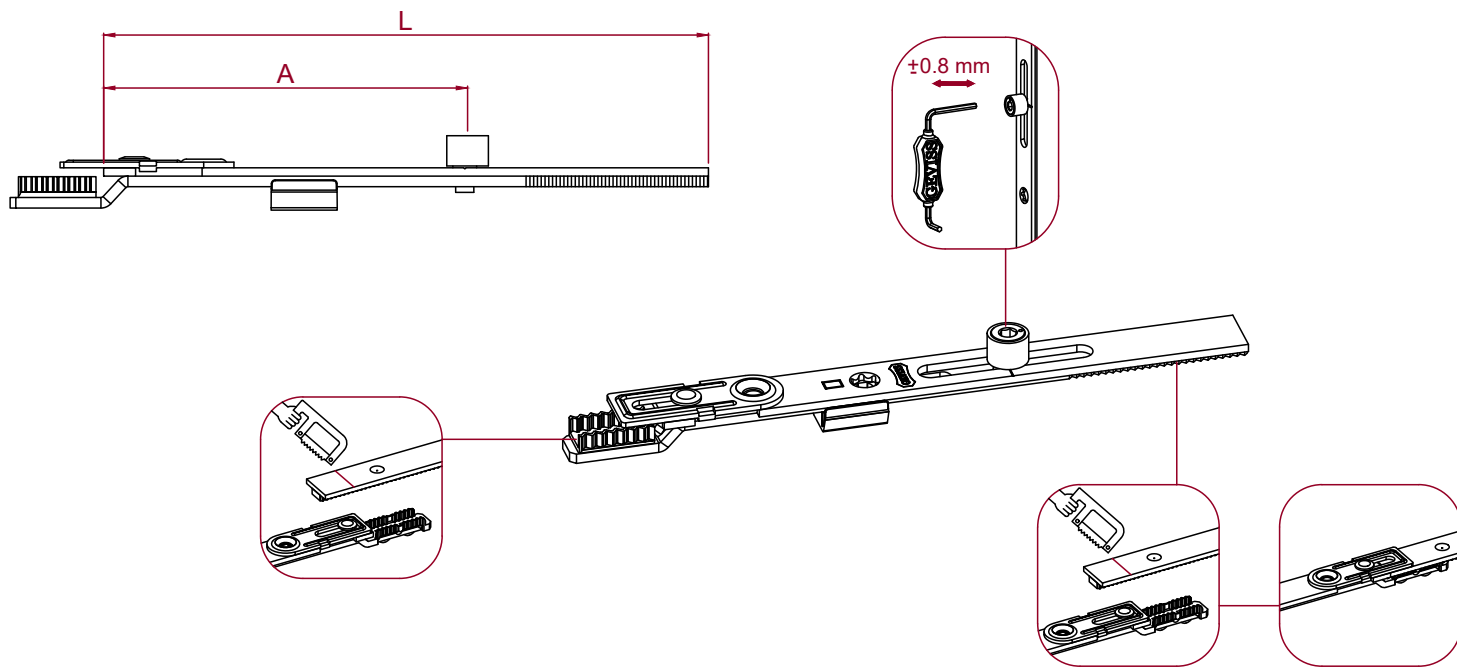
EXPLANATION






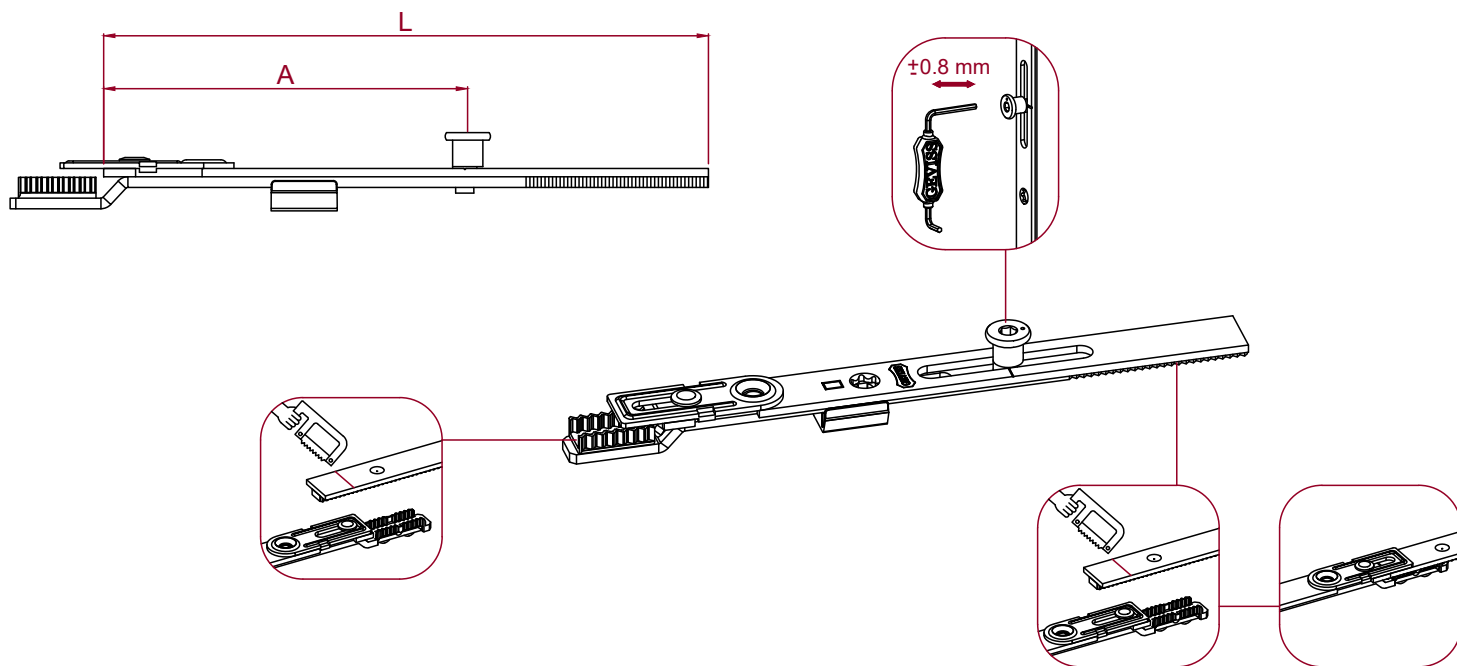
L (mm) **A** (mm) **B** (mm) **C** (mm) **D** (mm)

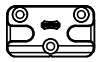




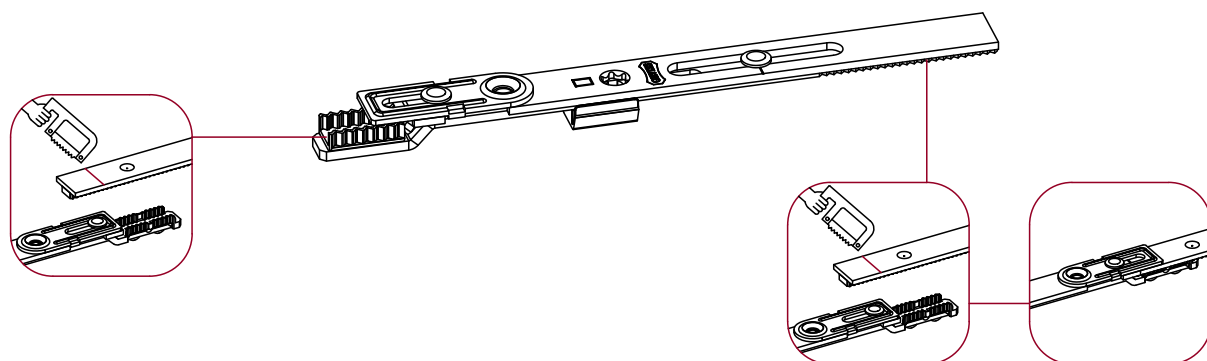
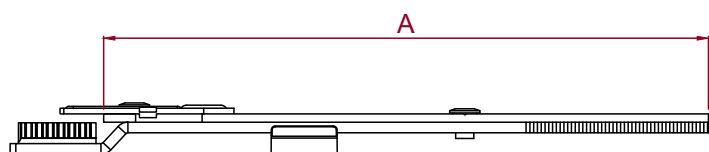
PRODUCT CODE	EXPLANATION	L (mm)	A (mm)	B (mm)	C (mm)	D (mm)	Handle	Screw	Box	
ARK 505-G0.1	MIDDLE LOCK - SECURITY	-800	176	130	-	-	1	2	10	
ARK 505-G0.2		-800	325	-	-	-	282	1	3	10
ARK 505-G1		800-1200	535	130	-	-	485	2	3	10
ARK 505-G1.5		900-1400	625	130	-	-	575	2	4	10
ARK 505-G2		1200-1700	785	130	-	-	735	2	4	10
ARK 505-G2.5		1300-1800	1135	130	545	-	1085	3	5	10
ARK 505-G3		1700-2200	1335	130	645	-	1285	3	5	10
ARK 505-G4		2000-2400	1700	130	640	1140	1650	4	6	10



PRODUCT CODE	EXPLANATION	L (mm)	A (mm)			
UP 150-1	EXTENSION PART - PINNED	150	95	1	2	50
UP 150-2		400	95	1	2	15
UP 200-1		190	95	1	2	50



PRODUCT CODE	EXPLANATION	L (mm)	A (mm)			
UP 150-1G	EXTENSION PART - SECURITY	150	95	1	2	50
UP 150-2G		400	95	1	2	15
UP 200-1G		190	95	1	2	50



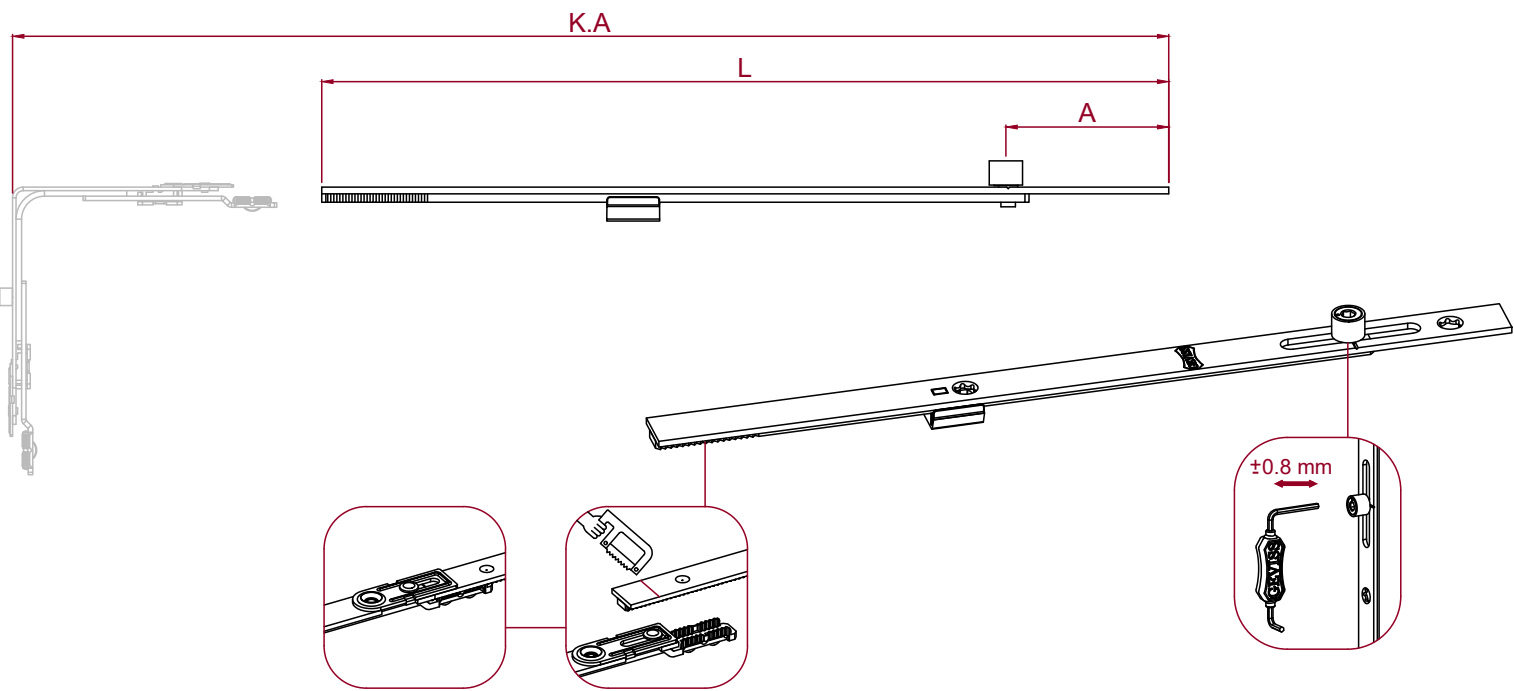
PRODUCT CODE

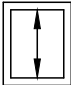

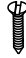

EXPLANATION

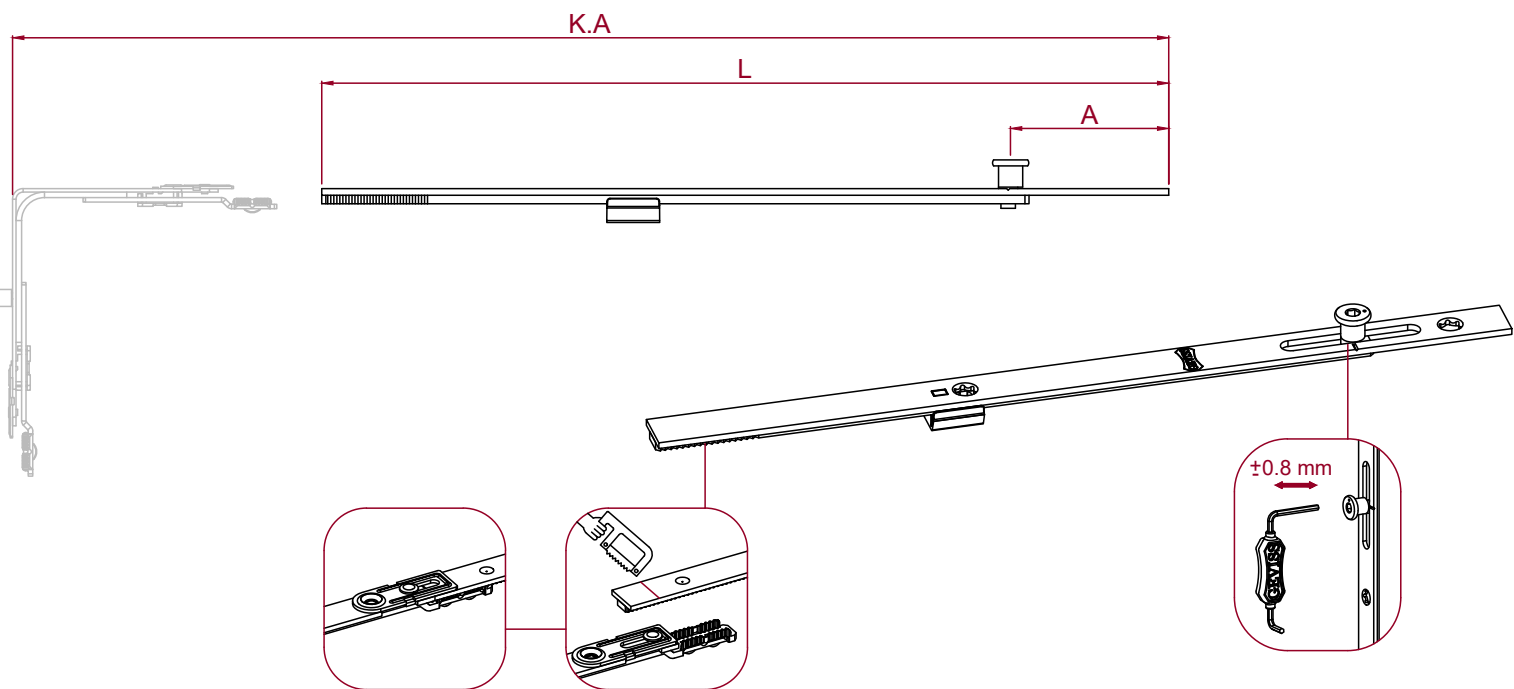
L
(mm)

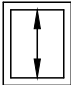
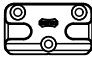




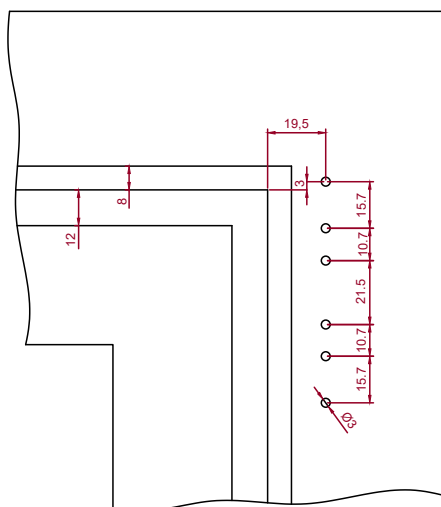
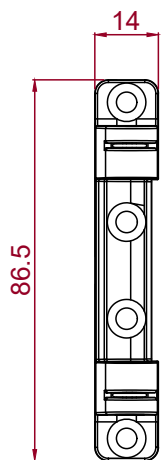
PRODUCT CODE	EXPLANATION	L (mm)		
UP 150-1D	EXTENSION PART - NOT PINNED	150	2	50
UP 150-2D		400	2	15
UP 200-1D		190	2	50



PRODUCT CODE	EXPLANATION		L (mm)	A (mm)			
IDK 213-1	ADDITIONAL STRAIGHT LOCKING	800-1200	405	53	1	2	10
IDK 213-2		1200-1700	605	53	1	2	10



PRODUCT CODE	EXPLANATION		L (mm)	A (mm)			
IDK 213-G1	ADDITIONAL STRAIGHT LOCKING - SECURITY	800-1200	405	53	1	2	10
IDK 213-G2		1200-1700	605	53	1	2	10



X
17.5 mm
19.5 mm
21.5 mm

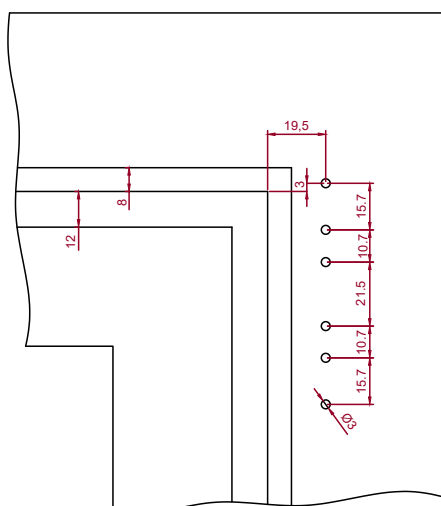
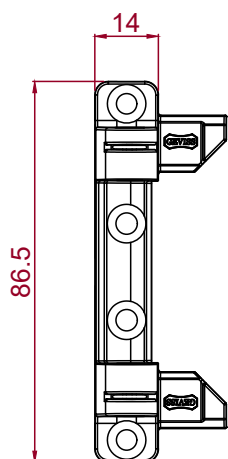
PRODUCT CODE

EXPLANATION

KG



KSM 720	T&T STAY ARM BEARING Ø3	100	4	100
KSM 740	T&T STAY ARM BEARING Ø6	130	4	100



X
17.5 mm
19.5 mm
21.5 mm

PRODUCT CODE

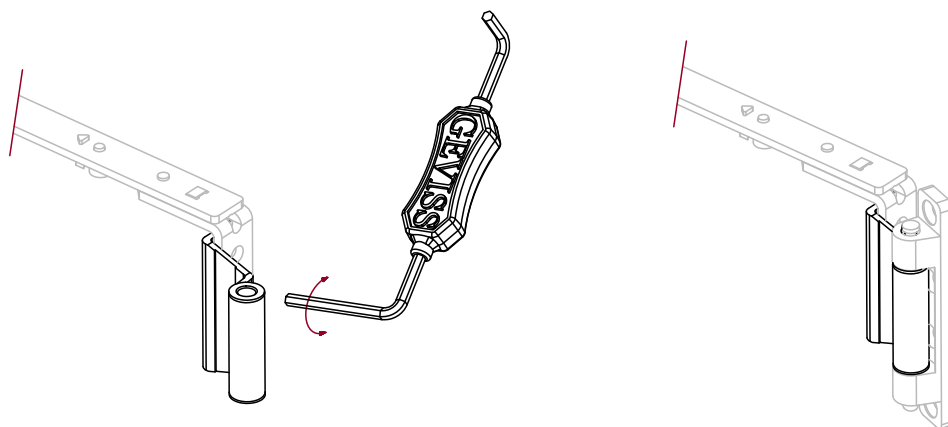
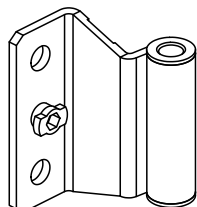
EXPLANATION

KG



KSM 730	T&T STAY ARM BEARING - SELF JIG	130	4	100
---------	---------------------------------	-----	---	-----

9 AXIS



PRODUCT CODE

EXPLANATION

KG



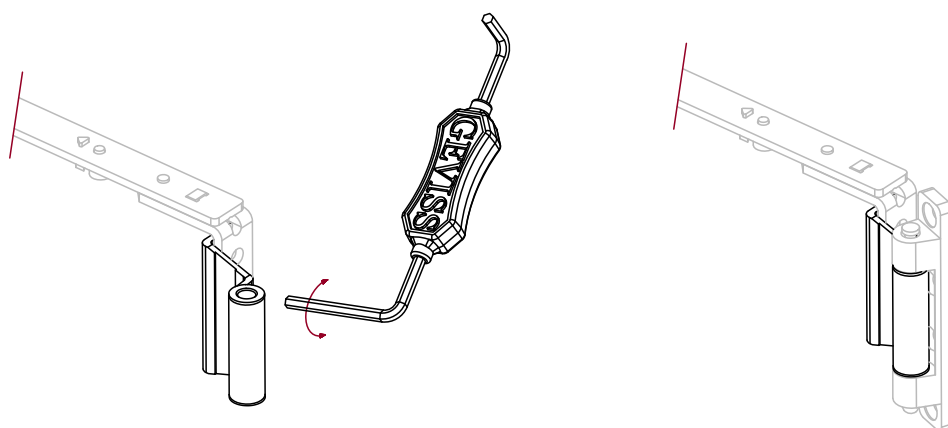
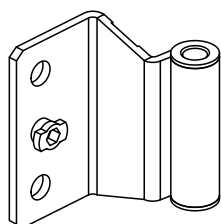
KNM 737-9

T&T STAY HINGES - 9 AXIS

130

100

13 AXIS



PRODUCT CODE

EXPLANATION

KG

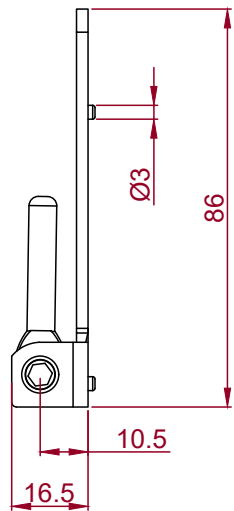


KNM 737-13

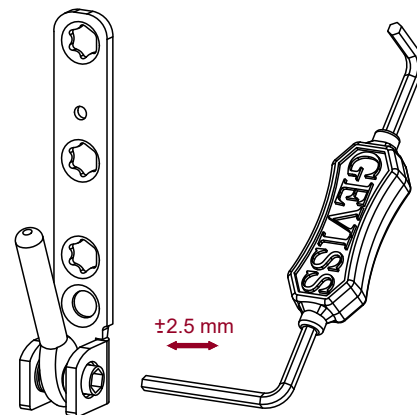
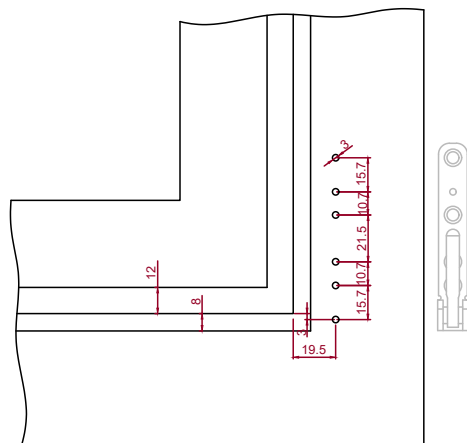
T&T STAY HINGES - 13 AXIS

130

100



X
17.5 mm
19.5 mm
21.5 mm



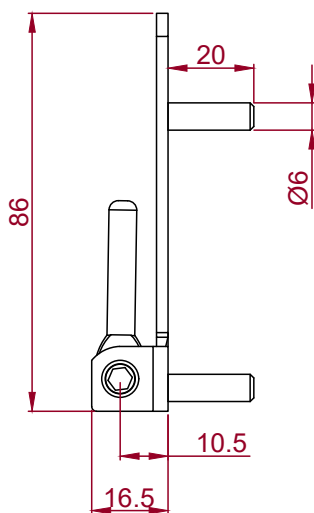
PRODUCT CODE

EXPLANATION

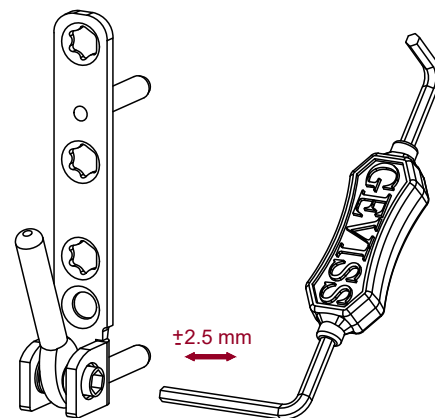
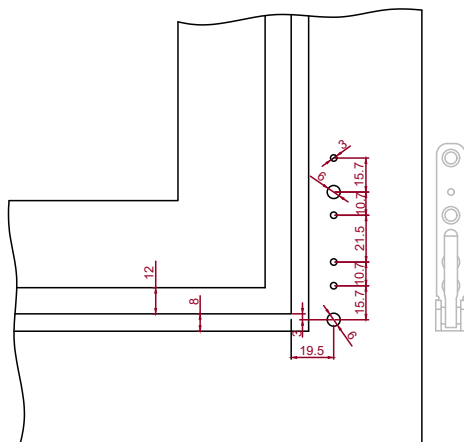
KG



SM 606	CORNER BEARING	100	4	100
--------	----------------	-----	---	-----



X
17.5 mm
19.5 mm
21.5 mm



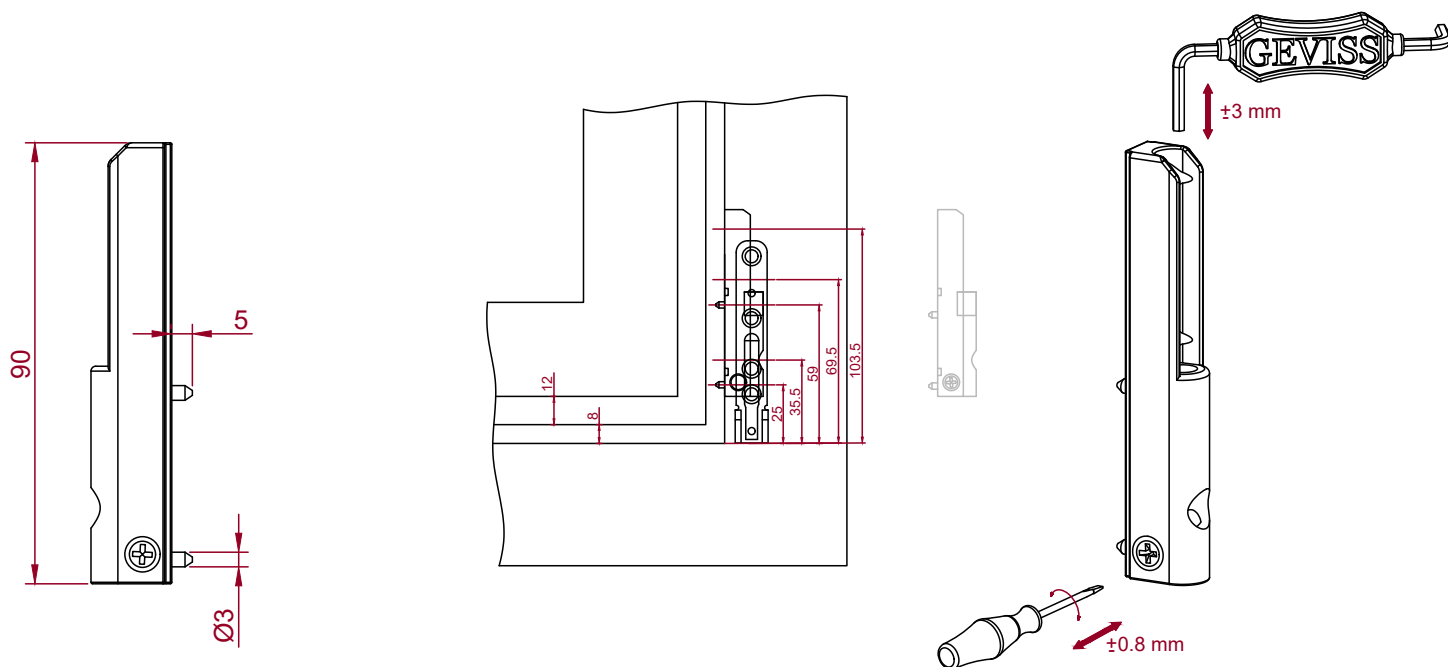
PRODUCT CODE

EXPLANATION

KG



SM 606-1	CORNER BEARING WITH - PIVOT	130	4	100
----------	-----------------------------	-----	---	-----



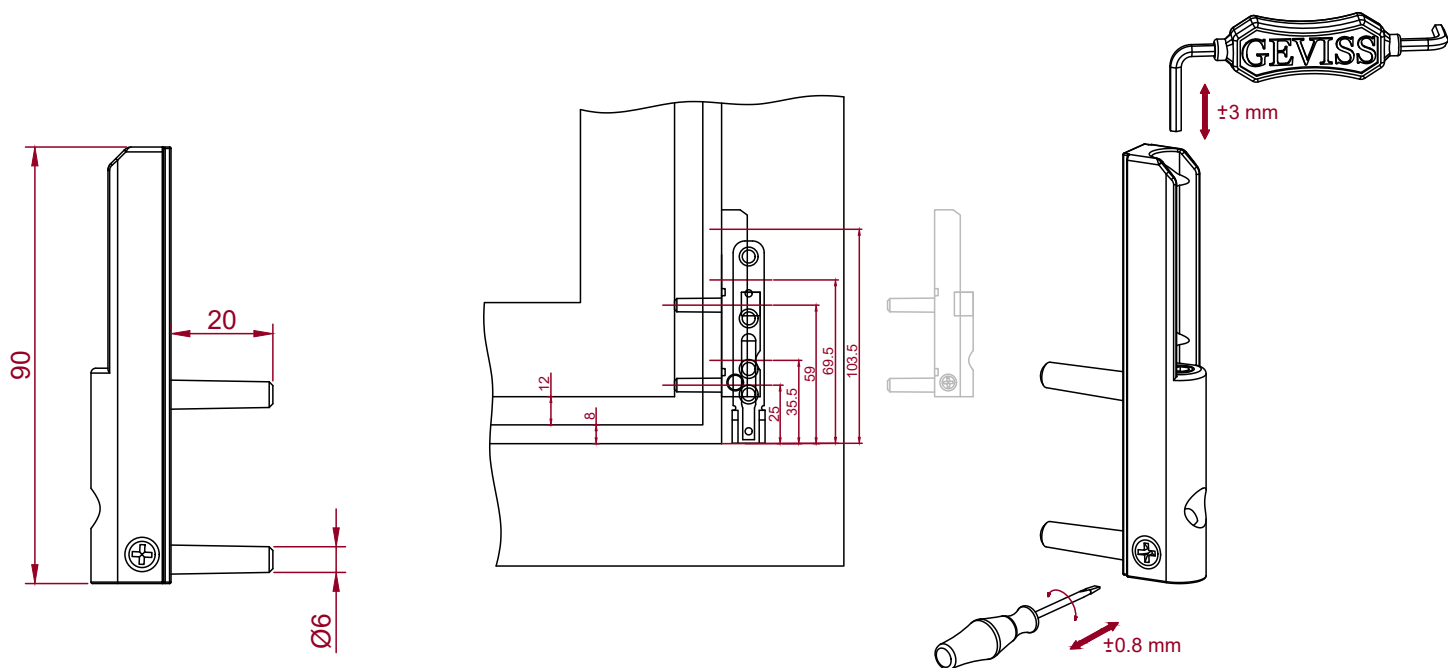
PRODUCT CODE

EXPLANATION

KG



PRODUCT CODE	EXPLANATION	KG		
HM 90-3	DRILL IN CORNER HINGE	100	3	100



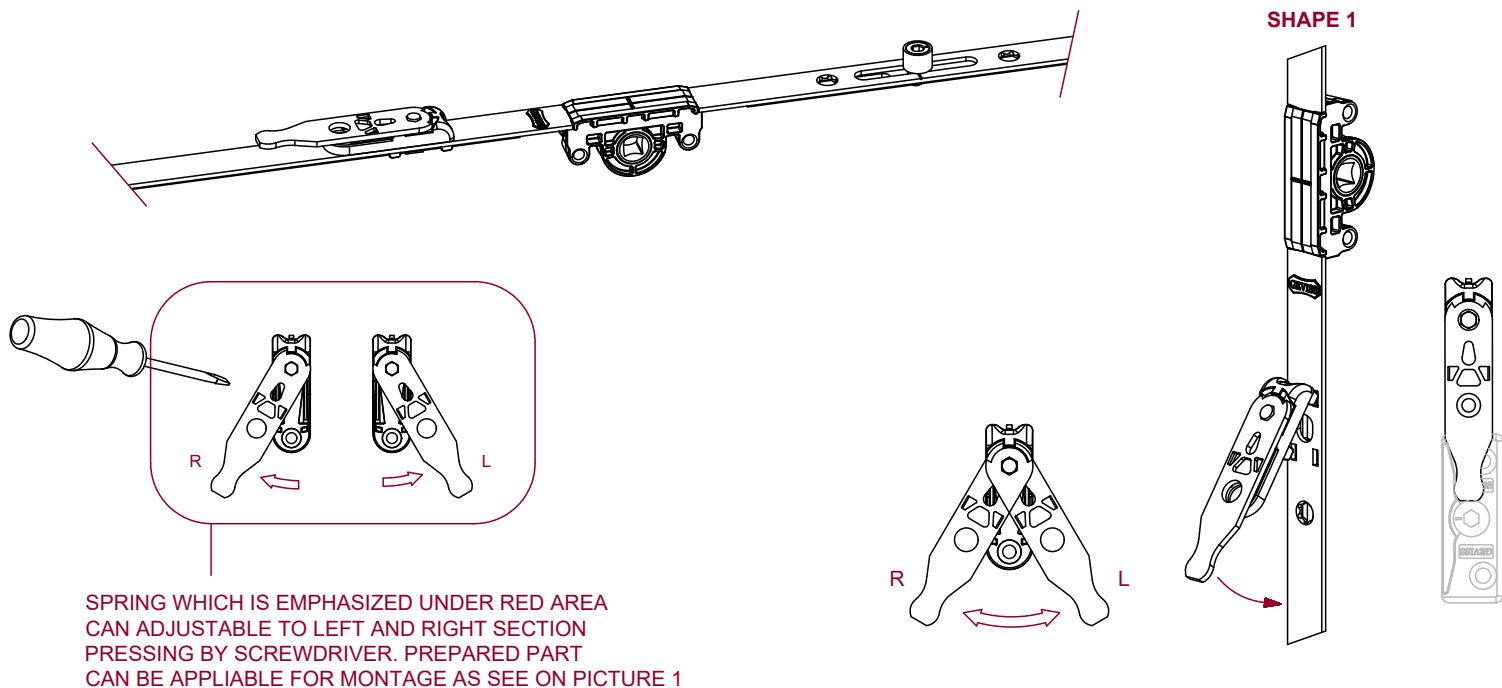
PRODUCT CODE

EXPLANATION

KG



PRODUCT CODE	EXPLANATION	KG		
HM 90-6	DRILL IN CORNER HINGE - PIVOT	130	3	100



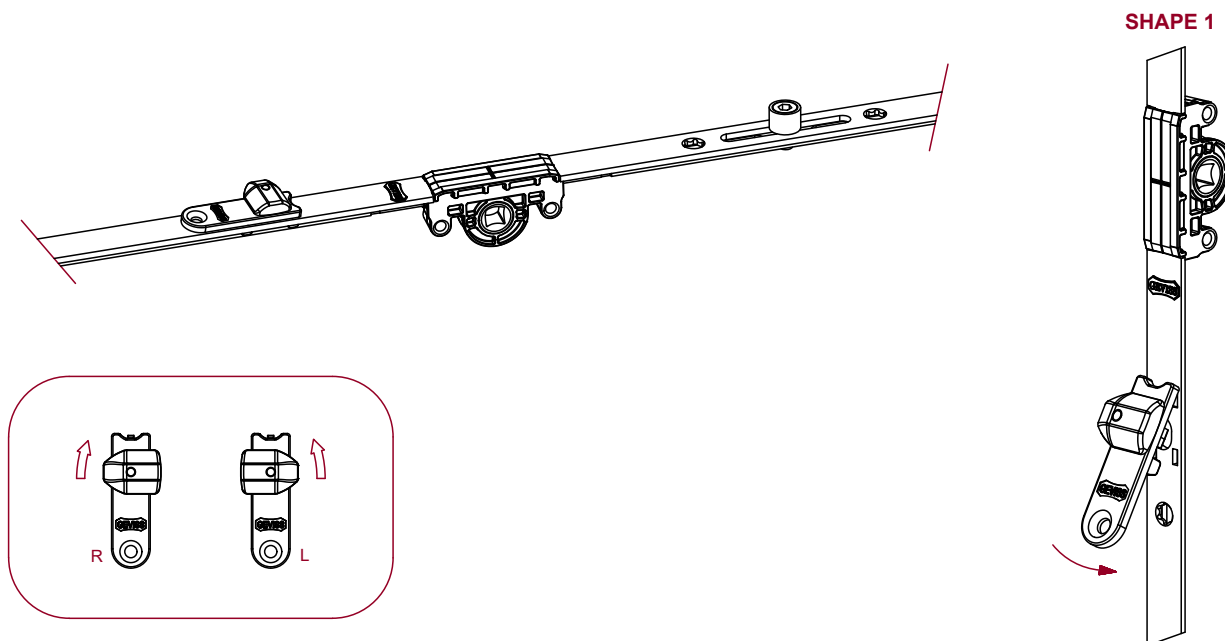
SPRING WHICH IS EMPHASIZED UNDER RED AREA CAN ADJUSTABLE TO LEFT AND RIGHT SECTION PRESSING BY SCREWDRIVER. PREPARED PART CAN BE APPLIABLE FOR MONTAGE AS SEE ON PICTURE 1

PRODUCT CODE

EXPLANATION



PRODUCT CODE	EXPLANATION	1	100
MSL 408	MICROLIFTING	1	100



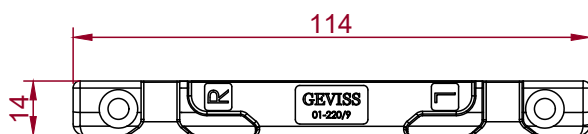
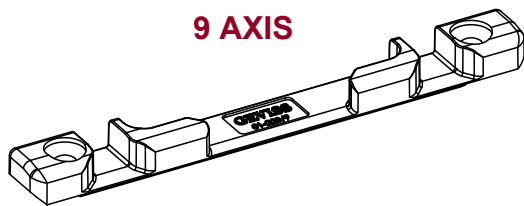
PRODUCT CODE

EXPLANATION

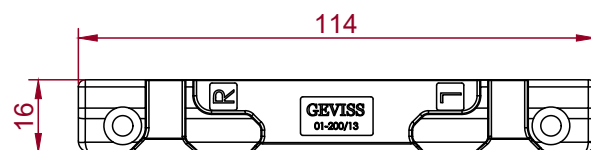
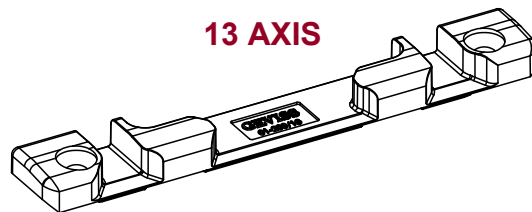


PRODUCT CODE	EXPLANATION	1	100
HKD-01	HANDLE FAULT USAGE SAFETY	1	100

9 AXIS





13 AXIS



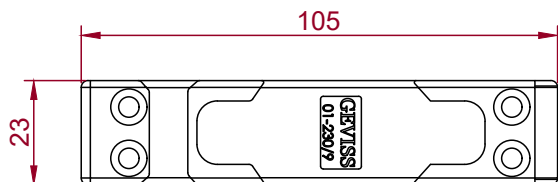
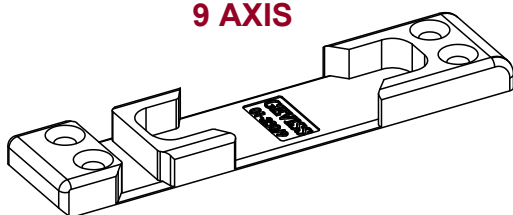
PRODUCT CODE

EXPLANATION

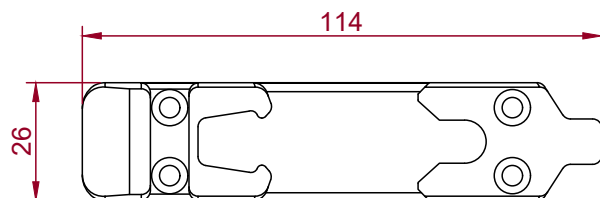
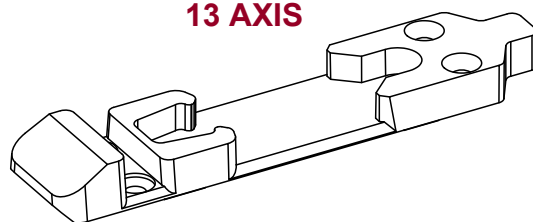


PRODUCT CODE	EXPLANATION		
AKK 220-9	T&T LOCKING PLATE - 9 AXIS	2	100
AKK 200-13	T&T LOCKING PLATE - 13 AXIS	2	100

9 AXIS





13 AXIS



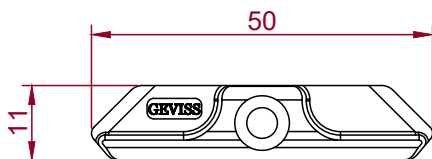
PRODUCT CODE

EXPLANATION

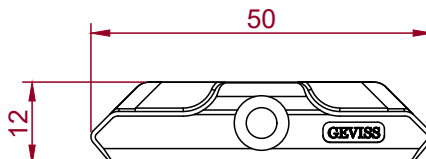
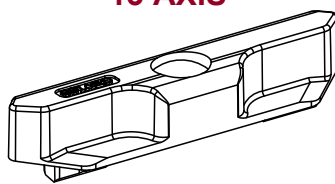


PRODUCT CODE	EXPLANATION		
AKK 230-9	T&T LOCKING PLATE - 9 AXIS (DOUBLE NAIL)	4	50
AKK 210-13	T&T LOCKING PLATE - 13 AXIS (DOUBLE NAIL)	4	50

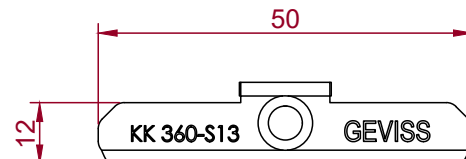
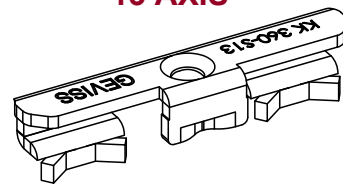
9 AXIS





13 AXIS

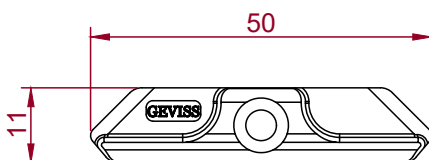
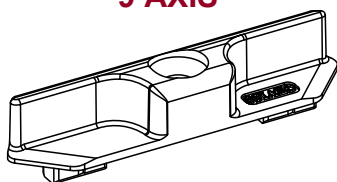


13 AXIS

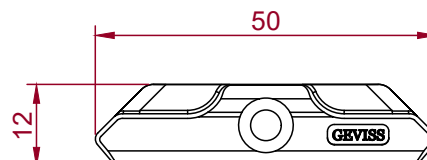
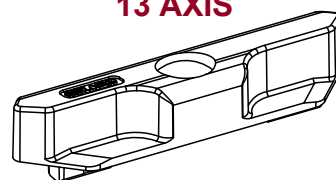




PRODUCT CODE	EXPLANATION		
KK 350-9	PIN STRIKER - 9 AXIS	1	1000
KK 360-13	PIN STRIKER - 13 AXIS	1	1000
KK 360-S13	PIN STRIKER METAL - 13 AXIS	1	1000

9 AXIS

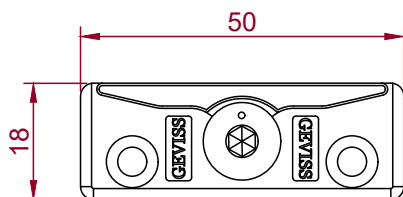
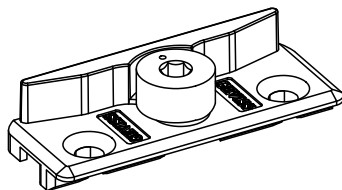


13 AXIS

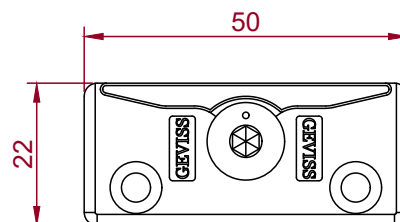
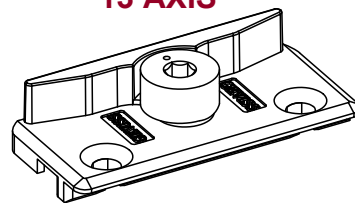


PRODUCT CODE	EXPLANATION		
PLS KK-9	PLASTIC PIN STRIKER - 9 AXIS	1	1000
PLS KK-13	PLASTIC PIN STRIKER - 13 AXIS	1	1000

9 AXIS





13 AXIS



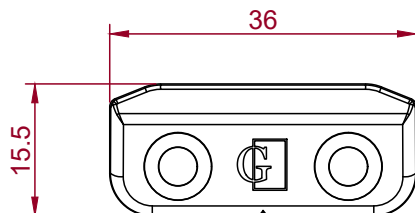
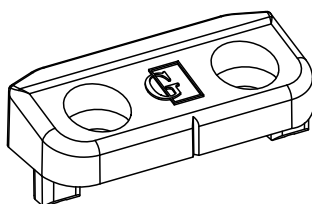
PRODUCT CODE

EXPLANATION



PRODUCT CODE	EXPLANATION		
MSL-K9	MICROLIFTING STRIKER - 9 AXIS	2	100
MSL-K13	MICROLIFTING STRIKER - 13 AXIS	2	100


22 AXIS



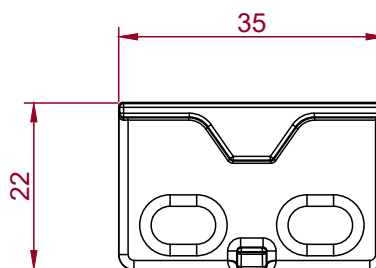
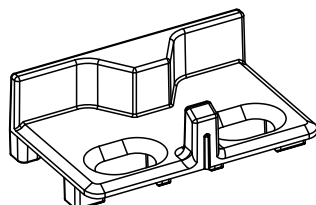
PRODUCT CODE

EXPLANATION



PRODUCT CODE	EXPLANATION		
CMK 22-AKS	PIN STRIKER - 22 AXIS	4	1000

9-13 AXIS



PRODUCT CODE

EXPLANATION



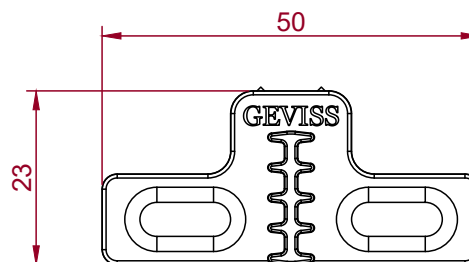
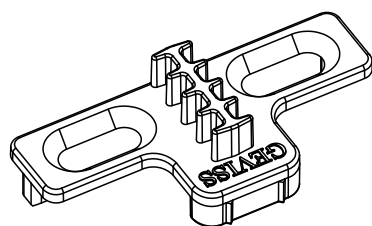
GHK P100

MICROVENTILATION STRIKER WITH STANDART PIN

2

100

9-13 AXIS



PRODUCT CODE

EXPLANATION



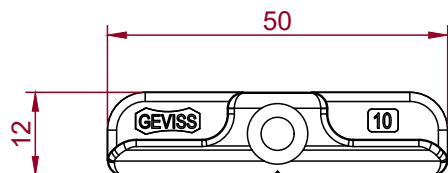
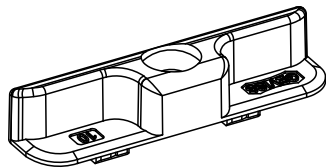
AHK 913

STEPPED MICROVENTILATION CORNER STRIKER

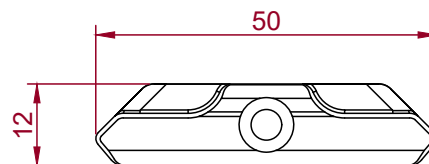
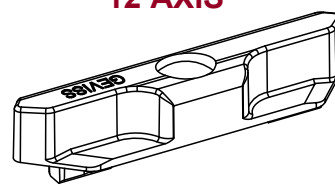
2



100

10 AXIS

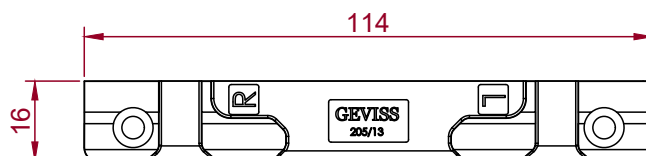
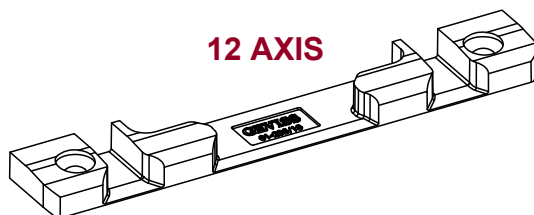


12 AXIS



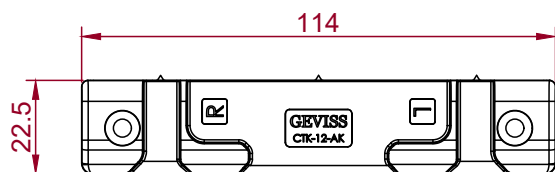
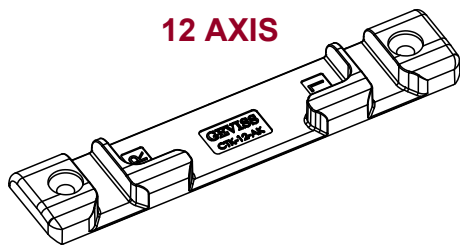
PRODUCT CODE	EXPLANATION		
KK 350-10	PIN STRIKER - 10 AXIS	1	1000
KK P6000-12	PIN STRIKER - 12 AXIS	1	1000

12 AXIS

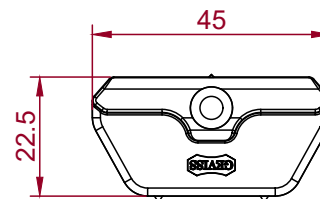
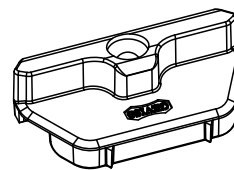


PRODUCT CODE	EXPLANATION		
AKK 205-12	T&T LOCKING PLATE - 12 AXIS	2	100

12 AXIS



12 AXIS



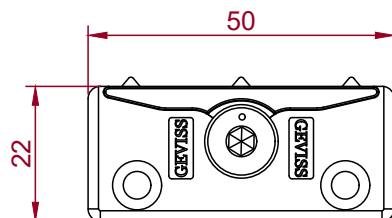
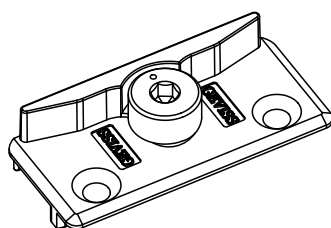
PRODUCT CODE

EXPLANATION

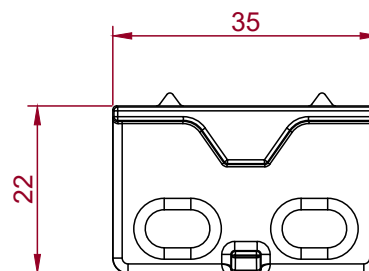
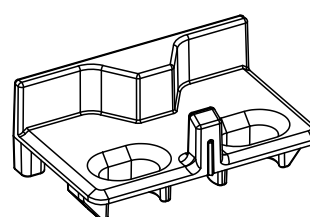


PRODUCT CODE	EXPLANATION		
CTK-12-AK	BOTTOM LOCKING STRIKER - SPECIAL FOR WIDE CHANNEL PROFILES	2	100
CTK-12-KK	PIN STRIKER - SPECIAL FOR WIDE CHANNEL PROFILES	1	500

12 AXIS



9-13 AXIS



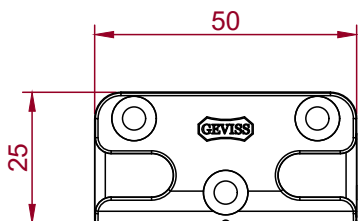
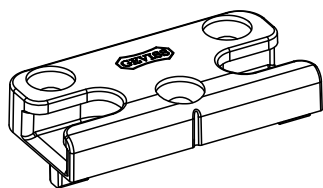
PRODUCT CODE

EXPLANATION

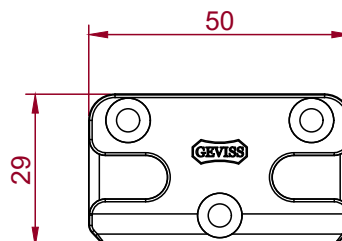
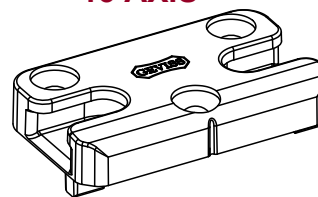




PRODUCT CODE	EXPLANATION		
CTK-12-MSLK	MICROLIFT STRIKER - SPECIAL FOR WIDE CHANNEL PROFILES	2	100
GHK P200	MICROVENTILATION STRIKER - SPECIAL FOR WIDE CHANNEL PROFILES	2	100

9 AXIS

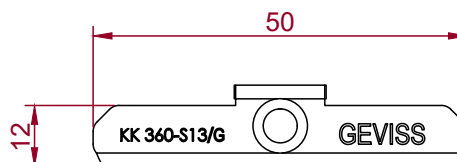


13 AXIS



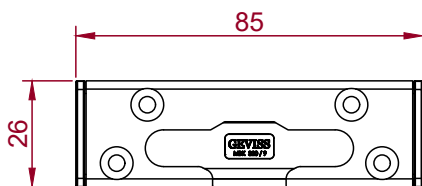
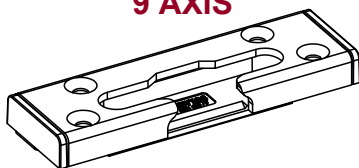
PRODUCT CODE	EXPLANATION		
GUK-9	SECURITY PIN STRIKER - 9 AXIS	3	100
GUK-13	SECURITY PIN STRIKER - 13 AXIS	3	100

13 AXIS

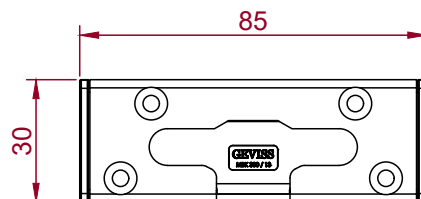
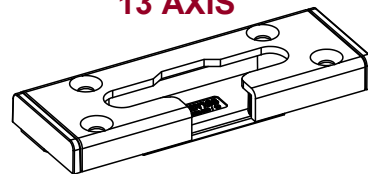


PRODUCT CODE	EXPLANATION		
KK 360-S13/G	SECURITY PIN STRIKER METAL - 13 AXIS	1	1000

9 AXIS





13 AXIS



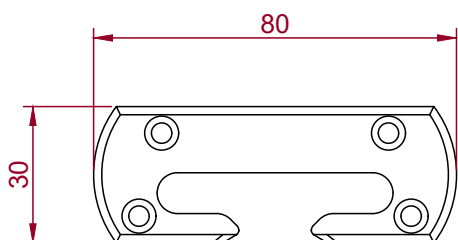
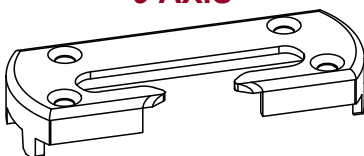
PRODUCT CODE

EXPLANATION

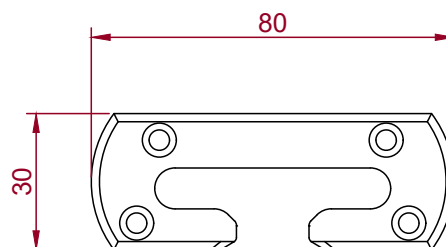
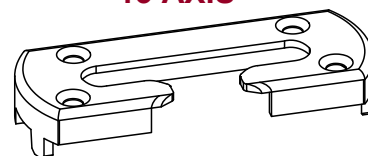


PRODUCT CODE	EXPLANATION		
MBK 320-9	CORNER TRANSMISSIONS WITH MUSHROOM PIN TYPE - 9 AXIS	4	50
MBK 330-13	CORNER TRANSMISSIONS WITH MUSHROOM PIN TYPE - 13 AXIS	4	50

9 AXIS





13 AXIS

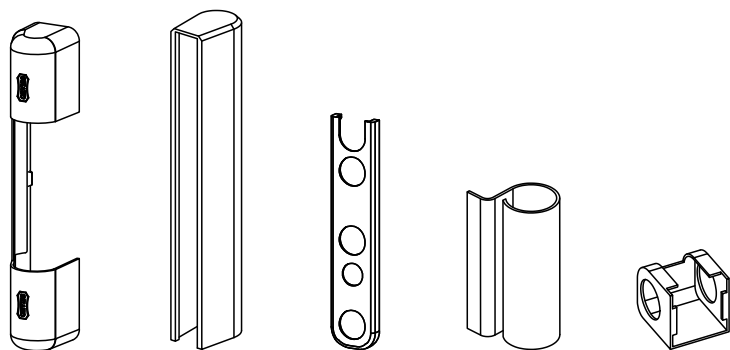


PRODUCT CODE

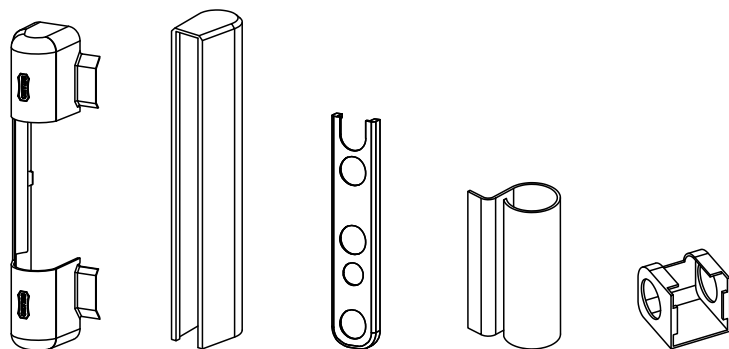
EXPLANATION



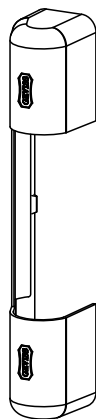
PRODUCT CODE	EXPLANATION		
MBK 325-9	CORNER TRANSMISSIONS WITH MUSHROOM PIN TYPE - 9 AXIS	4	50
MBK 335-13	CORNER TRANSMISSIONS WITH MUSHROOM PIN TYPE - 13 AXIS	4	50



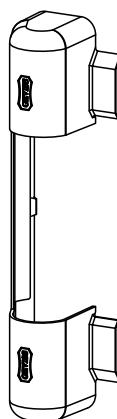
PRODUCT CODE	EXPLANATION	COLOR	
KPT 900-1	COVERS	WHITE	100
KPT 900-2		GOLDEN OAK	100
KPT 900-3		DARK BROWN	100
KPT 900-4		BLACK	100
KPT 900-5		GREY	100
KPT 900-6		PRIVATE COLOR	100



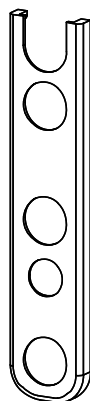
PRODUCT CODE	EXPLANATION	COLOR	
KPT 800-1	COVERS - SELF JIG	WHITE	100
KPT 800-2		GOLDEN OAK	100
KPT 800-3		DARK BROWN	100
KPT 800-4		BLACK	100
KPT 800-5		GREY	100
KPT 800-6		PRIVATE COLOR	100



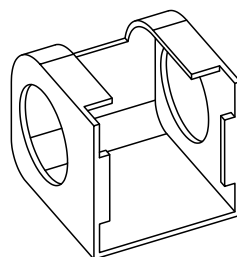
PRODUCT CODE	EXPLANATION	COLOR	
PK KSMN 01	FRAME HINGE COVER	WHITE	1000
PK KSMN 02		GOLDEN OAK	1000
PK KSMN 03		DARK BROWN	1000
PK KSMN 04		BLACK	1000
PK KSMN 05		GREY	1000
PK KSMN 06		PRIVATE COLOR	1000



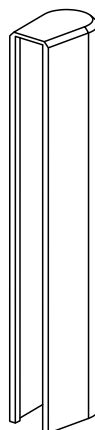
PRODUCT CODE	EXPLANATION	COLOR	
PK KSMS 01	FRAME HINGE COVER - SELF JIG	WHITE	1000
PK KSMS 02		GOLDEN OAK	1000
PK KSMS 03		DARK BROWN	1000
PK KSMS 04		BLACK	1000
PK KSMS 05		GREY	1000
PK KSMS 06		PRIVATE COLOR	1000



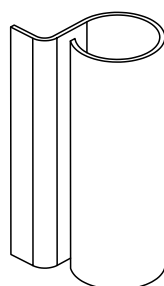
PRODUCT CODE	EXPLANATION	COLOR	
PK SMU 01	CORNER BEARING COVER - LONG TYPE	WHITE	1000
PK SMU 02		GOLDEN OAK	1000
PK SMU 03		DARK BROWN	1000
PK SMU 04		BLACK	1000
PK SMU 05		GREY	1000
PK SMU 06		PRIVATE COLOR	1000



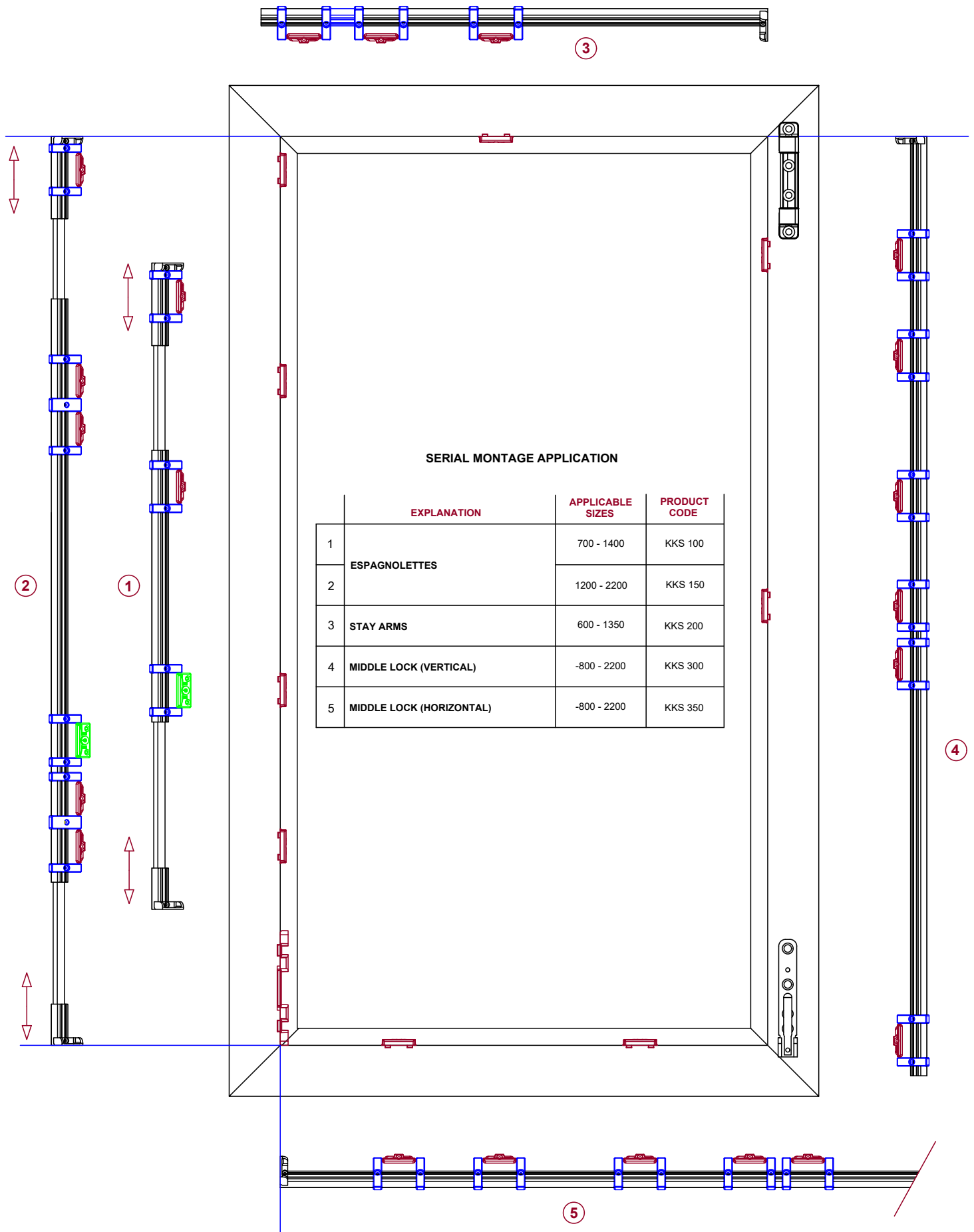
PRODUCT CODE	EXPLANATION	COLOR	
PK SMK 01	CORNER BEARING COVER - SHORT TYPE	WHITE	1000
PK SMK 02		GOLDEN OAK	1000
PK SMK 03		DARK BROWN	1000
PK SMK 04		BLACK	1000
PK SMK 05		GREY	1000
PK SMK 06		PRIVATE COLOR	1000

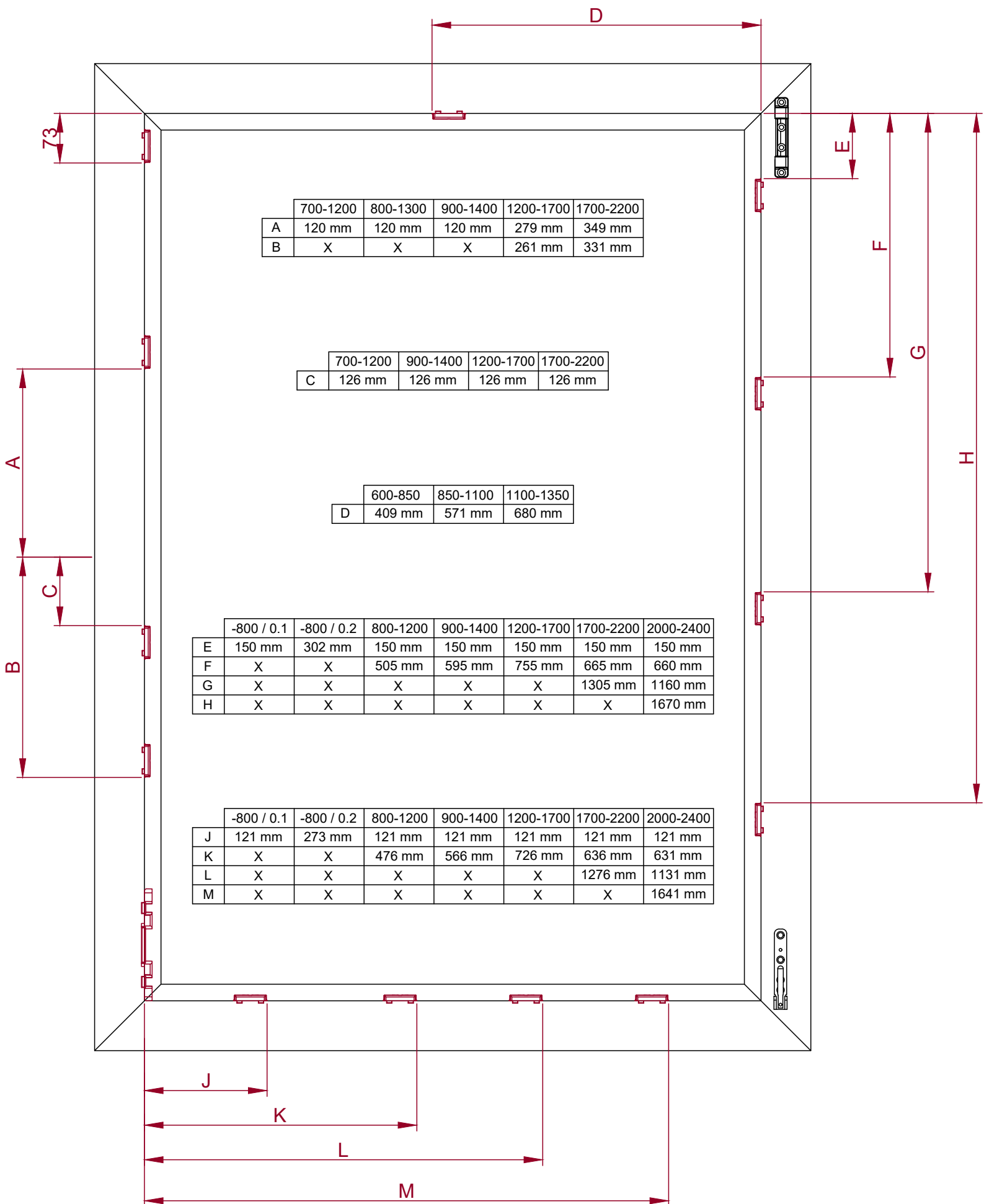


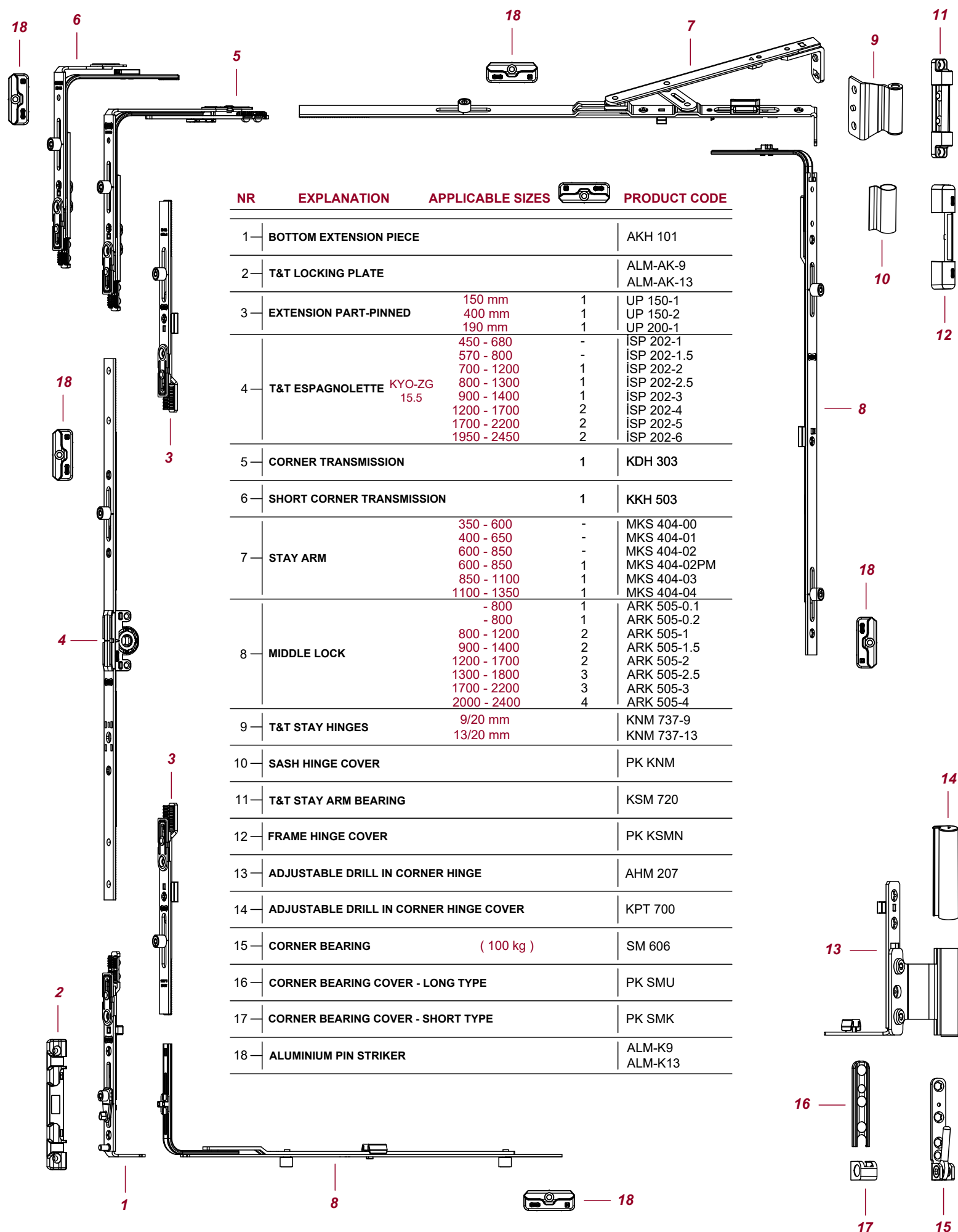
PRODUCT CODE	EXPLANATION	COLOR	
PK HMA 01	DRILL IN CORNER HINGE COVER	WHITE	1000
PK HMA 02		GOLDEN OAK	1000
PK HMA 03		DARK BROWN	1000
PK HMA 04		BLACK	1000
PK HMA 05		GREY	1000
PK HMA 06		PRIVATE COLOR	1000



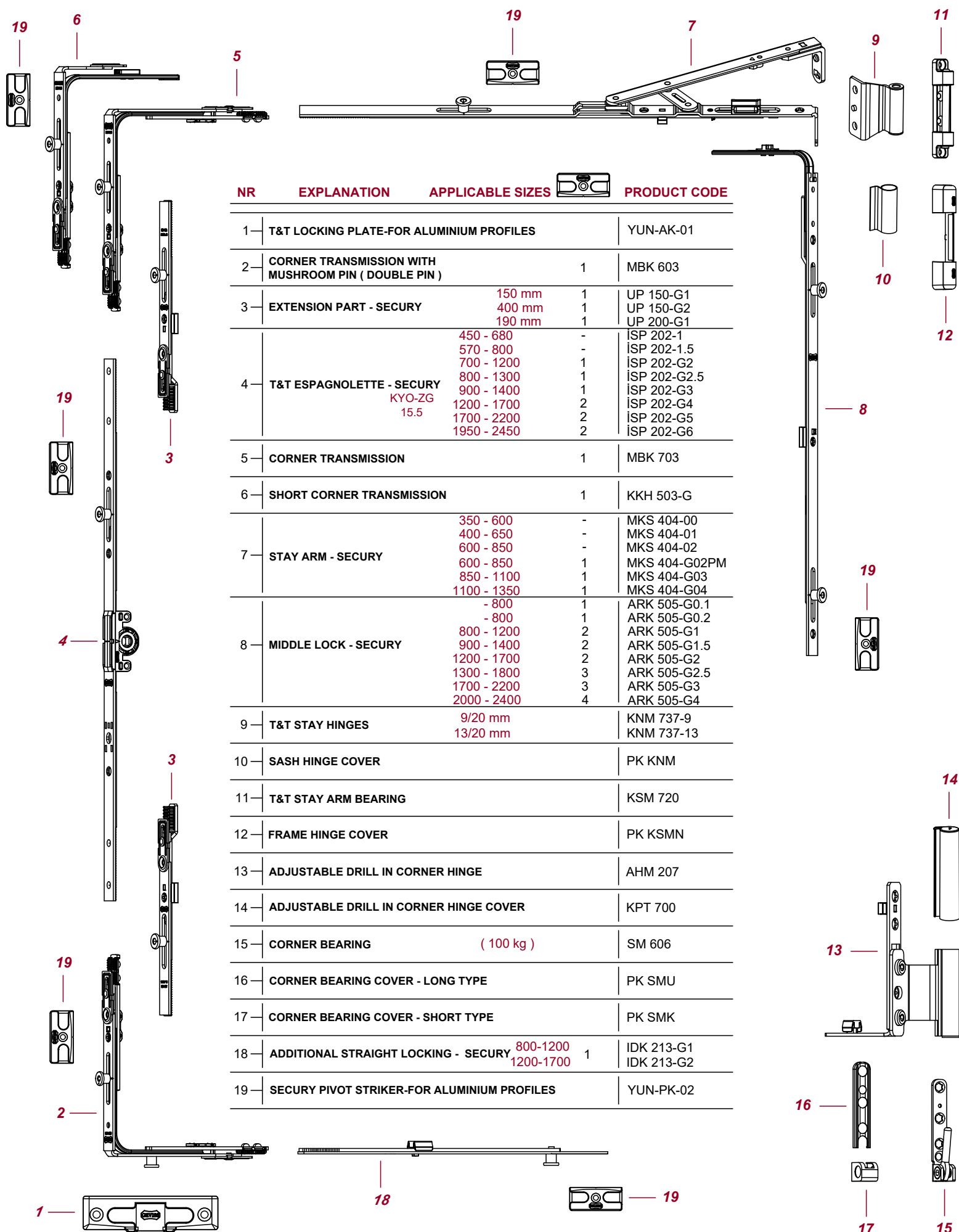
PRODUCT CODE	EXPLANATION	COLOR	
PK KNM 01	SASH HINGE COVER	WHITE	1000
PK KNM 02		GOLDEN OAK	1000
PK KNM 03		DARK BROWN	1000
PK KNM 04		BLACK	1000
PK KNM 05		GREY	1000
PK KNM 06		PRIVATE COLOR	1000



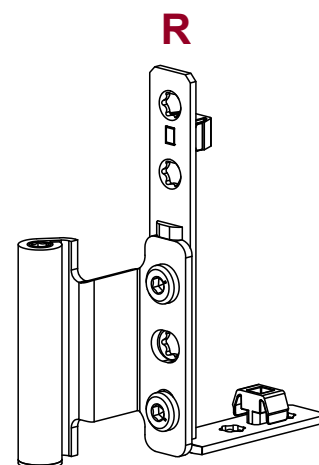
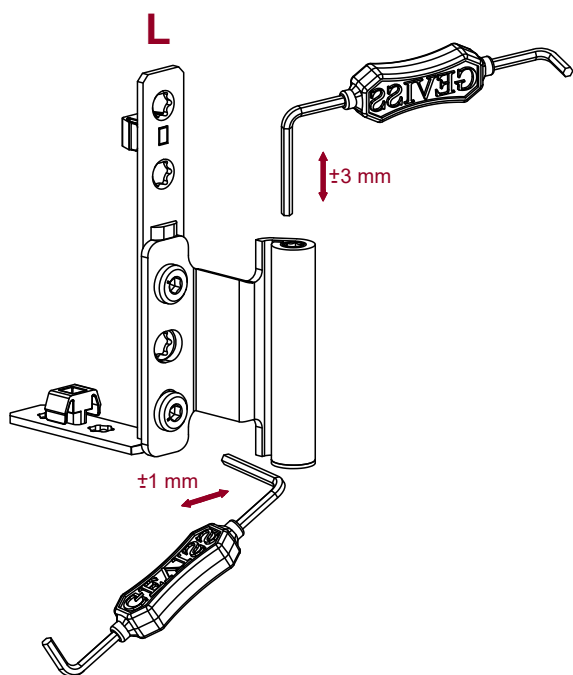




NR	EXPLANATION	APPLICABLE SIZES	PRODUCT CODE
1	BOTTOM EXTENSION PIECE		AKH 101
2	T&T LOCKING PLATE		ALM-AK-9 ALM-AK-13
3	EXTENSION PART-PINNED	150 mm	UP 150-1
		400 mm	UP 150-2
		190 mm	UP 200-1
4	T&T ESPAGNOLETTE KYO-ZG 15.5	450 - 680	ISP 202-1
		570 - 800	ISP 202-1.5
		700 - 1200	ISP 202-2
		800 - 1300	ISP 202-2.5
		900 - 1400	ISP 202-3
		1200 - 1700	ISP 202-4
		1700 - 2200	ISP 202-5
		1950 - 2450	ISP 202-6
5	CORNER TRANSMISSION		KDH 303
6	SHORT CORNER TRANSMISSION		KKH 503
7	STAY ARM	350 - 600	MKS 404-00
		400 - 650	MKS 404-01
		600 - 850	MKS 404-02
		600 - 850	MKS 404-02PM
		850 - 1100	MKS 404-03
		1100 - 1350	MKS 404-04
8	MIDDLE LOCK	- 800	ARK 505-0.1
		- 800	ARK 505-0.2
		800 - 1200	ARK 505-1
		900 - 1400	ARK 505-1.5
		1200 - 1700	ARK 505-2
		1300 - 1800	ARK 505-2.5
		1700 - 2200	ARK 505-3
		2000 - 2400	ARK 505-4
9	T&T STAY HINGES	9/20 mm	KNM 737-9
		13/20 mm	KNM 737-13
10	SASH HINGE COVER		PK KNM
11	T&T STAY ARM BEARING		KSM 720
12	FRAME HINGE COVER		PK KSMN
13	ADJUSTABLE DRILL IN CORNER HINGE		AHM 207
14	ADJUSTABLE DRILL IN CORNER HINGE COVER		KPT 700
15	CORNER BEARING (100 kg)		SM 606
16	CORNER BEARING COVER - LONG TYPE		PK SMU
17	CORNER BEARING COVER - SHORT TYPE		PK SMK
18	ALUMINIUM PIN STRIKER		ALM-K9 ALM-K13



NR	EXPLANATION	APPLICABLE SIZES	PRODUCT CODE
1	T&T LOCKING PLATE-FOR ALUMINIUM PROFILES		YUN-AK-01
2	CORNER TRANSMISSION WITH MUSHROOM PIN (DOUBLE PIN)	1	MBK 603
3	EXTENSION PART - SECURY	150 mm	UP 150-G1
		400 mm	UP 150-G2
		190 mm	UP 200-G1
4	T&T ESPAGNOLETTE - SECURY KYO-ZG 15.5	450 - 680	ISP 202-1
		570 - 800	ISP 202-1.5
		700 - 1200	ISP 202-G2
		800 - 1300	ISP 202-G2.5
		900 - 1400	ISP 202-G3
		1200 - 1700	ISP 202-G4
		1700 - 2200	ISP 202-G5
1950 - 2450	ISP 202-G6		
5	CORNER TRANSMISSION	1	MBK 703
6	SHORT CORNER TRANSMISSION	1	KKH 503-G
7	STAY ARM - SECURY	350 - 600	MKS 404-00
		400 - 650	MKS 404-01
		600 - 850	MKS 404-02
		600 - 850	MKS 404-G02PM
		850 - 1100	MKS 404-G03
		1100 - 1350	MKS 404-G04
8	MIDDLE LOCK - SECURY	- 800	ARK 505-G0.1
		- 800	ARK 505-G0.2
		800 - 1200	ARK 505-G1
		900 - 1400	ARK 505-G1.5
		1200 - 1700	ARK 505-G2
		1300 - 1800	ARK 505-G2.5
		1700 - 2200	ARK 505-G3
2000 - 2400	ARK 505-G4		
9	T&T STAY HINGES	9/20 mm	KNM 737-9
		13/20 mm	KNM 737-13
10	SASH HINGE COVER		PK KNM
11	T&T STAY ARM BEARING		KSM 720
12	FRAME HINGE COVER		PK KSMN
13	ADJUSTABLE DRILL IN CORNER HINGE		AHM 207
14	ADJUSTABLE DRILL IN CORNER HINGE COVER		KPT 700
15	CORNER BEARING	(100 kg)	SM 606
16	CORNER BEARING COVER - LONG TYPE		PK SMU
17	CORNER BEARING COVER - SHORT TYPE		PK SMK
18	ADDITIONAL STRAIGHT LOCKING - SECURY	800-1200	IDK 213-G1
		1200-1700	IDK 213-G2
19	SECURY PIVOT STRIKER-FOR ALUMINIUM PROFILES		YUN-PK-02

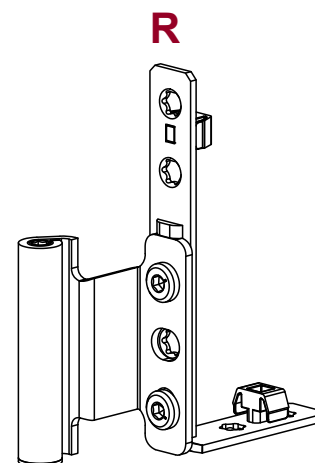
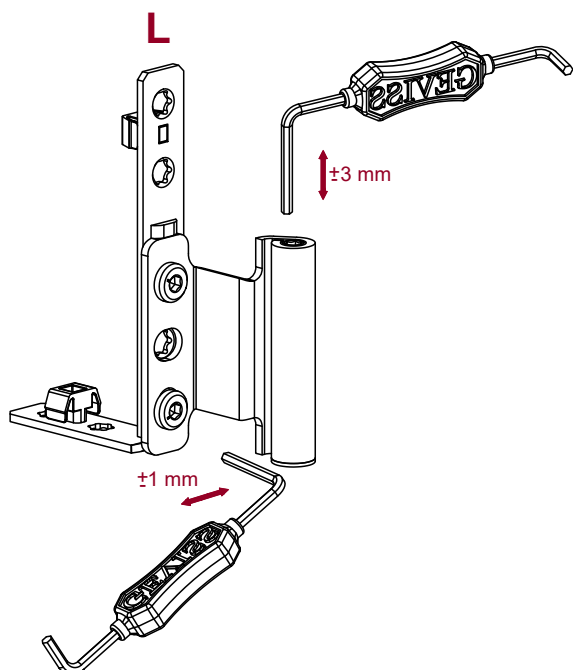


PRODUCT CODE

EXPLANATION



PRODUCT CODE	EXPLANATION	Screw	Box
AHM 207-9L	ADJUSTABLE DRILL IN CORNER HINGE - 9 AKS	5	50
AHM 207-9R		5	50

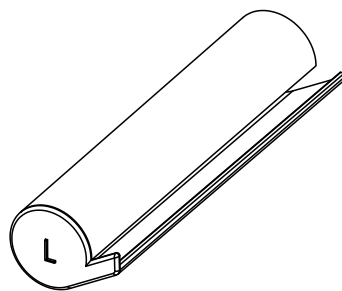


PRODUCT CODE

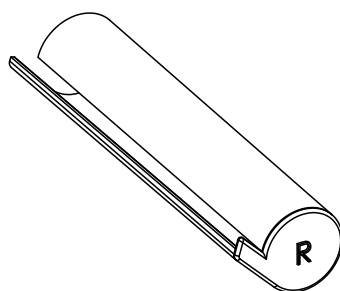
EXPLANATION



PRODUCT CODE	EXPLANATION	Screw	Box
AHM 207-13L	ADJUSTABLE DRILL IN CORNER HINGE - 13 AKS	5	50
AHM 207-13R		5	50

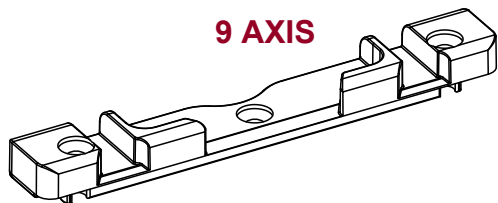


PRODUCT CODE	EXPLANATION	COLOR	
KPT 700-1/L	ADJUSTABLE DRILL IN CORNER HINGE COVER - LEFT	WHITE	100
KPT 700-2/L		GOLDEN OAK	100
KPT 700-3/L		DARK BROWN	100
KPT 700-4/L		BLACK	100
KPT 700-5/L		GREY	100
KPT 700-6/L		PRIVATE COLOR	100

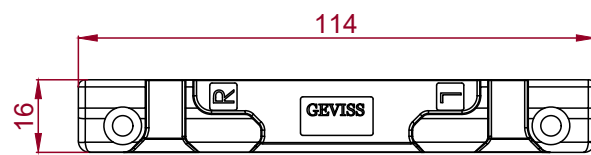
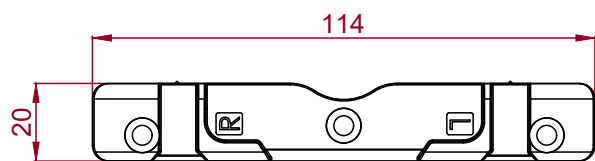
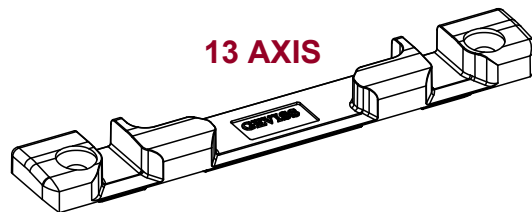




PRODUCT CODE	EXPLANATION	COLOR	
KPT 700-1/R	ADJUSTABLE DRILL IN CORNER HINGE COVER - RIGHT	WHITE	100
KPT 700-2/R		GOLDEN OAK	100
KPT 700-3/R		DARK BROWN	100
KPT 700-4/R		BLACK	100
KPT 700-5/R		GREY	100
KPT 700-6/R		PRIVATE COLOR	100

9 AXIS



13 AXIS

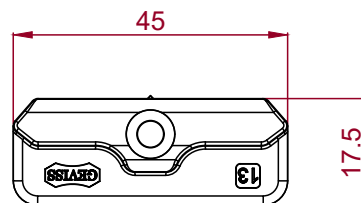
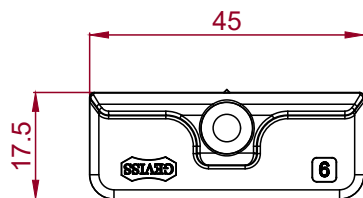




PRODUCT CODE	EXPLANATION		
ALM-AK-9	T&T LOCKING PLATE - 9 AXIS	2	100
ALM-AK-13	T&T LOCKING PLATE - 13 AXIS	2	100

9 AXIS

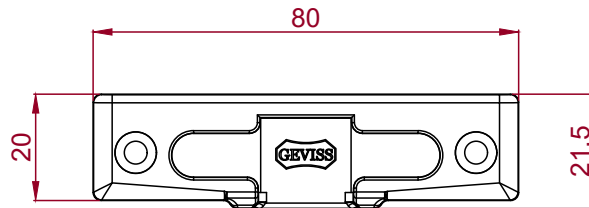
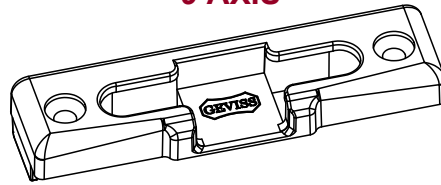


13 AXIS



PRODUCT CODE	EXPLANATION		
ALM-K9	ALUMINIUM PIN STRIKER - 9 AXIS	1	500
ALM-K13	ALUMINIUM PIN STRIKER - 13 AXIS	1	500

9 AXIS



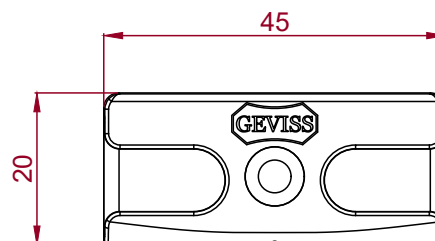
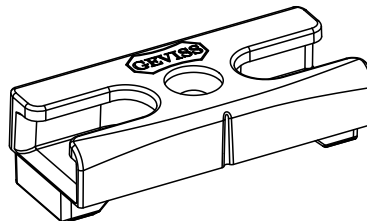
PRODUCT CODE

EXPLANATION



PRODUCT CODE	EXPLANATION		
YUN-AK-01	T&T LOCKING PLATE - FOR ALUMINIUM PROFILES	2	100

9 AXIS

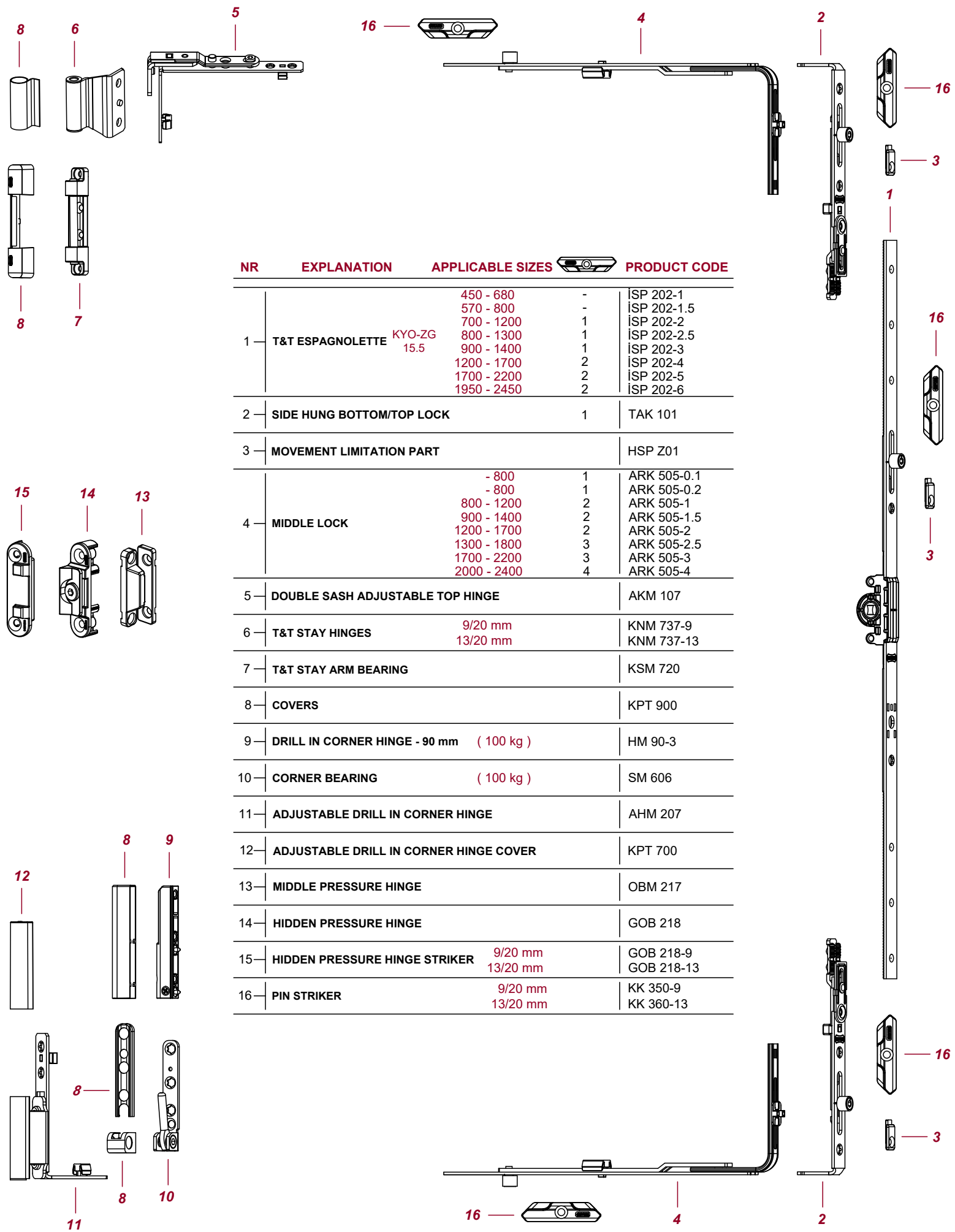



PRODUCT CODE

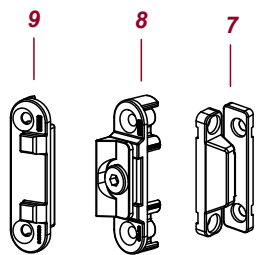
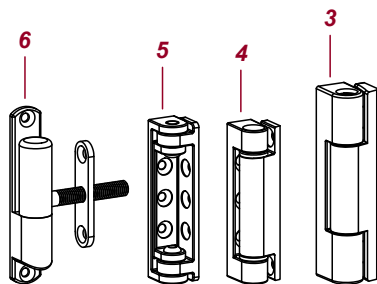
EXPLANATION




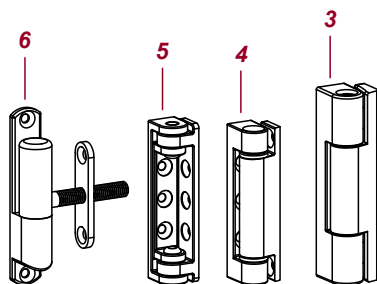
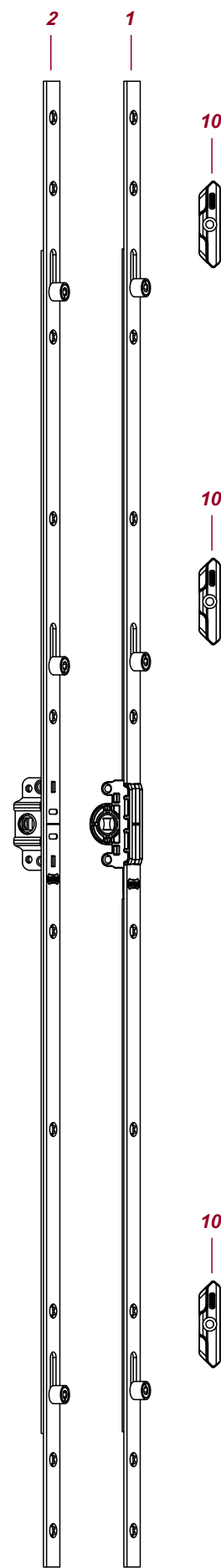
PRODUCT CODE	EXPLANATION		
YUN-PK-02	SECURY PIVOT STRIKER - FOR ALUMINIUM PROFILES	1	100

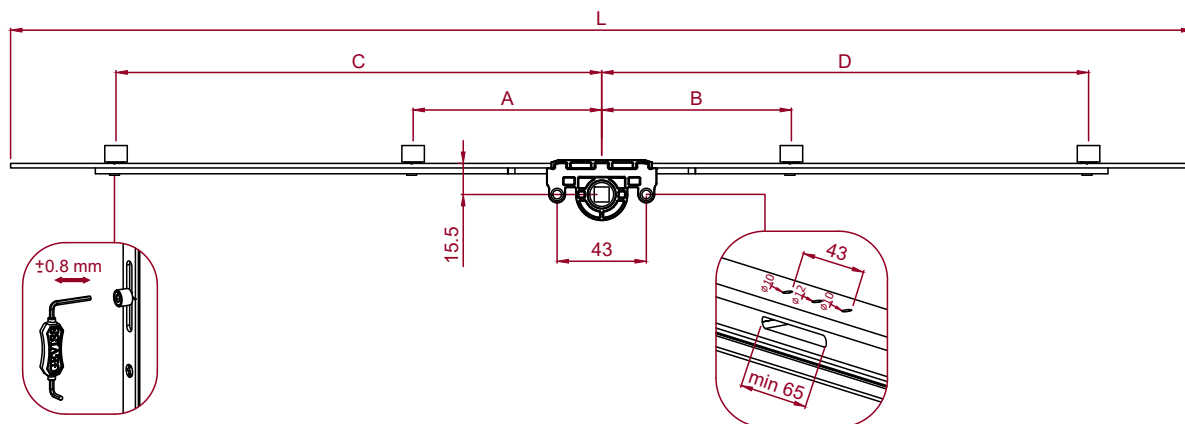


NR	EXPLANATION	APPLICABLE SIZES		PRODUCT CODE
1	T&T ESPAGNOLETTE <small>KYO-ZG 15.5</small>	450 - 680	-	ISP 202-1
		570 - 800	-	ISP 202-1.5
		700 - 1200	1	ISP 202-2
		800 - 1300	1	ISP 202-2.5
		900 - 1400	1	ISP 202-3
		1200 - 1700	2	ISP 202-4
		1700 - 2200	2	ISP 202-5
1950 - 2450	2	ISP 202-6		
2	SIDE HUNG BOTTOM/TOP LOCK		1	TAK 101
3	MOVEMENT LIMITATION PART			HSP Z01
4	MIDDLE LOCK	- 800	1	ARK 505-0.1
		- 800	1	ARK 505-0.2
		800 - 1200	2	ARK 505-1
		900 - 1400	2	ARK 505-1.5
		1200 - 1700	2	ARK 505-2
		1300 - 1800	3	ARK 505-2.5
		1700 - 2200	3	ARK 505-3
2000 - 2400	4	ARK 505-4		
5	DOUBLE SASH ADJUSTABLE TOP HINGE			AKM 107
6	T&T STAY HINGES	9/20 mm		KNM 737-9
		13/20 mm		KNM 737-13
7	T&T STAY ARM BEARING			KSM 720
8	COVERS			KPT 900
9	DRILL IN CORNER HINGE - 90 mm (100 kg)			HM 90-3
10	CORNER BEARING (100 kg)			SM 606
11	ADJUSTABLE DRILL IN CORNER HINGE			AHM 207
12	ADJUSTABLE DRILL IN CORNER HINGE COVER			KPT 700
13	MIDDLE PRESSURE HINGE			OBM 217
14	HIDDEN PRESSURE HINGE			GOB 218
15	HIDDEN PRESSURE HINGE STRIKER	9/20 mm		GOB 218-9
		13/20 mm		GOB 218-13
16	PIN STRIKER	9/20 mm		KK 350-9
		13/20 mm		KK 360-13



NR	EXPLANATION	APPLICABLE SIZES		PRODUCT CODE
1	SIDE HUNG ESPAGNOLETTE ZINC HOUSING KYO-ZG 15.5	165 - 250	1	ISP Z165
		250 - 400	2	ISP Z300
		400 - 600	2	ISP Z400
		600 - 800	2	ISP Z600
		800 - 1000	2	ISP Z800
		1000 - 1200	3	ISP Z1000
		1200 - 1400	3	ISP Z1200
		1400 - 1600	4	ISP Z1400
		1600 - 1800	4	ISP Z1600
		1800 - 2000	4	ISP Z1800
2000 - 2200	4	ISP Z2000		
2200 - 2400	4	ISP Z2200		
2	SIDE HUNG ESPAGNOLETTE METAL HOUSING KYO-MG 15.5	250 - 400	2	ISP M300
		400 - 600	2	ISP M400
		600 - 800	2	ISP M600
		800 - 1000	2	ISP M800
		1000 - 1200	3	ISP M1000
		1200 - 1400	3	ISP M1200
		1400 - 1600	4	ISP M1400
		1600 - 1800	4	ISP M1600
		1800 - 2000	4	ISP M1800
		2000 - 2200	4	ISP M2000
2200 - 2400	4	ISP M2200		
3	90 MM STEEL HINGE WITH PLASTIC COVERING			PME 90
4	ZINC HINGE			G.ZM.....
5	EASY PLUG - IN HINGE			ZME.T.....
6	PIPO HINGE	M 6 M 7		PIM 6 PIM 7
7	MIDDLE PRESSURE HINGE			OBM 217
8	HIDDEN PRESSURE HINGE			GOB 218
9	HIDDEN PRESSURE HINGE STRIKER	9/20 mm 13/20 mm		GOB 218-9 GOB 218-13
10	PIN STRIKER	9/20 mm 13/20 mm		KK 350-9 KK 360-13





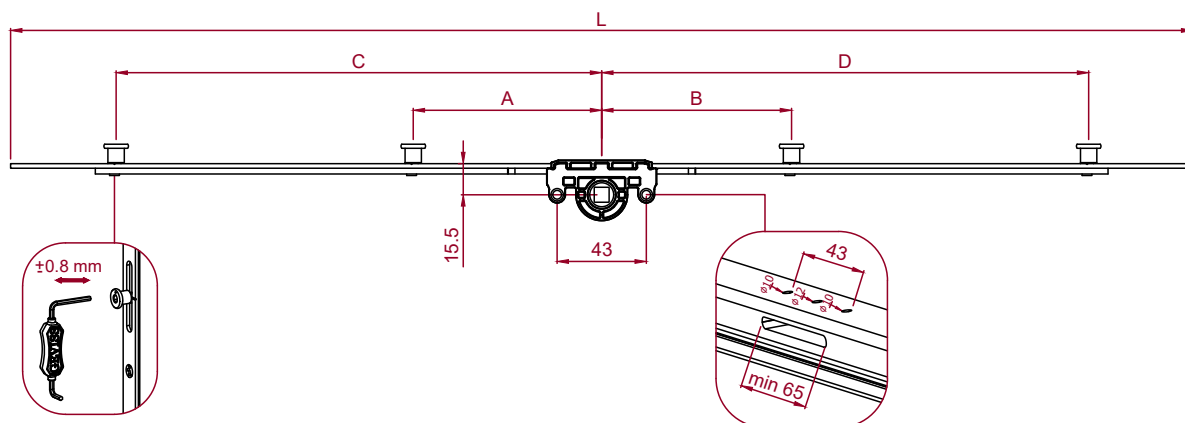
PRODUCT CODE

EXPLANATION

L (mm) **A** (mm) **B** (mm) **C** (mm) **D** (mm)



PRODUCT CODE	EXPLANATION		L (mm)	A (mm)	B (mm)	C (mm)	D (mm)			
ISP Z165	SIDE HUNG ESPAGNOLETTE ZINC HOUSING	165-250	165	-	-	-	47	1	2	20
ISP Z300		250-400	250	-	-	73	55	2	2	20
ISP Z400		400-600	400	-	-	136	118	2	4	20
ISP Z600		600-800	600	-	-	193	175	2	6	20
ISP Z800		800-1000	800	-	-	293	275	2	6	20
ISP Z1000		1000-1200	1000	-	151	393	375	3	8	20
ISP Z1200		1200-1400	1200	-	151	493	475	3	8	20
ISP Z1400		1400-1600	1400	169	151	593	575	4	10	20
ISP Z1600		1600-1800	1600	234	216	693	675	4	12	20
ISP Z1800		1800-2000	1800	269	251	793	775	4	12	20
ISP Z2000		2000-2200	2000	289	271	893	875	4	12	20
ISP Z2200		KYO-ZG 15.5	2200-2400	2200	289	271	993	975	4	12



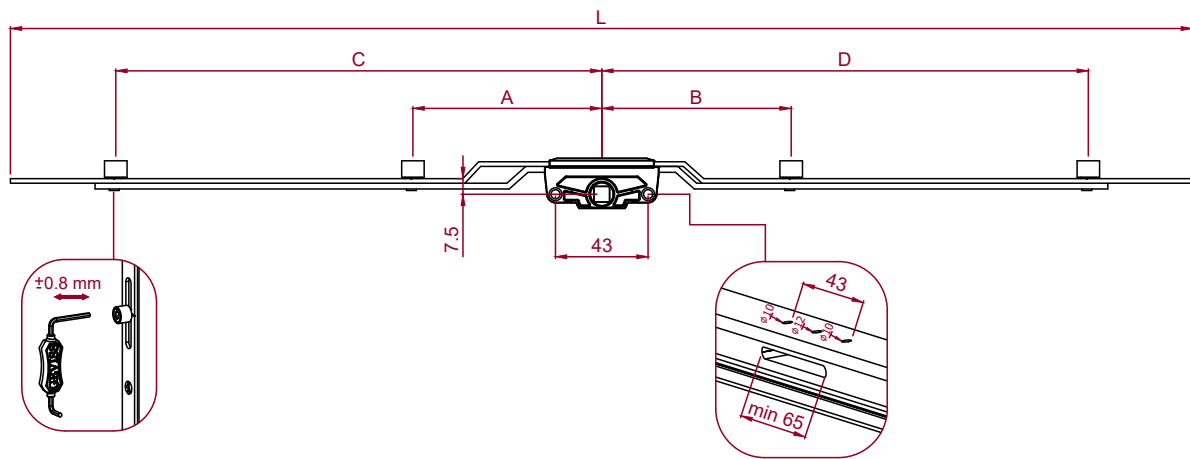
PRODUCT CODE

EXPLANATION

L (mm) **A** (mm) **B** (mm) **C** (mm) **D** (mm)



PRODUCT CODE	EXPLANATION		L (mm)	A (mm)	B (mm)	C (mm)	D (mm)			
ISP Z165-G	SIDE HUNG ESPAGNOLETTE ZINC HOUSING - SECURITY	165-250	165	-	-	-	47	1	2	20
ISP Z300-G		250-400	250	-	-	73	55	2	2	20
ISP Z400-G		400-600	400	-	-	136	118	2	4	20
ISP Z600-G		600-800	600	-	-	193	175	2	6	20
ISP Z800-G		800-1000	800	-	-	293	275	2	6	20
ISP Z1000-G		1000-1200	1000	-	151	393	375	3	8	20
ISP Z1200-G		1200-1400	1200	-	151	493	475	3	8	20
ISP Z1400-G		1400-1600	1400	169	151	593	575	4	10	20
ISP Z1600-G		1600-1800	1600	234	216	693	675	4	12	20
ISP Z1800-G		1800-2000	1800	269	251	793	775	4	12	20
ISP Z2000-G		2000-2200	2000	289	271	893	875	4	12	20
ISP Z2200-G		KYO-ZG 15.5	2200-2400	2200	289	271	993	975	4	12

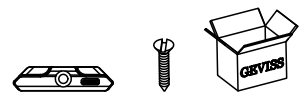


PRODUCT CODE

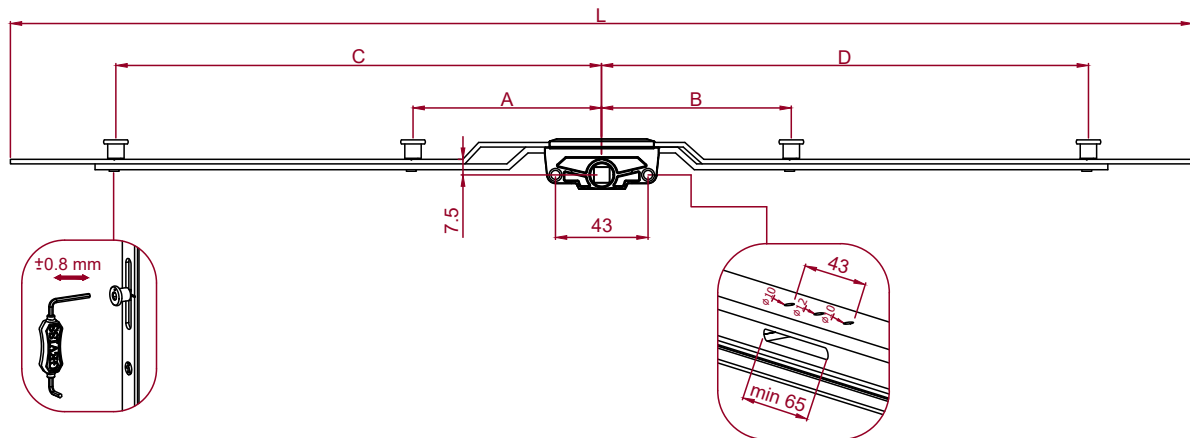
EXPLANATION



L (mm) **A** (mm) **B** (mm) **C** (mm) **D** (mm)



PRODUCT CODE	EXPLANATION	L (mm)	A (mm)	B (mm)	C (mm)	D (mm)				
ISP Z400/7.5	SIDE HUNG ESPAGNOLETTE ZINC HOUSING	400-600	395	-	-	133	115	2	4	20
ISP Z600/7.5		600-800	595	-	-	190	172	2	6	20
ISP Z800/7.5		800-1000	795	-	-	290	272	2	6	20
ISP Z1000/7.5		1000-1200	995	-	148	390	372	3	8	20
ISP Z1200/7.5		1200-1400	1195	-	148	490	472	3	8	20
ISP Z1400/7.5		1400-1600	1395	166	148	590	572	4	10	20
ISP Z1600/7.5		1600-1800	1595	231	213	690	672	4	12	20
ISP Z1800/7.5		1800-2000	1795	266	248	790	772	4	12	20
ISP Z2000/7.5		2000-2200	1995	286	268	890	872	4	12	20
ISP Z2200/7.5		KYO-ZG 7.5	2200-2400	2195	286	268	990	972	4	12



PRODUCT CODE

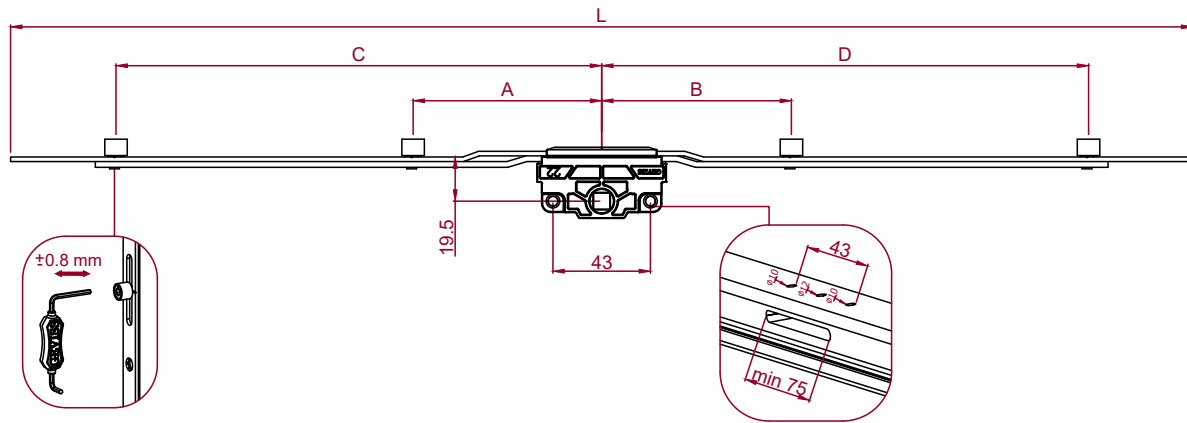
EXPLANATION



L (mm) **A** (mm) **B** (mm) **C** (mm) **D** (mm)



PRODUCT CODE	EXPLANATION	L (mm)	A (mm)	B (mm)	C (mm)	D (mm)				
ISP Z400-G/7.5	SIDE HUNG ESPAGNOLETTE ZINC HOUSING - SECURITY	400-600	395	-	-	133	115	2	4	20
ISP Z600-G/7.5		600-800	595	-	-	190	172	2	6	20
ISP Z800-G/7.5		800-1000	795	-	-	290	272	2	6	20
ISP Z1000-G/7.5		1000-1200	995	-	148	390	372	3	8	20
ISP Z1200-G/7.5		1200-1400	1195	-	148	490	472	3	8	20
ISP Z1400-G/7.5		1400-1600	1395	166	148	590	572	4	10	20
ISP Z1600-G/7.5		1600-1800	1595	231	213	690	672	4	12	20
ISP Z1800-G/7.5		1800-2000	1795	266	248	790	772	4	12	20
ISP Z2000-G/7.5		2000-2200	1995	286	268	890	872	4	12	20
ISP Z2200-G/7.5		KYO-ZG 7.5	2200-2400	2195	286	268	990	972	4	12



PRODUCT CODE

EXPLANATION

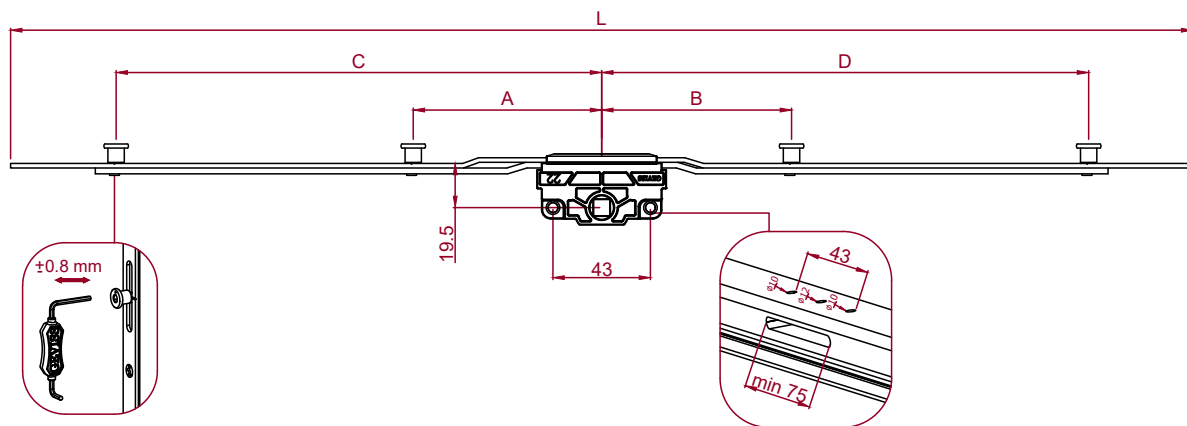


L (mm) **A** (mm) **B** (mm) **C** (mm) **D** (mm)



PRODUCT CODE	EXPLANATION	L (mm)	A (mm)	B (mm)	C (mm)	D (mm)	Screws	Boxes		
ISP Z400/19.5	SIDE HUNG ESPAGNOLETTE ZINC HOUSING	400-600	400	-	-	136	118	2	4	20
ISP Z600/19.5		600-800	600	-	-	193	175	2	6	20
ISP Z800/19.5		800-1000	800	-	-	293	275	2	6	20
ISP Z1000/19.5		1000-1200	1000	-	151	393	375	3	8	20
ISP Z1200/19.5		1200-1400	1200	-	151	493	475	3	8	20
ISP Z1400/19.5		1400-1600	1400	169	151	593	575	4	10	20
ISP Z1600/19.5		1600-1800	1600	234	216	693	675	4	12	20
ISP Z1800/19.5		1800-2000	1800	269	251	793	775	4	12	20
ISP Z2000/19.5		2000-2200	2000	289	271	893	875	4	12	20
ISP Z2200/19.5		2200-2400	2200	289	271	993	975	4	12	20

KYO-ZG 19.5



PRODUCT CODE

EXPLANATION

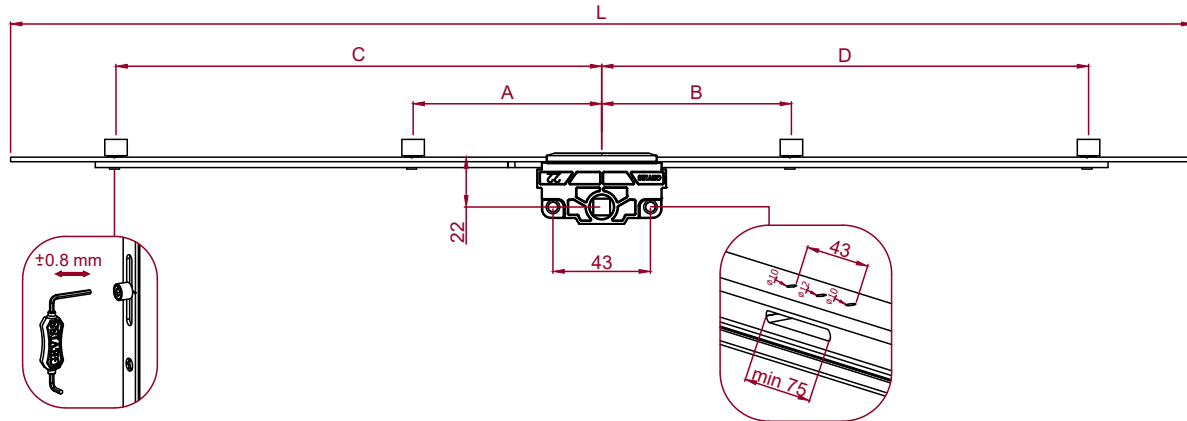


L (mm) **A** (mm) **B** (mm) **C** (mm) **D** (mm)



PRODUCT CODE	EXPLANATION	L (mm)	A (mm)	B (mm)	C (mm)	D (mm)	Screws	Boxes		
ISP Z400-G/19.5	SIDE HUNG ESPAGNOLETTE ZINC HOUSING - SECURITY	400-600	400	-	-	136	118	2	4	20
ISP Z600-G/19.5		600-800	600	-	-	193	175	2	6	20
ISP Z800-G/19.5		800-1000	800	-	-	293	275	2	6	20
ISP Z1000-G/19.5		1000-1200	1000	-	151	393	375	3	8	20
ISP Z1200-G/19.5		1200-1400	1200	-	151	493	475	3	8	20
ISP Z1400-G/19.5		1400-1600	1400	169	151	593	575	4	10	20
ISP Z1600-G/19.5		1600-1800	1600	234	216	693	675	4	12	20
ISP Z1800-G/19.5		1800-2000	1800	269	251	793	775	4	12	20
ISP Z2000-G/19.5		2000-2200	2000	289	271	893	875	4	12	20
ISP Z2200-G/19.5		2200-2400	2200	289	271	993	975	4	12	20

KYO-ZG 19.5



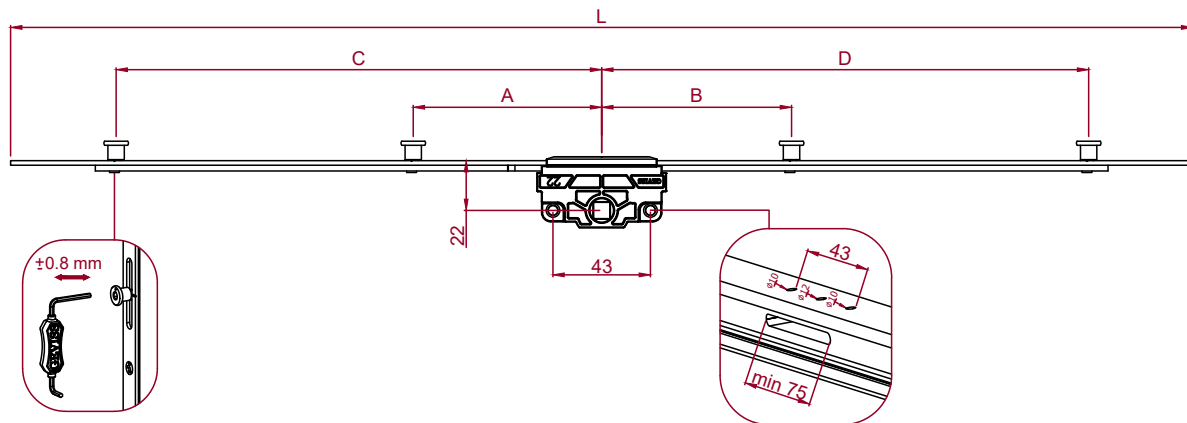
PRODUCT CODE

EXPLANATION

L (mm) **A** (mm) **B** (mm) **C** (mm) **D** (mm)



PRODUCT CODE	EXPLANATION	L (mm)	A (mm)	B (mm)	C (mm)	D (mm)				
ISP Z165/22	SIDE HUNG ESPAGNOLETTE ZINC HOUSING	165-250	165	-	-	-	47	1	2	20
ISP Z300/22		250-400	250	-	-	73	55	2	2	20
ISP Z400/22		400-600	400	-	-	136	118	2	4	20
ISP Z600/22		600-800	600	-	-	193	175	2	6	20
ISP Z800/22		800-1000	800	-	-	293	275	2	6	20
ISP Z1000/22		1000-1200	1000	-	151	393	375	3	8	20
ISP Z1200/22		1200-1400	1200	-	151	493	475	3	8	20
ISP Z1400/22		1400-1600	1400	169	151	593	575	4	10	20
ISP Z1600/22		1600-1800	1600	234	216	693	675	4	12	20
ISP Z1800/22		1800-2000	1800	269	251	793	775	4	12	20
ISP Z2000/22		2000-2200	2000	289	271	893	875	4	12	20
ISP Z2200/22		KYO-ZG 22	2200-2400	2200	289	271	993	975	4	12



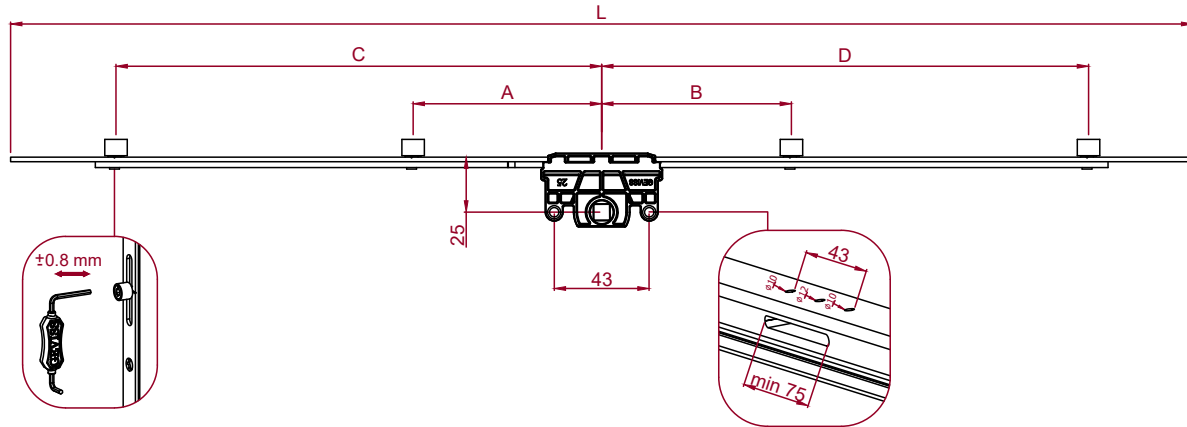
PRODUCT CODE

EXPLANATION

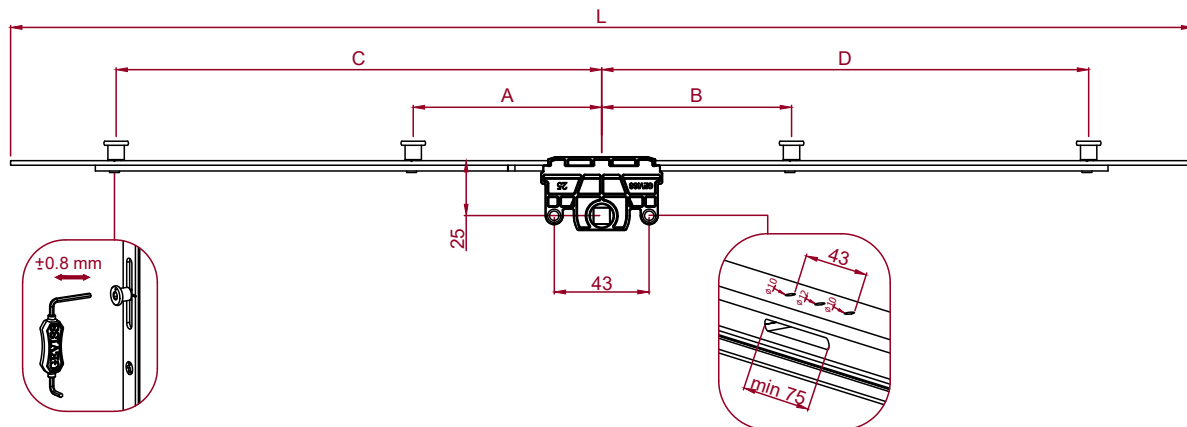
L (mm) **A** (mm) **B** (mm) **C** (mm) **D** (mm)



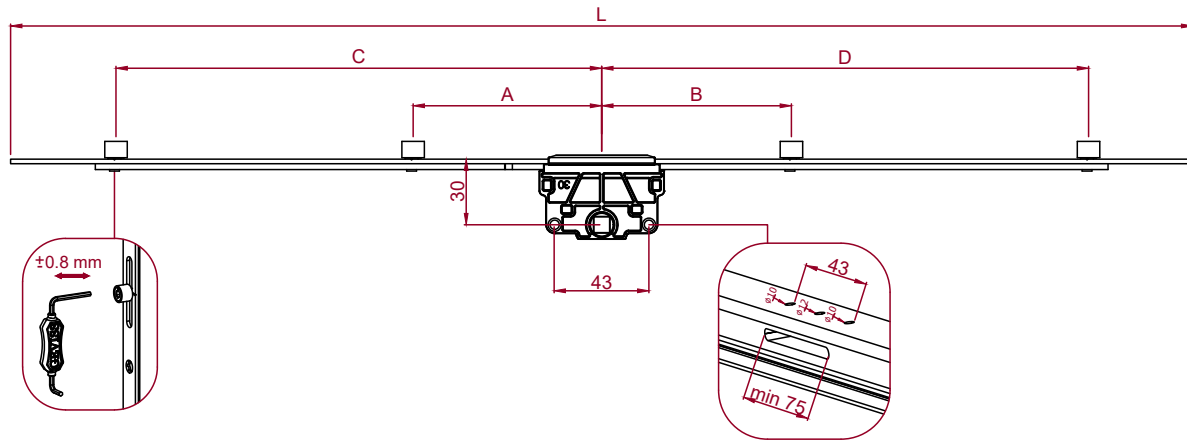
PRODUCT CODE	EXPLANATION	L (mm)	A (mm)	B (mm)	C (mm)	D (mm)				
ISP Z165-G/22	SIDE HUNG ESPAGNOLETTE ZINC HOUSING - SECURY	165-250	165	-	-	-	47	1	2	20
ISP Z300-G/22		250-400	250	-	-	73	55	2	2	20
ISP Z400-G/22		400-600	400	-	-	136	118	2	4	20
ISP Z600-G/22		600-800	600	-	-	193	175	2	6	20
ISP Z800-G/22		800-1000	800	-	-	293	275	2	6	20
ISP Z1000-G/22		1000-1200	1000	-	151	393	375	3	8	20
ISP Z1200-G/22		1200-1400	1200	-	151	493	475	3	8	20
ISP Z1400-G/22		1400-1600	1400	169	151	593	575	4	10	20
ISP Z1600-G/22		1600-1800	1600	234	216	693	675	4	12	20
ISP Z1800-G/22		1800-2000	1800	269	251	793	775	4	12	20
ISP Z2000-G/22		2000-2200	2000	289	271	893	875	4	12	20
ISP Z2200-G/22		KYO-ZG 22	2200-2400	2200	289	271	993	975	4	12



PRODUCT CODE	EXPLANATION		L (mm)	A (mm)	B (mm)	C (mm)	D (mm)			
ISP Z165/25	SIDE HUNG ESPAGNOLETTE ZINC HOUSING	165-250	165	-	-	-	47	1	2	15
ISP Z300/25		250-400	250	-	-	73	55	2	2	15
ISP Z400/25		400-600	400	-	-	136	118	2	4	15
ISP Z600/25		600-800	600	-	-	193	175	2	6	15
ISP Z800/25		800-1000	800	-	-	293	275	2	6	15
ISP Z1000/25		1000-1200	1000	-	151	393	375	3	8	15
ISP Z1200/25		1200-1400	1200	-	151	493	475	3	8	15
ISP Z1400/25		1400-1600	1400	169	151	593	575	4	10	15
ISP Z1600/25		1600-1800	1600	234	216	693	675	4	12	15
ISP Z1800/25		1800-2000	1800	269	251	793	775	4	12	15
ISP Z2000/25		2000-2200	2000	289	271	893	875	4	12	15
ISP Z2200/25		KYO-ZG 25	2200-2400	2200	289	271	993	975	4	12



PRODUCT CODE	EXPLANATION		L (mm)	A (mm)	B (mm)	C (mm)	D (mm)			
ISP Z165-G/25	SIDE HUNG ESPAGNOLETTE ZINC HOUSING - SECURITY	165-250	165	-	-	-	47	1	2	15
ISP Z300-G/25		250-400	250	-	-	73	55	2	2	15
ISP Z400-G/25		400-600	400	-	-	136	118	2	4	15
ISP Z600-G/25		600-800	600	-	-	193	175	2	6	15
ISP Z800-G/25		800-1000	800	-	-	293	275	2	6	15
ISP Z1000-G/25		1000-1200	1000	-	151	393	375	3	8	15
ISP Z1200-G/25		1200-1400	1200	-	151	493	475	3	8	15
ISP Z1400-G/25		1400-1600	1400	169	151	593	575	4	10	15
ISP Z1600-G/25		1600-1800	1600	234	216	693	675	4	12	15
ISP Z1800-G/25		1800-2000	1800	269	251	793	775	4	12	15
ISP Z2000-G/25		2000-2200	2000	289	271	893	875	4	12	15
ISP Z2200-G/25		KYO-ZG 25	2200-2400	2200	289	271	993	975	4	12



PRODUCT CODE

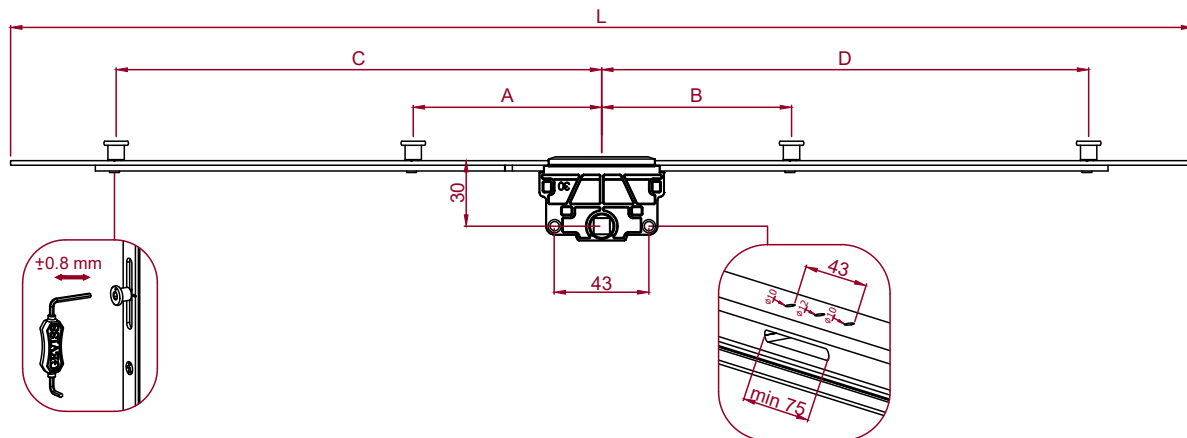
EXPLANATION



L (mm) **A** (mm) **B** (mm) **C** (mm) **D** (mm)



PRODUCT CODE	EXPLANATION	L (mm)	A (mm)	B (mm)	C (mm)	D (mm)	Bracket	Screw	Box	
ISP Z165/30	SIDE HUNG ESPAGNOLETTE ZINC HOUSING	165-250	165	-	-	-	47	1	2	10
ISP Z300/30		250-400	250	-	-	73	55	2	2	10
ISP Z400/30		400-600	400	-	-	136	118	2	4	10
ISP Z600/30		600-800	600	-	-	193	175	2	6	10
ISP Z800/30		800-1000	800	-	-	293	275	2	6	10
ISP Z1000/30		1000-1200	1000	-	151	393	375	3	8	10
ISP Z1200/30		1200-1400	1200	-	151	493	475	3	8	10
ISP Z1400/30		1400-1600	1400	169	151	593	575	4	10	10
ISP Z1600/30		1600-1800	1600	234	216	693	675	4	12	10
ISP Z1800/30		1800-2000	1800	269	251	793	775	4	12	10
ISP Z2000/30		2000-2200	2000	289	271	893	875	4	12	10
ISP Z2200/30		KYO-ZG 30	2200-2400	2200	289	271	993	975	4	12



PRODUCT CODE

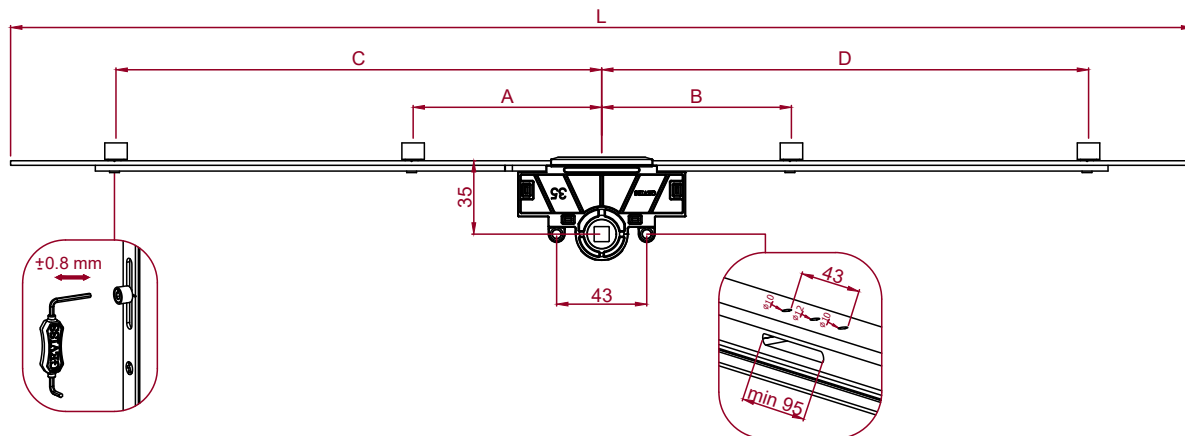
EXPLANATION

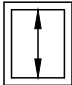





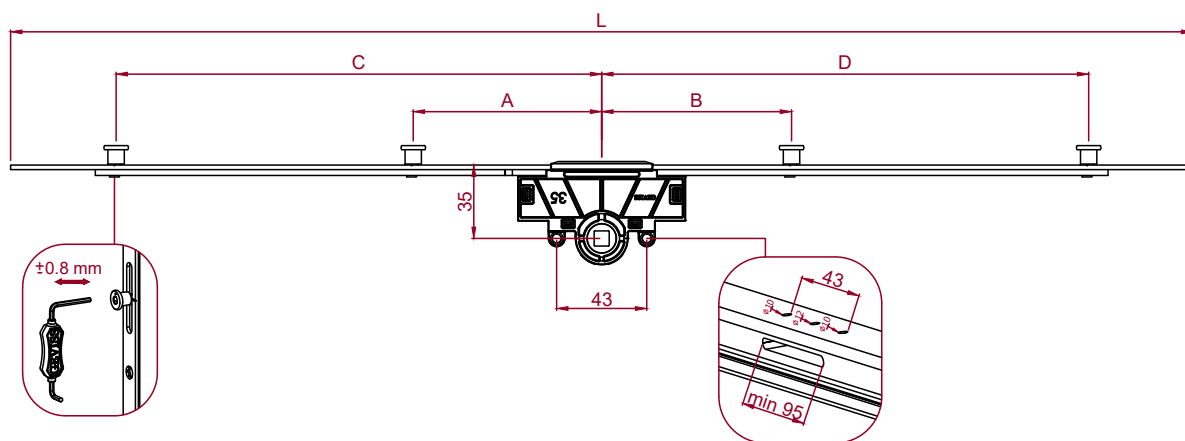
L (mm) **A** (mm) **B** (mm) **C** (mm) **D** (mm)

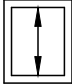





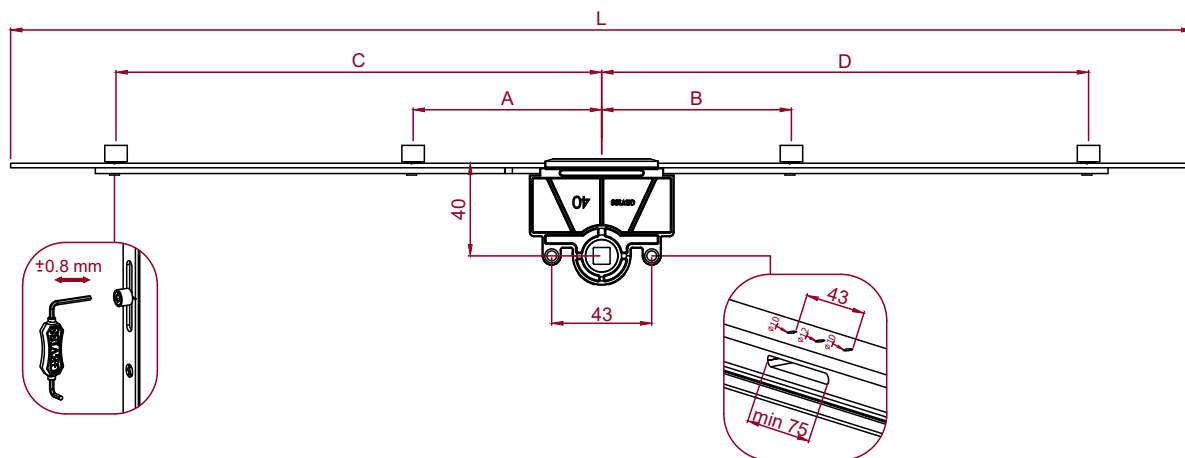
PRODUCT CODE	EXPLANATION	L (mm)	A (mm)	B (mm)	C (mm)	D (mm)	Bracket	Screw	Box	
ISP Z165-G/30	SIDE HUNG ESPAGNOLETTE ZINC HOUSING - SECURY	165-250	165	-	-	-	47	1	2	10
ISP Z300-G/30		250-400	250	-	-	73	55	2	2	10
ISP Z400-G/30		400-600	400	-	-	136	118	2	4	10
ISP Z600-G/30		600-800	600	-	-	193	175	2	6	10
ISP Z800-G/30		800-1000	800	-	-	293	275	2	6	10
ISP Z1000-G/30		1000-1200	1000	-	151	393	375	3	8	10
ISP Z1200-G/30		1200-1400	1200	-	151	493	475	3	8	10
ISP Z1400-G/30		1400-1600	1400	169	151	593	575	4	10	10
ISP Z1600-G/30		1600-1800	1600	234	216	693	675	4	12	10
ISP Z1800-G/30		1800-2000	1800	269	251	793	775	4	12	10
ISP Z2000-G/30		2000-2200	2000	289	271	893	875	4	12	10
ISP Z2200-G/30		KYO-ZG 30	2200-2400	2200	289	271	993	975	4	12



PRODUCT CODE	EXPLANATION		L (mm)	A (mm)	B (mm)	C (mm)	D (mm)			
ISP Z1600/35	SIDE HUNG ESPAGNOLETTE ZINC HOUSING KYO-ZG 35	1600-1800	1600	234	216	693	675	4	12	10
ISP Z1800/35		1800-2000	1800	269	251	793	775	4	12	10
ISP Z2000/35		2000-2200	2000	289	271	893	875	4	12	10
ISP Z2200/35		2200-2400	2200	289	271	993	975	4	12	10



PRODUCT CODE	EXPLANATION		L (mm)	A (mm)	B (mm)	C (mm)	D (mm)			
ISP Z1600-G/35	SIDE HUNG ESPAGNOLETTE ZINC HOUSING - SECURY KYO-ZG 35	1600-1800	1600	234	216	693	675	4	12	10
ISP Z1800-G/35		1800-2000	1800	269	251	793	775	4	12	10
ISP Z2000-G/35		2000-2200	2000	289	271	893	875	4	12	10
ISP Z2200-G/35		2200-2400	2200	289	271	993	975	4	12	10



PRODUCT CODE

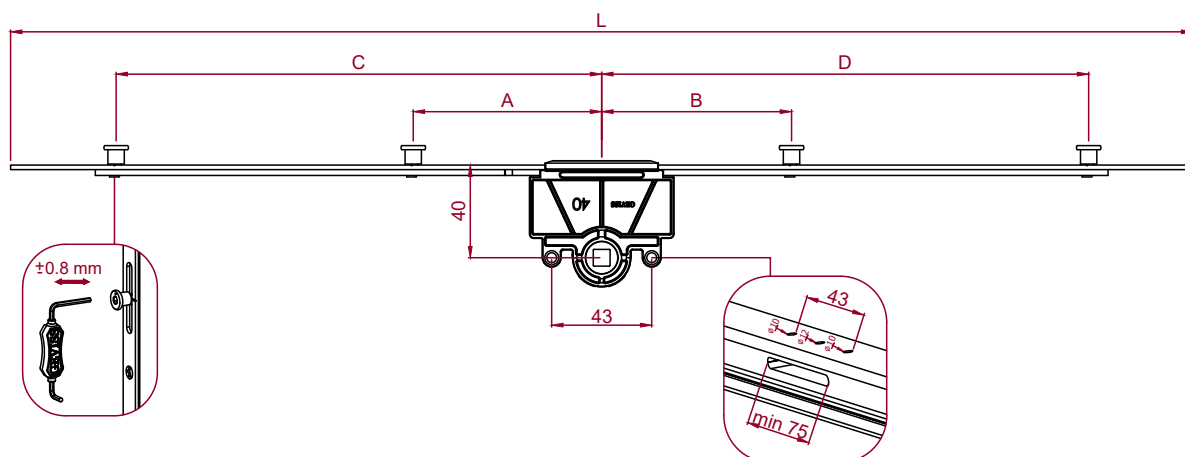
EXPLANATION



L (mm) **A** (mm) **B** (mm) **C** (mm) **D** (mm)



PRODUCT CODE	EXPLANATION	L (mm)	A (mm)	B (mm)	C (mm)	D (mm)				
ISP Z1600/40	SIDE HUNG ESPAGNOLETTE ZINC HOUSING KYO-ZG 40	1600-1800	1600	234	216	693	675	4	12	10
ISP Z1800/40		1800-2000	1800	269	251	793	775	4	12	10
ISP Z2000/40		2000-2200	2000	289	271	893	875	4	12	10
ISP Z2200/40		2200-2400	2200	289	271	993	975	4	12	10



PRODUCT CODE

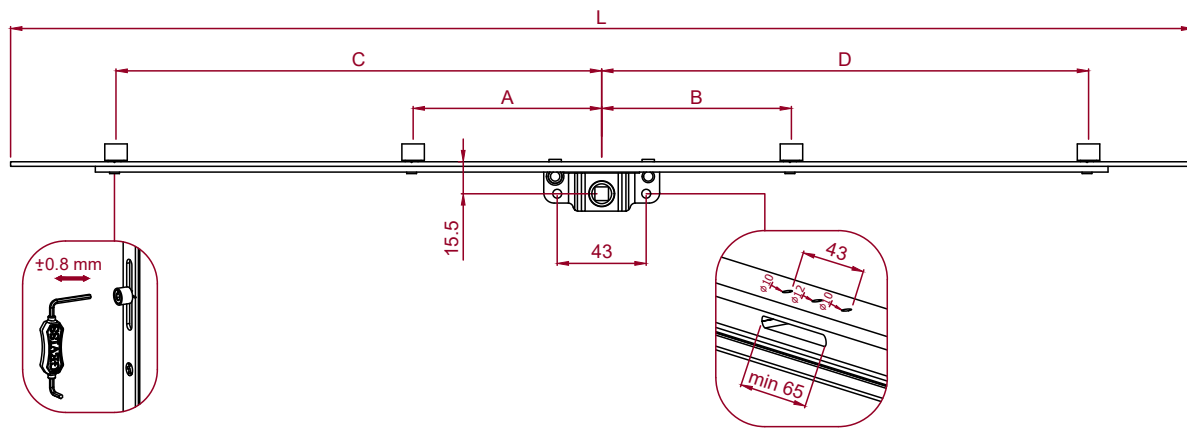
EXPLANATION



L (mm) **A** (mm) **B** (mm) **C** (mm) **D** (mm)



PRODUCT CODE	EXPLANATION	L (mm)	A (mm)	B (mm)	C (mm)	D (mm)				
ISP Z1600-G/40	SIDE HUNG ESPAGNOLETTE ZINC HOUSING - SECURY KYO-ZG 40	1600-1800	1600	234	216	693	675	4	12	10
ISP Z1800-G/40		1800-2000	1800	269	251	793	775	4	12	10
ISP Z2000-G/40		2000-2200	2000	289	271	893	875	4	12	10
ISP Z2200-G/40		2200-2400	2200	289	271	993	975	4	12	10

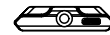


PRODUCT CODE

EXPLANATION



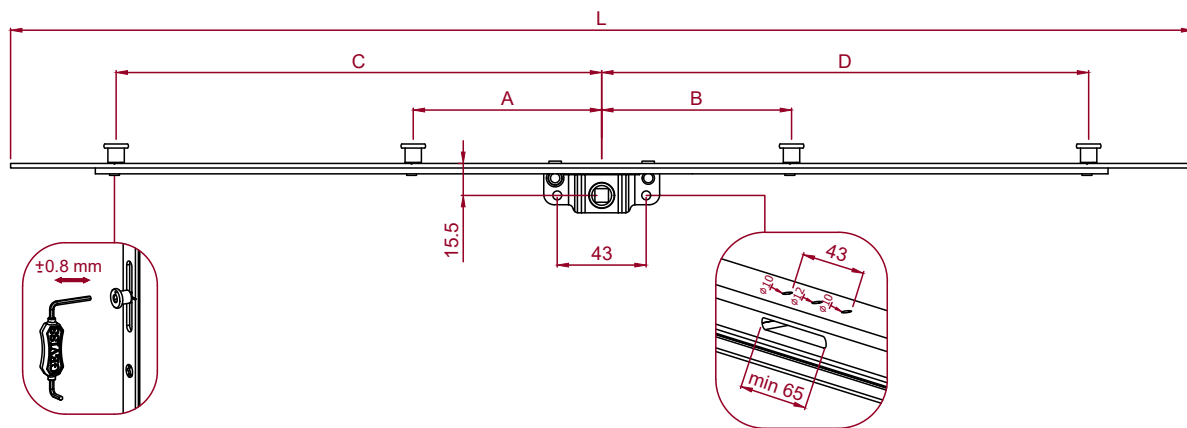
L (mm) **A** (mm) **B** (mm) **C** (mm) **D** (mm)



**SIDE HUNG ESPAGNOLETTE
METAL HOUSING**

KYO-MG 15.5

PRODUCT CODE	EXPLANATION	L (mm)	A (mm)	B (mm)	C (mm)	D (mm)	Roller	Screw	Box	
ISP M300	SIDE HUNG ESPAGNOLETTE METAL HOUSING	250-400	250	-	-	73	55	2	2	20
ISP M400		400-600	400	-	-	136	118	2	4	20
ISP M600		600-800	600	-	-	193	175	2	6	20
ISP M800		800-1000	800	-	-	293	275	2	6	20
ISP M1000		1000-1200	1000	-	151	393	375	3	8	20
ISP M1200		1200-1400	1200	-	151	493	475	3	8	20
ISP M1400		1400-1600	1400	169	151	593	575	4	10	20
ISP M1600		1600-1800	1600	234	216	693	675	4	12	20
ISP M1800		1800-2000	1800	269	251	793	775	4	12	20
ISP M2000		2000-2200	2000	289	271	893	875	4	12	20
ISP M2200		2200-2400	2200	289	271	993	975	4	12	20

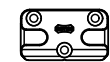


PRODUCT CODE

EXPLANATION



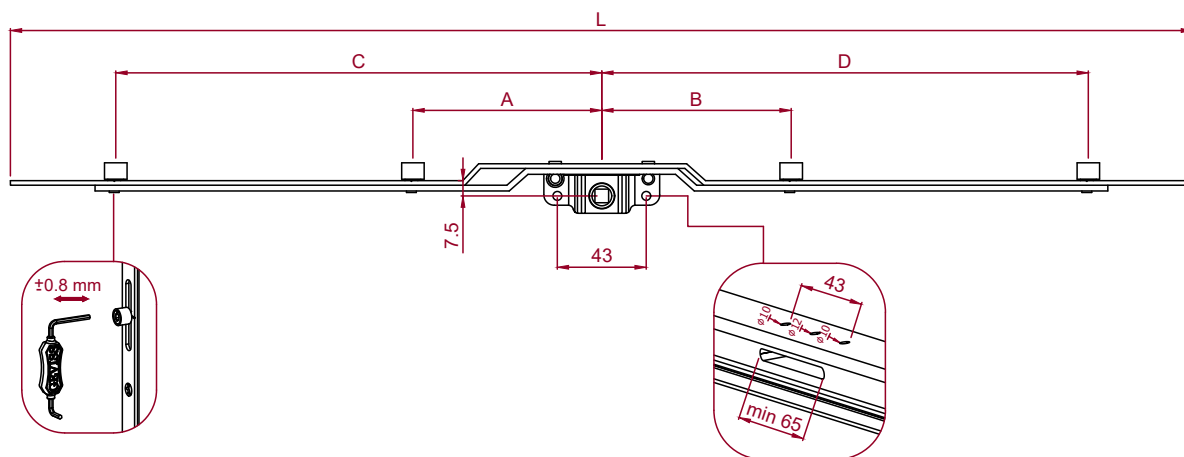
L (mm) **A** (mm) **B** (mm) **C** (mm) **D** (mm)



**SIDE HUNG ESPAGNOLETTE
METAL HOUSING - SECURITY**

KYO-MG 15.5

PRODUCT CODE	EXPLANATION	L (mm)	A (mm)	B (mm)	C (mm)	D (mm)	Roller	Screw	Box	
ISP M300-G	SIDE HUNG ESPAGNOLETTE METAL HOUSING - SECURITY	250-400	250	-	-	73	55	2	2	20
ISP M400-G		400-600	400	-	-	136	118	2	4	20
ISP M600-G		600-800	600	-	-	193	175	2	6	20
ISP M800-G		800-1000	800	-	-	293	275	2	6	20
ISP M1000-G		1000-1200	1000	-	151	393	375	3	8	20
ISP M1200-G		1200-1400	1200	-	151	493	475	3	8	20
ISP M1400-G		1400-1600	1400	169	151	593	575	4	10	20
ISP M1600-G		1600-1800	1600	234	216	693	675	4	12	20
ISP M1800-G		1800-2000	1800	269	251	793	775	4	12	20
ISP M2000-G		2000-2200	2000	289	271	893	875	4	12	20
ISP M2200-G		2200-2400	2200	289	271	993	975	4	12	20



PRODUCT CODE

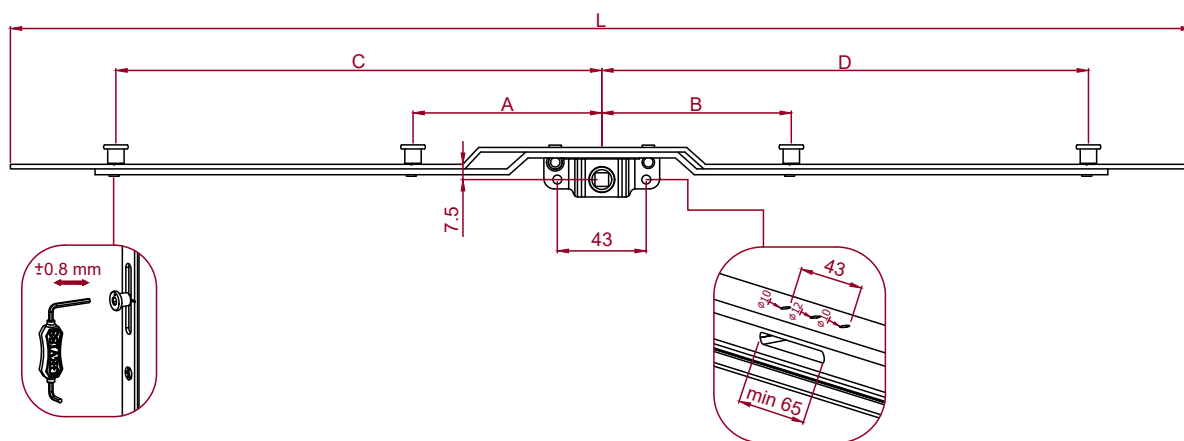
EXPLANATION



L **A** **B** **C** **D**
(mm) (mm) (mm) (mm) (mm)



PRODUCT CODE	EXPLANATION	L (mm)	A (mm)	B (mm)	C (mm)	D (mm)				
ISP M400/7.5	SIDE HUNG ESPAGNOLETTE METAL HOUSING	400-600	395	-	-	133	115	2	4	20
ISP M600/7.5		600-800	595	-	-	190	172	2	6	20
ISP M800/7.5		800-1000	795	-	-	290	272	2	6	20
ISP M1000/7.5		1000-1200	995	-	148	390	372	3	8	20
ISP M1200/7.5		1200-1400	1195	-	148	490	472	3	8	20
ISP M1400/7.5		1400-1600	1395	166	148	590	572	4	10	20
ISP M1600/7.5		1600-1800	1595	231	213	690	672	4	12	20
ISP M1800/7.5		1800-2000	1795	266	248	790	772	4	12	20
ISP M2000/7.5		2000-2200	1995	286	268	890	872	4	12	20
ISP M2200/7.5		KYO-MG 7.5	2200-2400	2195	286	268	990	972	4	12



PRODUCT CODE

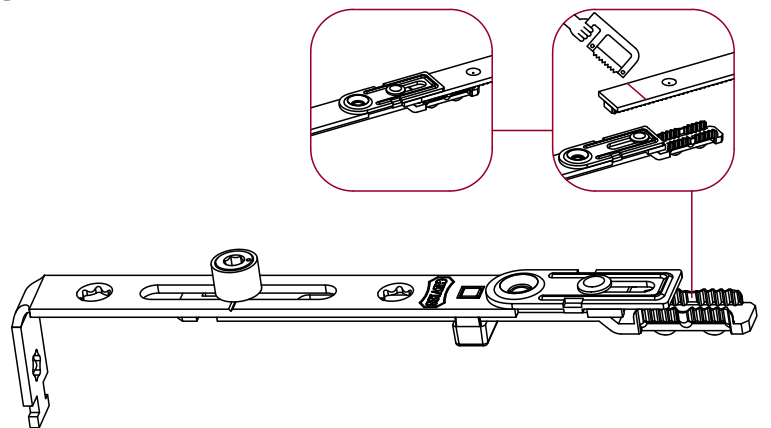
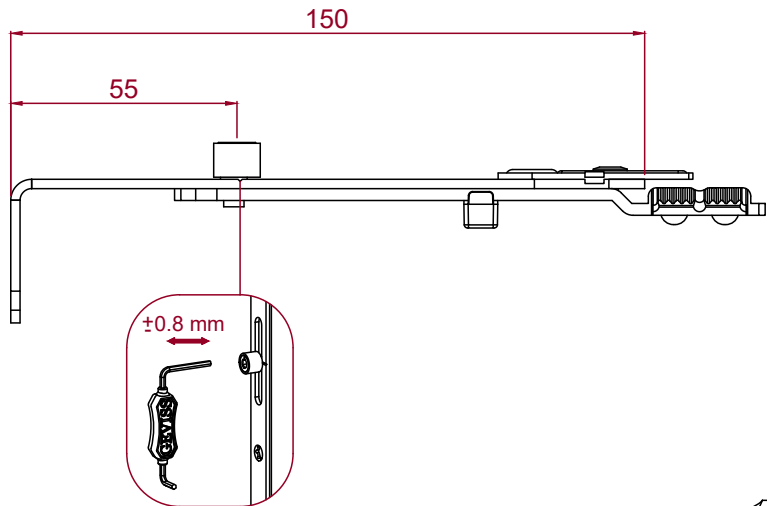
EXPLANATION



L **A** **B** **C** **D**
(mm) (mm) (mm) (mm) (mm)



PRODUCT CODE	EXPLANATION	L (mm)	A (mm)	B (mm)	C (mm)	D (mm)				
ISP M400-G/7.5	SIDE HUNG ESPAGNOLETTE METAL HOUSING - SECURITY	400-600	395	-	-	133	115	2	4	20
ISP M600-G/7.5		600-800	595	-	-	190	172	2	6	20
ISP M800-G/7.5		800-1000	795	-	-	290	272	2	6	20
ISP M1000-G/7.5		1000-1200	995	-	148	390	372	3	8	20
ISP M1200-G/7.5		1200-1400	1195	-	148	490	472	3	8	20
ISP M1400-G/7.5		1400-1600	1395	166	148	590	572	4	10	20
ISP M1600-G/7.5		1600-1800	1595	231	213	690	672	4	12	20
ISP M1800-G/7.5		1800-2000	1795	266	248	790	772	4	12	20
ISP M2000-G/7.5		2000-2200	1995	286	268	890	872	4	12	20
ISP M2200/G/7.5		KYO-MG 7.5	2200-2400	2195	286	268	990	972	4	12

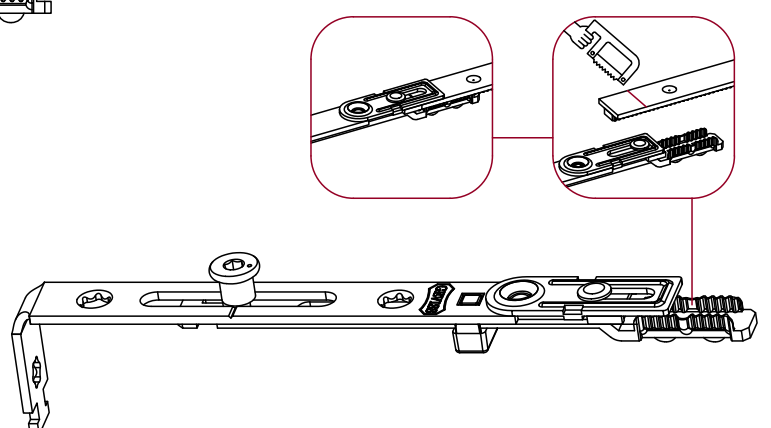
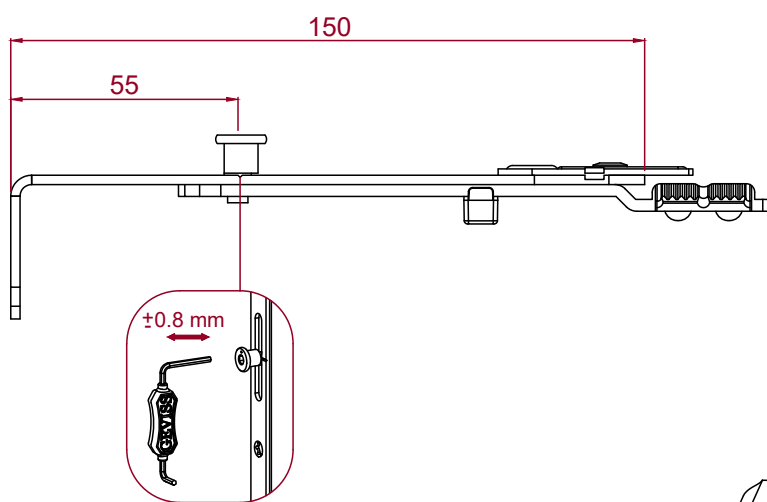


PRODUCT CODE

EXPLANATION



PRODUCT CODE	EXPLANATION	700-2200	1	4	50
TAK 101	SIDE HUNG BOTTOM / TOP LOCK				

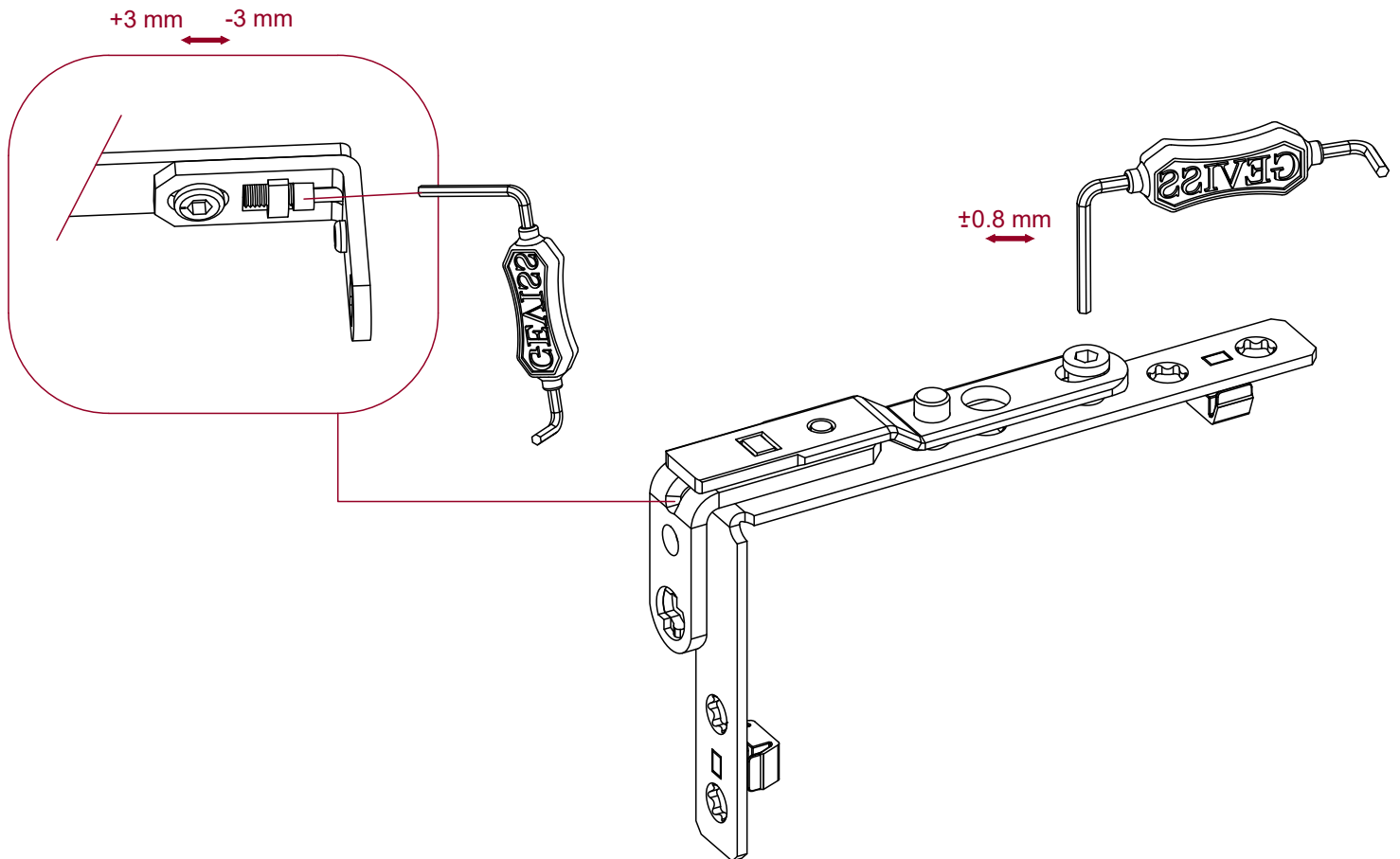
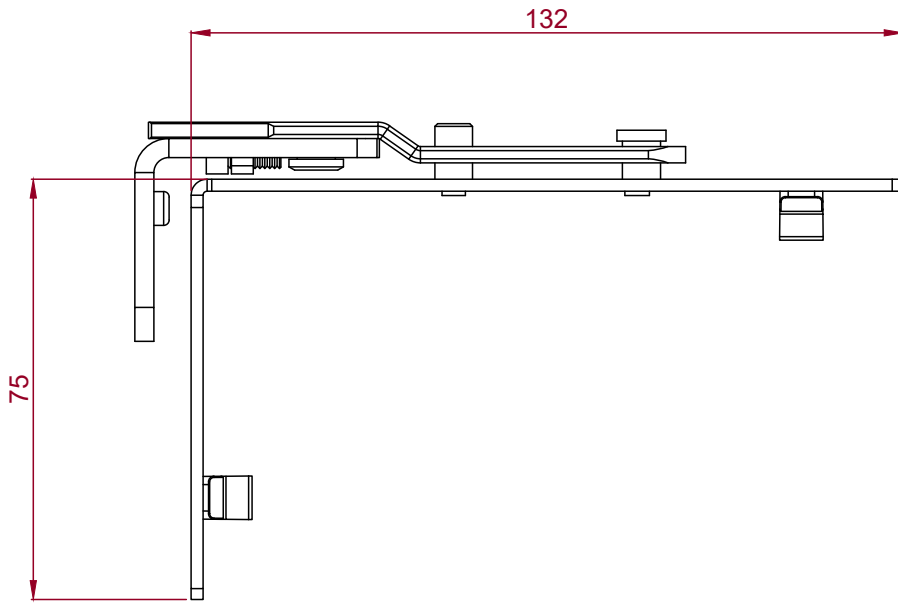


PRODUCT CODE

EXPLANATION



PRODUCT CODE	EXPLANATION	700-2200	1	4	50
TAK 101-G	SIDE HUNG BOTTOM / TOP LOCK - SECURITY				



PRODUCT CODE

EXPLANATION

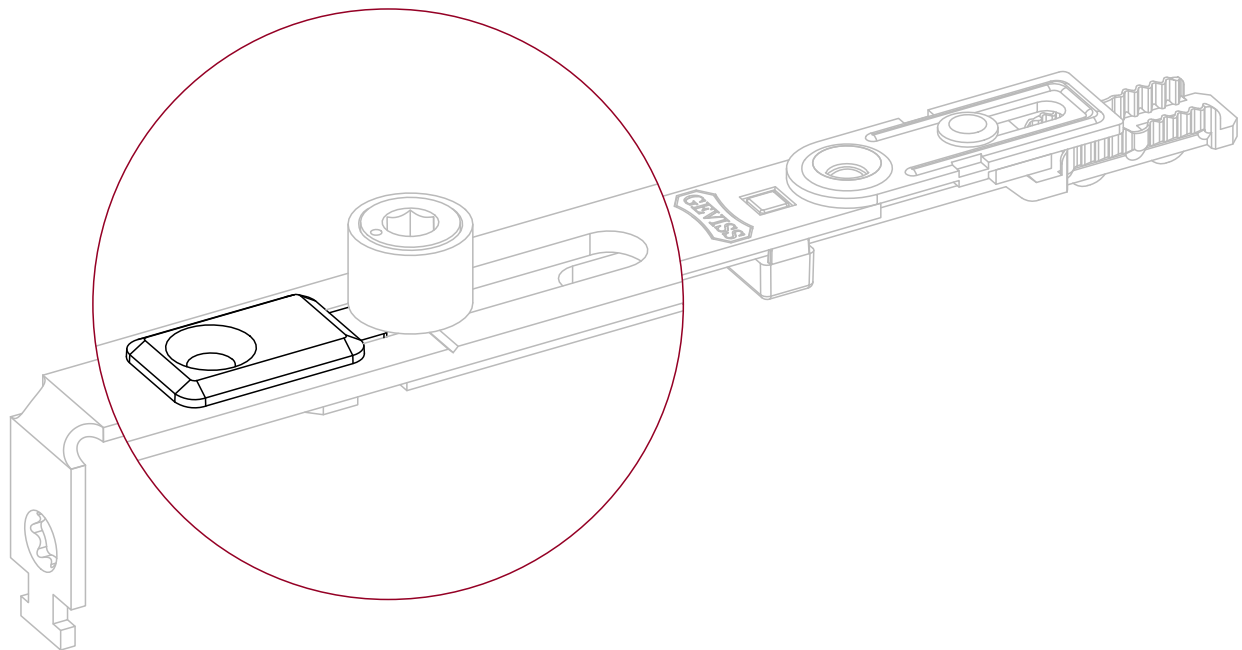
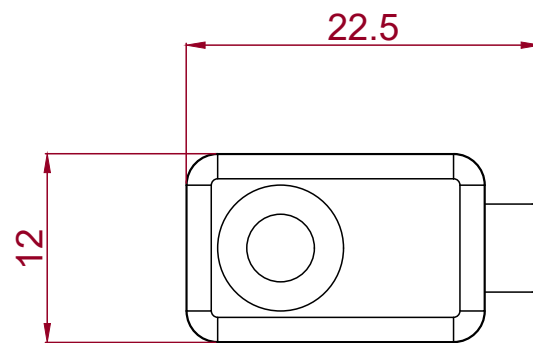
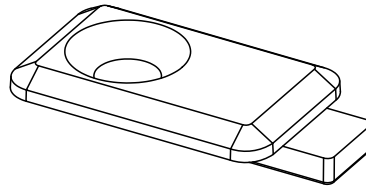


AKM 107

DOUBLE SASH ADJUSTABLE TOP HINGE

5

100



PRODUCT CODE

EXPLANATION

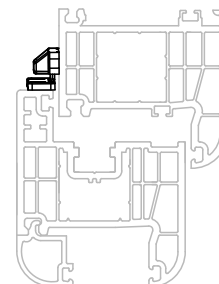
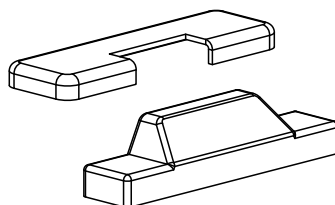
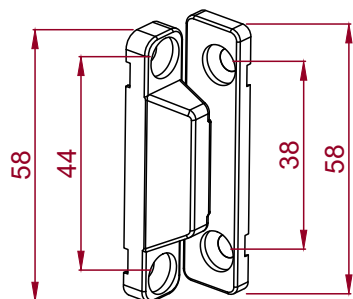


HSP Z01

MOVEMENT LIMITATION PART

1

100




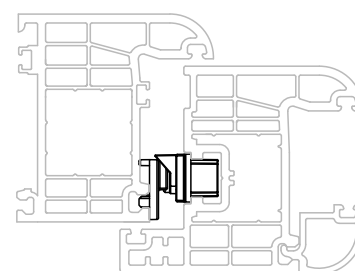
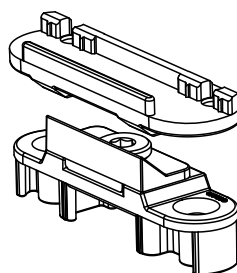
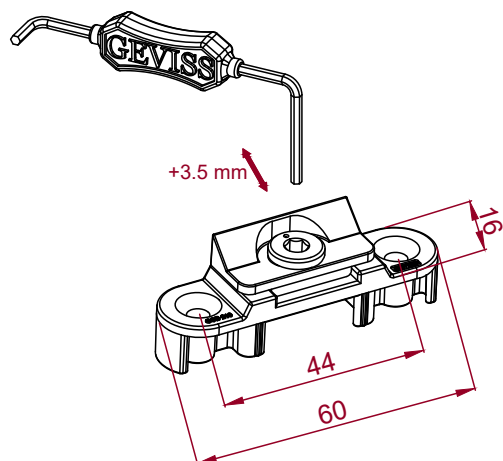
PRODUCT CODE

EXPLANATION

COLOR





PRODUCT CODE	EXPLANATION	COLOR		
OBM 217	MIDDLE PRESSURE HINGE	WHITE	4	100
OBM 218		GOLDEN OAK	4	100
OBM 219		DARK BROWN	4	100
OBM 220		PRIVATE COLOR	4	100

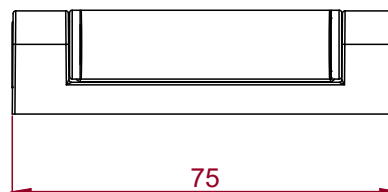
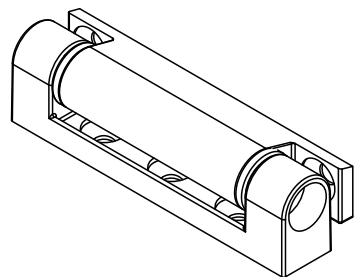


PRODUCT CODE

EXPLANATION



PRODUCT CODE	EXPLANATION		
GOB 218	HIDDEN PRESSURE HINGE	2	100



PRODUCT CODE

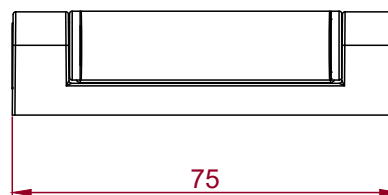
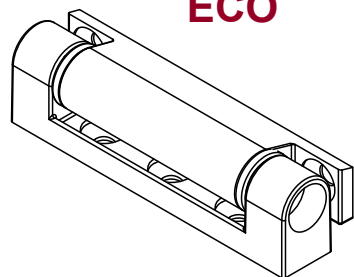
EXPLANATION

COLOR



PRODUCT CODE	EXPLANATION	COLOR		
G.ZM75.01	ZINC HINGE - 75 MM	WHITE	5	200
G.ZM75.02		GOLDEN OAK	5	200
G.ZM75.03		DARK BROWN	5	200
G.ZM75.RA		PRIVATE COLOR	5	200

ECO



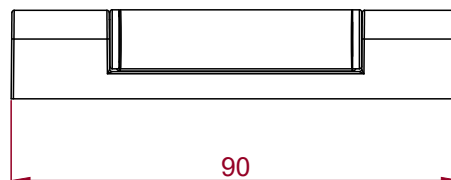
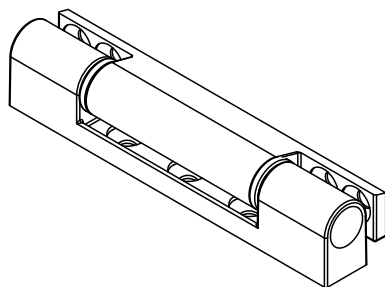
PRODUCT CODE

EXPLANATION

COLOR



PRODUCT CODE	EXPLANATION	COLOR		
G.ZM75.01E	ZINC HINGE - 75 MM ECO	WHITE	5	200
G.ZM75.02E		GOLDEN OAK	5	200
G.ZM75.03E		DARK BROWN	5	200
G.ZM75.ERA		PRIVATE COLOR	5	200



PRODUCT CODE

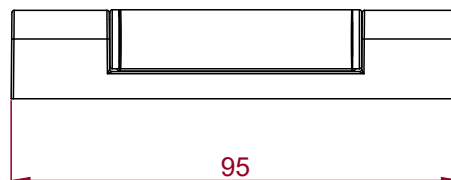
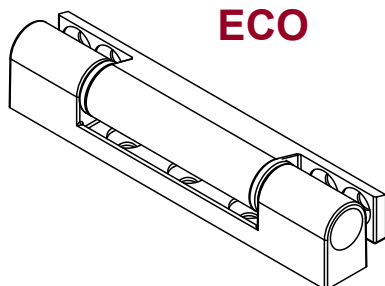
EXPLANATION

COLOR



PRODUCT CODE	EXPLANATION	COLOR		
G.ZM90.01	ZINC HINGE - 90 MM	WHITE	7	150
G.ZM90.02		GOLDEN OAK	7	150
G.ZM90.03		DARK BROWN	7	150
G.ZM90.RA		PRIVATE COLOR	7	150

ECO




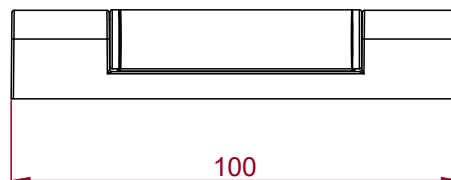
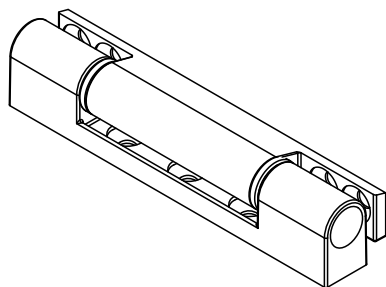
PRODUCT CODE

EXPLANATION

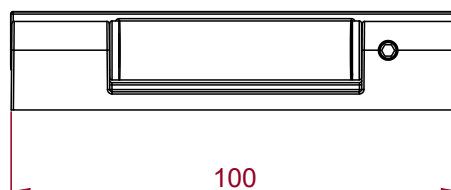
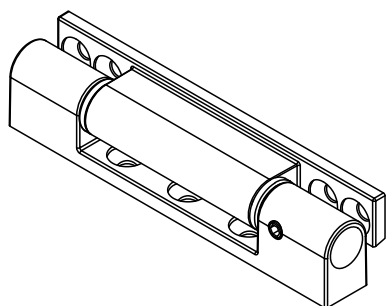
COLOR



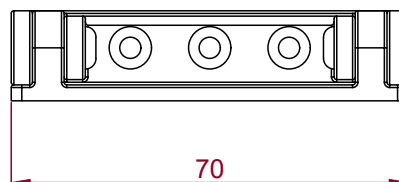
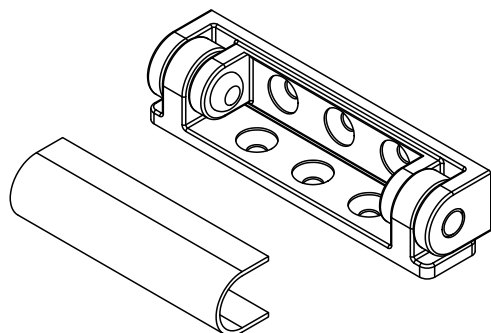
PRODUCT CODE	EXPLANATION	COLOR		
G.ZM95.01E	ZINC HINGE - 95 MM ECO	WHITE	7	150
G.ZM95.02E		GOLDEN OAK	7	150
G.ZM95.03E		DARK BROWN	7	150
G.ZM95.ERA		PRIVATE COLOR	7	150



PRODUCT CODE	EXPLANATION	COLOR		
G.ZM100.01	ZINC HINGE - 100 MM	WHITE	7	150
G.ZM100.02		GOLDEN OAK	7	150
G.ZM100.03		DARK BROWN	7	150
G.ZM100.RA		PRIVATE COLOR	7	150



PRODUCT CODE	EXPLANATION	COLOR		
G.ZM100D.01	ZINC HINGE OUTWARD OPENING	WHITE	7	150
G.ZM100D.02		GOLDEN OAK	7	150
G.ZM100D.03		DARK BROWN	7	150
G.ZM100D.RA		PRIVATE COLOR	7	150




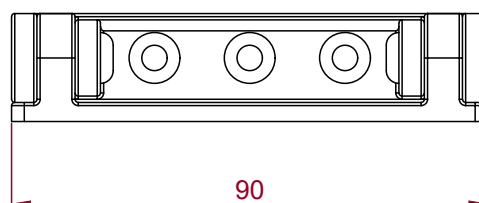
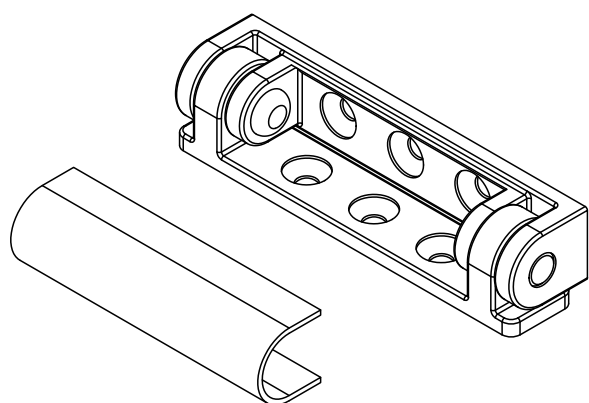
PRODUCT CODE

EXPLANATION

COLOR



PRODUCT CODE	EXPLANATION	COLOR		
ZME T70.01	EASY PLUG-IN HINGE - 70 MM	WHITE	6	200
ZME T70.02		GOLDEN OAK	6	200
ZME T70.03		DARK BROWN	6	200
ZME T70.RA		PRIVATE COLOR	6	200



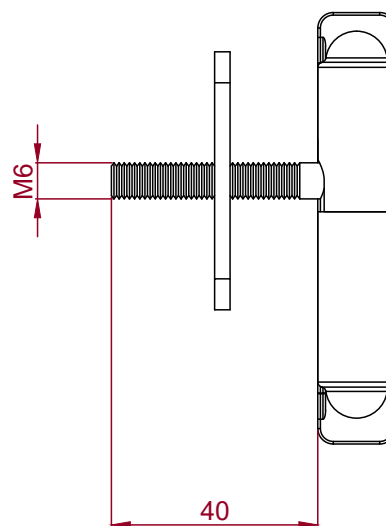
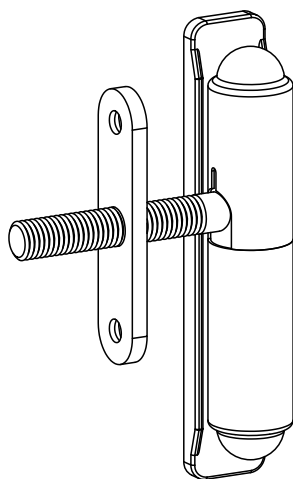
PRODUCT CODE

EXPLANATION

COLOR



PRODUCT CODE	EXPLANATION	COLOR		
ZME T90.01	EASY PLUG-IN HINGE - 90 MM	WHITE	6	150
ZME T90.02		GOLDEN OAK	6	150
ZME T90.03		DARK BROWN	6	150
ZME T90.RA		PRIVATE COLOR	6	150





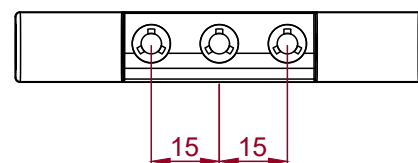
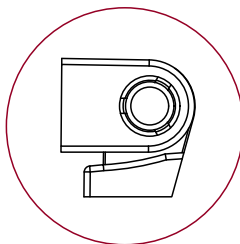
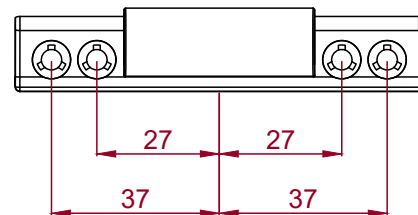
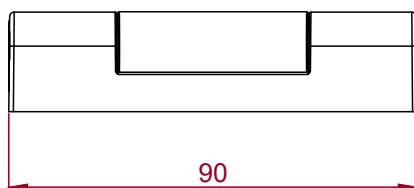
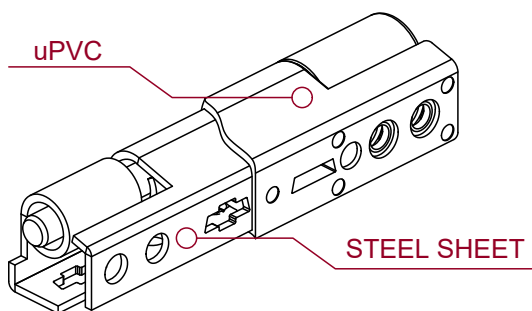
PRODUCT CODE

EXPLANATION

COLOR



PRODUCT CODE	EXPLANATION	COLOR		
PPM6 01	PIPO M6 HINGE	WHITE	4	250
PPM6 02		GOLDEN OAK	4	250
PPM6 03		DARK BROWN	4	250
PPM6 04		METALIC SILVER	4	250
PPM6 RA		PRIVATE COLOR	4	250



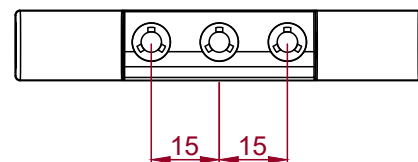
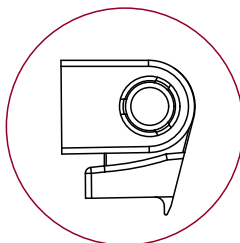
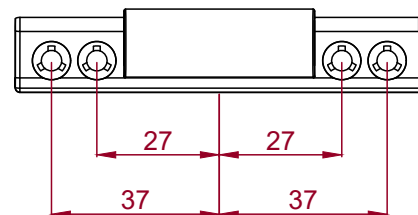
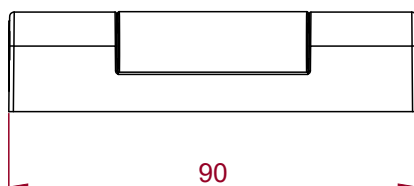
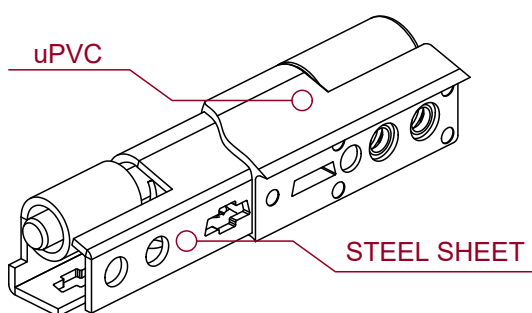
PRODUCT CODE

EXPLANATION

COLOR



PRODUCT CODE	EXPLANATION	COLOR		
PME 90.01	90 MM STEEL HINGE WITH PLASTIC COVERING	WHITE	7	150
PME 90.02		GOLDEN OAK	7	150
PME 90.03		DARK BROWN	7	150
PME 90.RA		PRIVATE COLOR	7	150



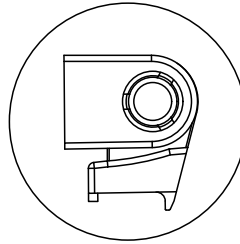
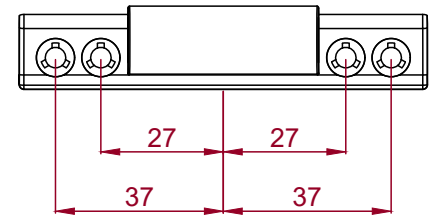
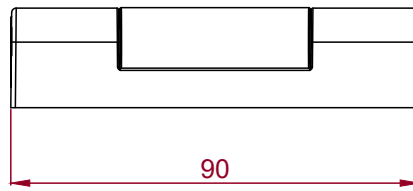
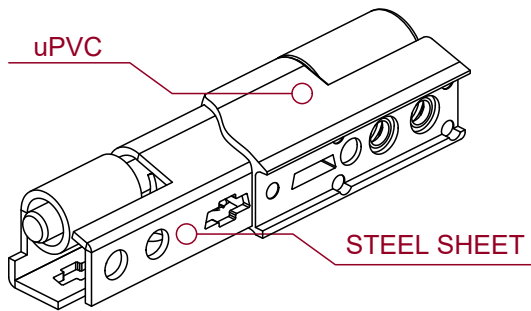
PRODUCT CODE

EXPLANATION

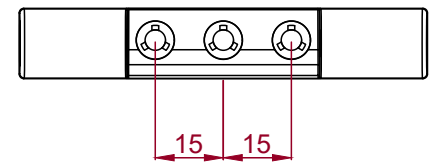
COLOR



PRODUCT CODE	EXPLANATION	COLOR		
PME T90.01	90 MM STEEL HINGE WITH PLASTIC COVERING FOR OVAL PROFILES	WHITE	7	150
PME T90.02		GOLDEN OAK	7	150
PME T90.03		DARK BROWN	7	150
PME T90.RA		PRIVATE COLOR	7	150



EGEPEN DECEUNINCK



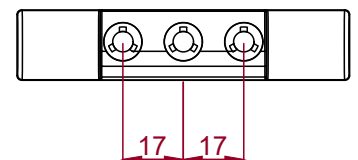
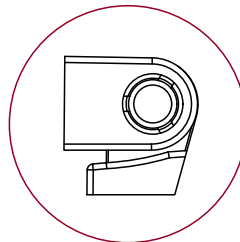
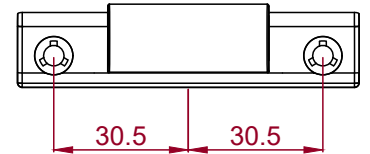
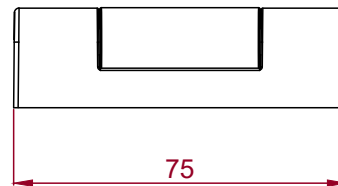
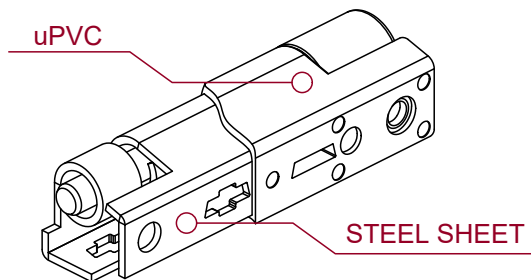
PRODUCT CODE

EXPLANATION

COLOR



PRODUCT CODE	EXPLANATION	COLOR		
PME TED90.01	90 MM STEEL HINGE WITH PLASTIC COVERING FOR OVAL PROFILES	WHITE	7	150
PME TED90.02		GOLDEN OAK	7	150
PME TED90.03		DARK BROWN	7	150
PME TED90.RA		EGEPEN DECEUNINCK	PRIVATE COLOR	7



PRODUCT CODE

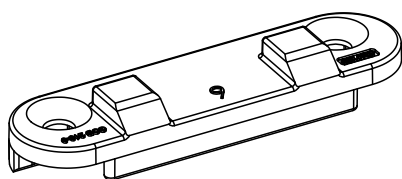
EXPLANATION

COLOR

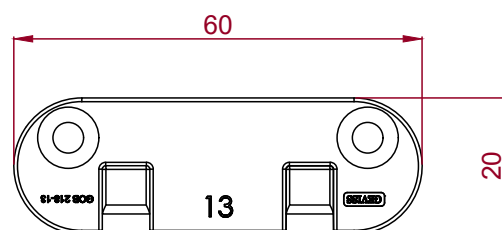
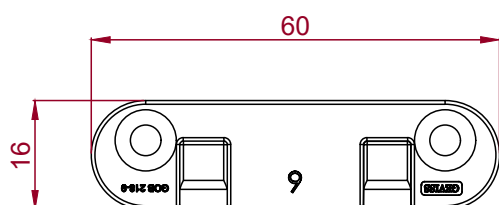
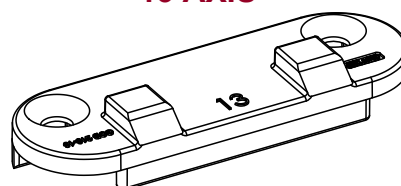


PRODUCT CODE	EXPLANATION	COLOR		
PME 75.01	75 MM STEEL HINGE WITH PLASTIC COVERING	WHITE	5	150
PME 75.02		GOLDEN OAK	5	150
PME 75.03		DARK BROWN	5	150
PME 75.RA		PRIVATE COLOR	5	150

9 AXIS





13 AXIS



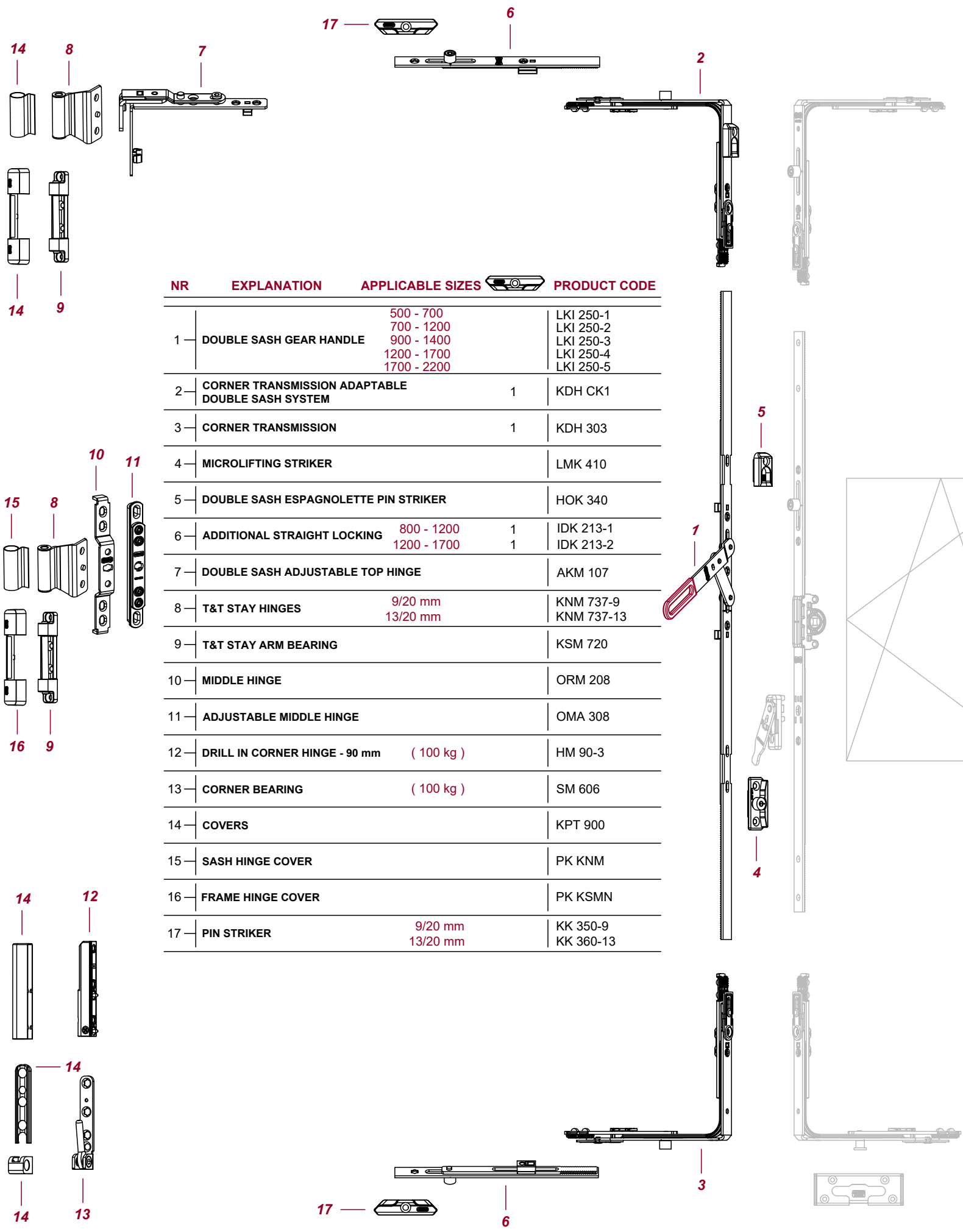
PRODUCT CODE


EXPLANATION

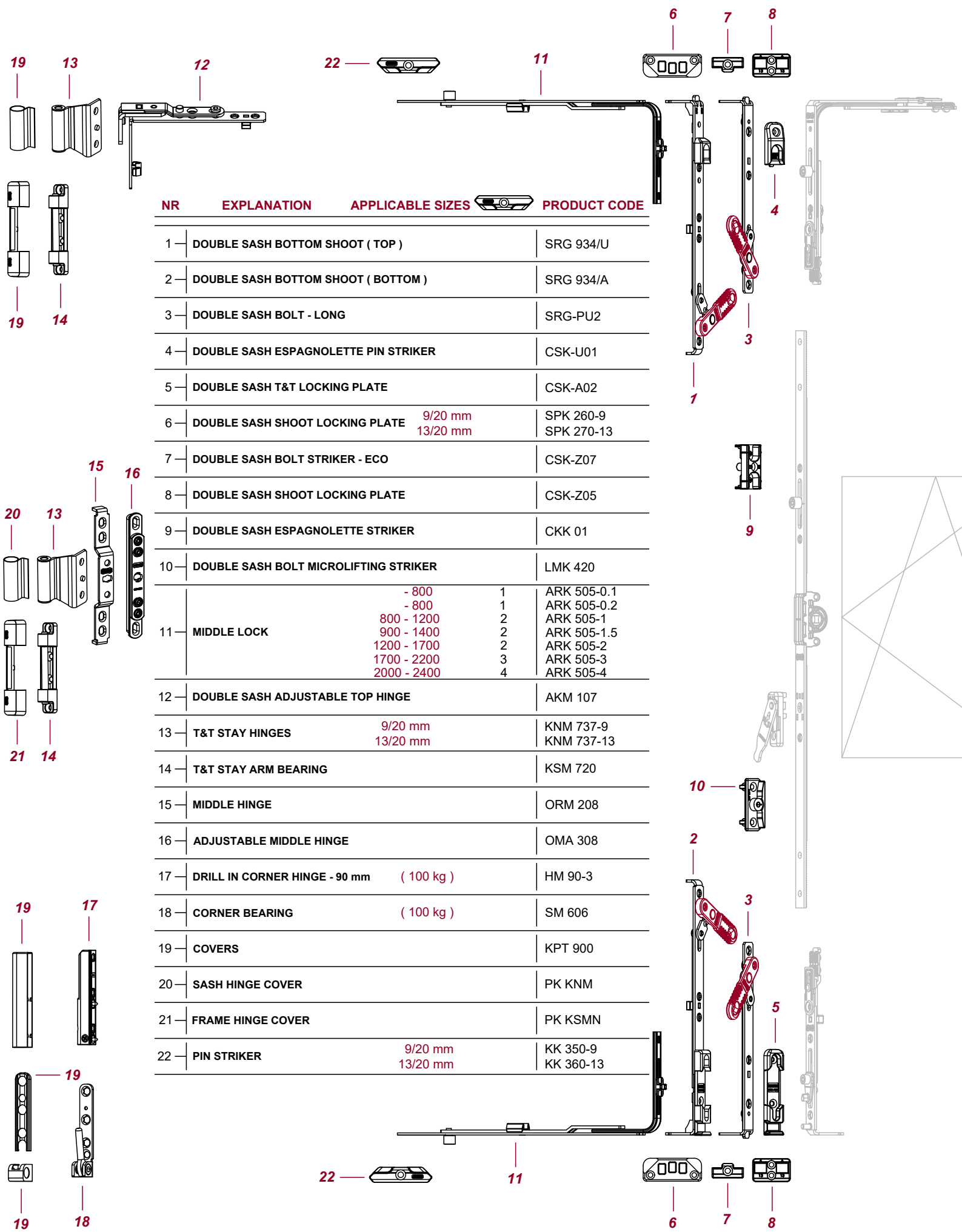


PRODUCT CODE	EXPLANATION		
GOB 218-9	HIDDEN PRESSURE HINGE STRIKER - 9 AXIS	2	100
GOP 218-13	HIDDEN PRESSURE HINGE STRIKER - 13 AXIS	2	100

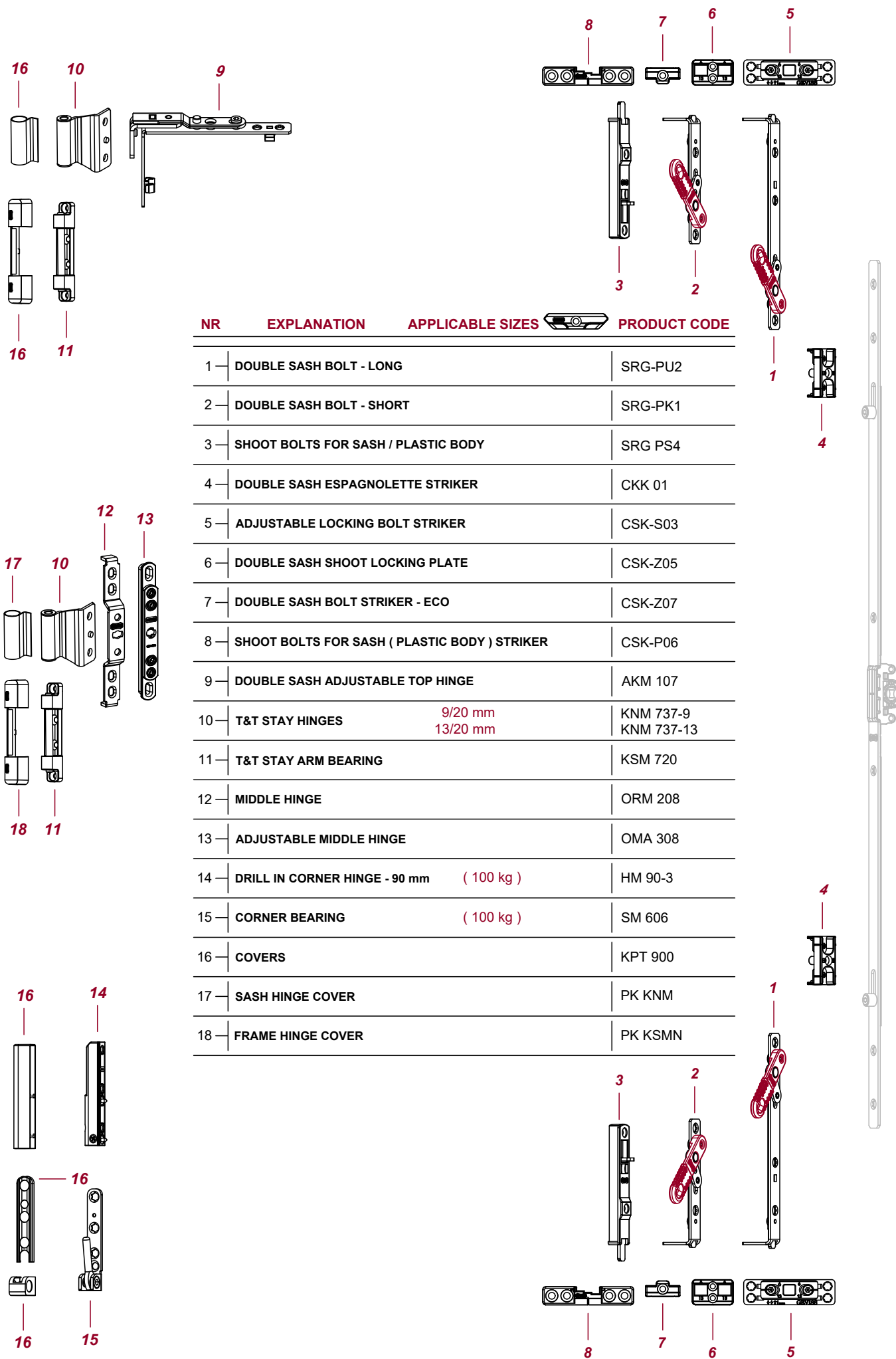




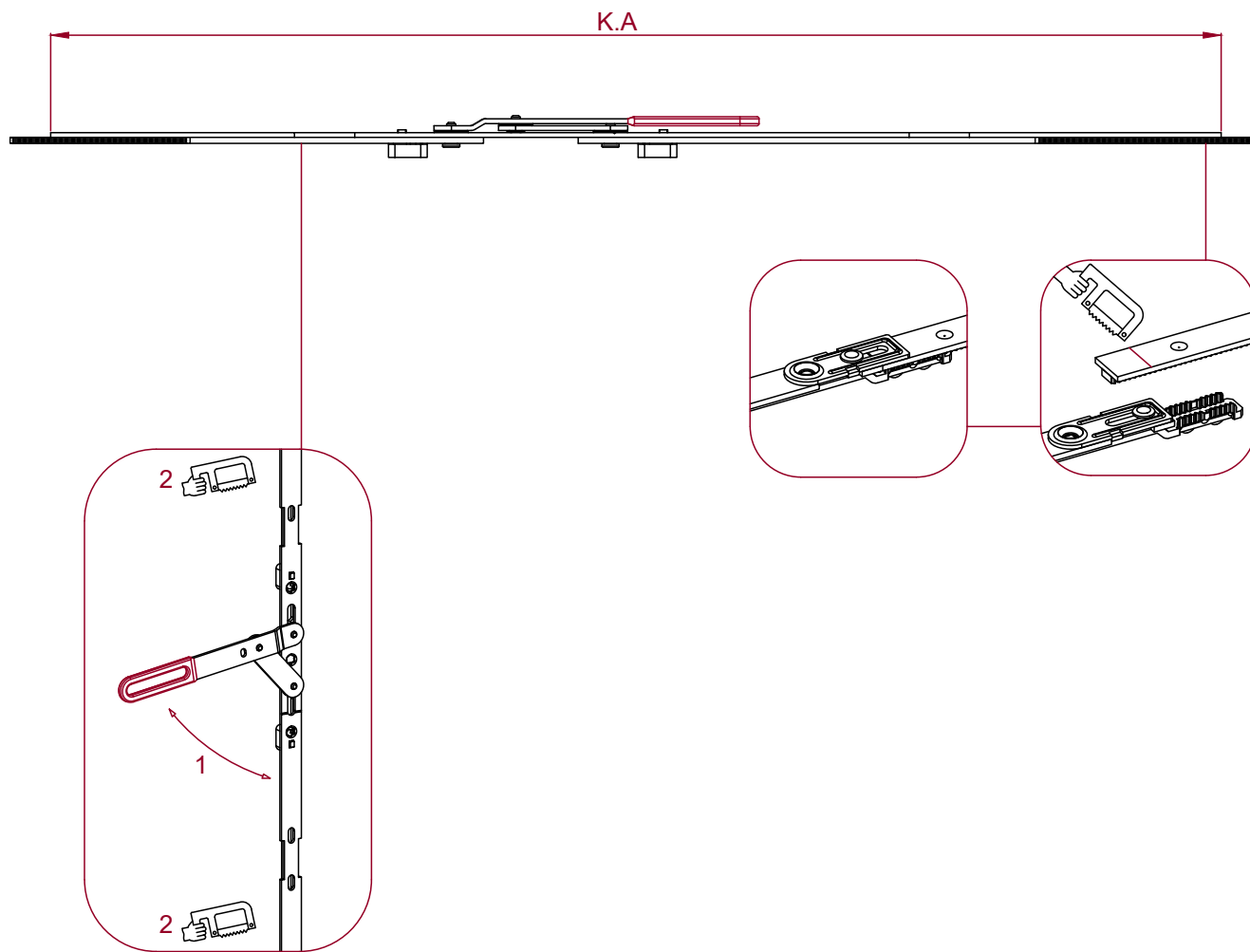
NR	EXPLANATION	APPLICABLE SIZES		PRODUCT CODE
1	DOUBLE SASH GEAR HANDLE	500 - 700	1	LKI 250-1
		700 - 1200		LKI 250-2
		900 - 1400		LKI 250-3
		1200 - 1700		LKI 250-4
		1700 - 2200		LKI 250-5
2	CORNER TRANSMISSION ADAPTABLE DOUBLE SASH SYSTEM		1	KDH CK1
3	CORNER TRANSMISSION		1	KDH 303
4	MICROLIFTING STRIKER			LMK 410
5	DOUBLE SASH ESPAGNOLETTE PIN STRIKER			HOK 340
6	ADDITIONAL STRAIGHT LOCKING	800 - 1200	1	IDK 213-1
		1200 - 1700	1	IDK 213-2
7	DOUBLE SASH ADJUSTABLE TOP HINGE			AKM 107
8	T&T STAY HINGES	9/20 mm		KNM 737-9
		13/20 mm		KNM 737-13
9	T&T STAY ARM BEARING			KSM 720
10	MIDDLE HINGE			ORM 208
11	ADJUSTABLE MIDDLE HINGE			OMA 308
12	DRILL IN CORNER HINGE - 90 mm	(100 kg)		HM 90-3
13	CORNER BEARING	(100 kg)		SM 606
14	COVERS			KPT 900
15	SASH HINGE COVER			PK KNM
16	FRAME HINGE COVER			PK KSMN
17	PIN STRIKER	9/20 mm		KK 350-9
		13/20 mm		KK 360-13



NR	EXPLANATION	APPLICABLE SIZES	PRODUCT CODE
1	DOUBLE SASH BOTTOM SHOOT (TOP)		SRG 934/U
2	DOUBLE SASH BOTTOM SHOOT (BOTTOM)		SRG 934/A
3	DOUBLE SASH BOLT - LONG		SRG-PU2
4	DOUBLE SASH ESPAGNOLETTE PIN STRIKER		CSK-U01
5	DOUBLE SASH T&T LOCKING PLATE		CSK-A02
6	DOUBLE SASH SHOOT LOCKING PLATE	9/20 mm 13/20 mm	SPK 260-9 SPK 270-13
7	DOUBLE SASH BOLT STRIKER - ECO		CSK-Z07
8	DOUBLE SASH SHOOT LOCKING PLATE		CSK-Z05
9	DOUBLE SASH ESPAGNOLETTE STRIKER		CKK 01
10	DOUBLE SASH BOLT MICROLIFTING STRIKER		LMK 420
11	MIDDLE LOCK	- 800	1 ARK 505-0.1
		- 800	1 ARK 505-0.2
		800 - 1200	2 ARK 505-1
		900 - 1400	2 ARK 505-1.5
		1200 - 1700	2 ARK 505-2
		1700 - 2200	3 ARK 505-3
2000 - 2400	4 ARK 505-4		
12	DOUBLE SASH ADJUSTABLE TOP HINGE		AKM 107
13	T&T STAY HINGES	9/20 mm 13/20 mm	KNM 737-9 KNM 737-13
14	T&T STAY ARM BEARING		KSM 720
15	MIDDLE HINGE		ORM 208
16	ADJUSTABLE MIDDLE HINGE		OMA 308
17	DRILL IN CORNER HINGE - 90 mm	(100 kg)	HM 90-3
18	CORNER BEARING	(100 kg)	SM 606
19	COVERS		KPT 900
20	SASH HINGE COVER		PK KNM
21	FRAME HINGE COVER		PK KSMN
22	PIN STRIKER	9/20 mm 13/20 mm	KK 350-9 KK 360-13



NR	EXPLANATION	APPLICABLE SIZES	PRODUCT CODE
1	DOUBLE SASH BOLT - LONG		SRG-PU2
2	DOUBLE SASH BOLT - SHORT		SRG-PK1
3	SHOOT BOLTS FOR SASH / PLASTIC BODY		SRG PS4
4	DOUBLE SASH ESPAGNOLETTE STRIKER		CKK 01
5	ADJUSTABLE LOCKING BOLT STRIKER		CSK-S03
6	DOUBLE SASH SHOOT LOCKING PLATE		CSK-Z05
7	DOUBLE SASH BOLT STRIKER - ECO		CSK-Z07
8	SHOOT BOLTS FOR SASH (PLASTIC BODY) STRIKER		CSK-P06
9	DOUBLE SASH ADJUSTABLE TOP HINGE		AKM 107
10	T&T STAY HINGES	9/20 mm 13/20 mm	KNM 737-9 KNM 737-13
11	T&T STAY ARM BEARING		KSM 720
12	MIDDLE HINGE		ORM 208
13	ADJUSTABLE MIDDLE HINGE		OMA 308
14	DRILL IN CORNER HINGE - 90 mm	(100 kg)	HM 90-3
15	CORNER BEARING	(100 kg)	SM 606
16	COVERS		KPT 900
17	SASH HINGE COVER		PK KNM
18	FRAME HINGE COVER		PK KSMN

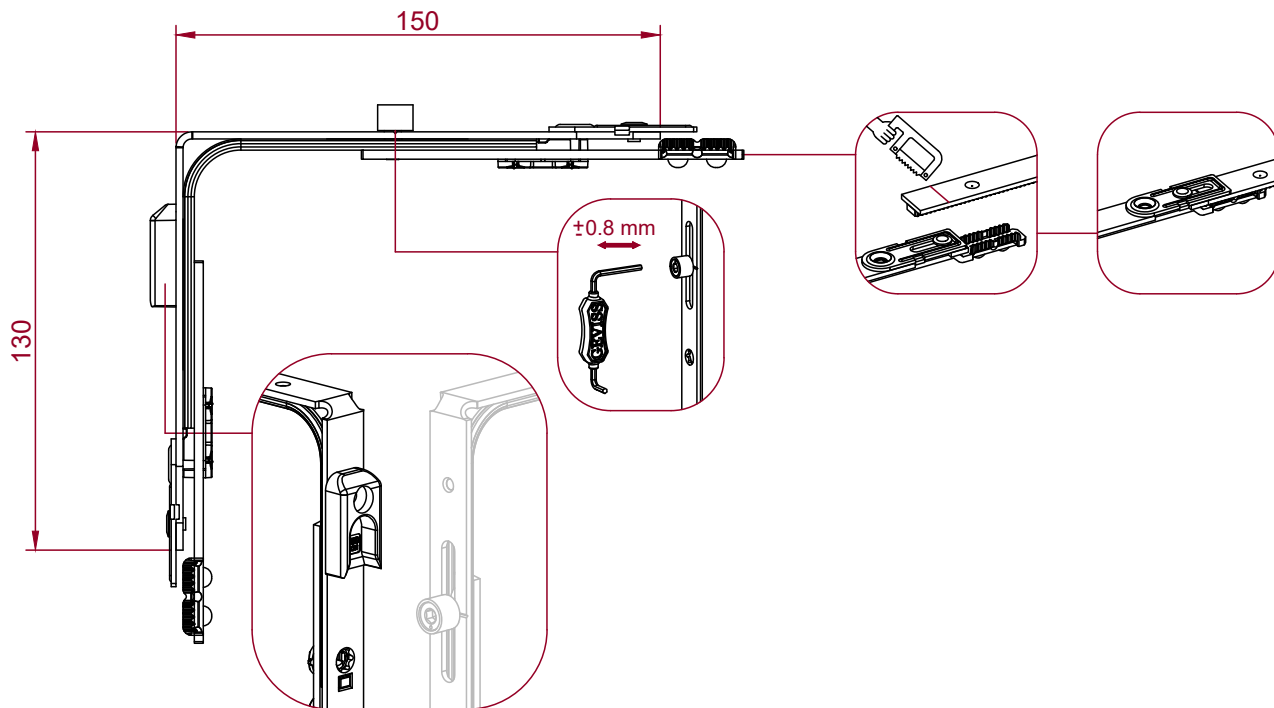


PRODUCT CODE

EXPLANATION

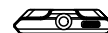


PRODUCT CODE	EXPLANATION	Window Height	Window Width	Gear Handle	Screw	Box
LKI 250-01	DOUBLE SASH GEAR HANDLE	500-700	-	-	3	10
LKI 250-02		700-1200	1	1	3	10
LKI 250-03		900-1400	1	1	5	10
LKI 250-04		1200-1700	1	2	5	10
LKI 250-05		1700-2200	1	2	5	10
LKI 250-06		1950-2450	1	2	5	10



PRODUCT CODE

EXPLANATION



KDH CK1

**CORNER TRANSMISSION ADAPTABLE
DOUBLE SASH SYSTEM**

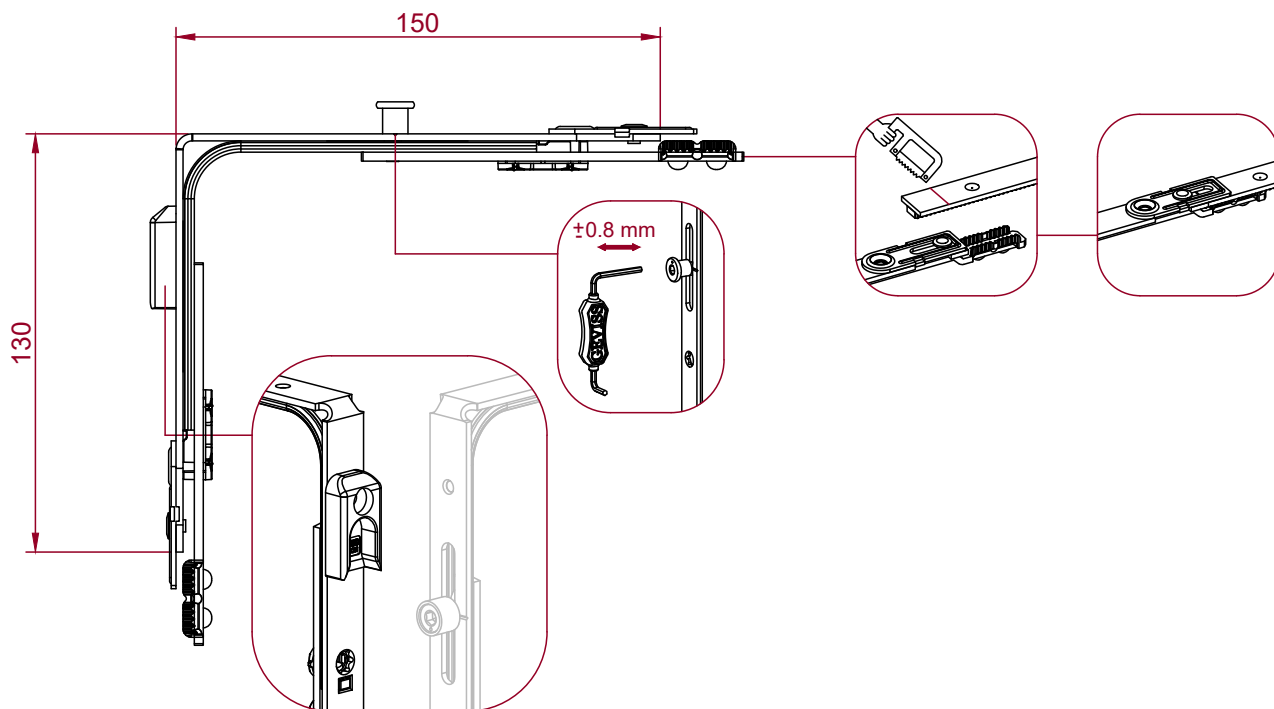
350-1350

450-2200

1

4

50



PRODUCT CODE

EXPLANATION



KDH CK1-G

**CORNER TRANSMISSION ADAPTABLE
DOUBLE SASH SYSTEM**

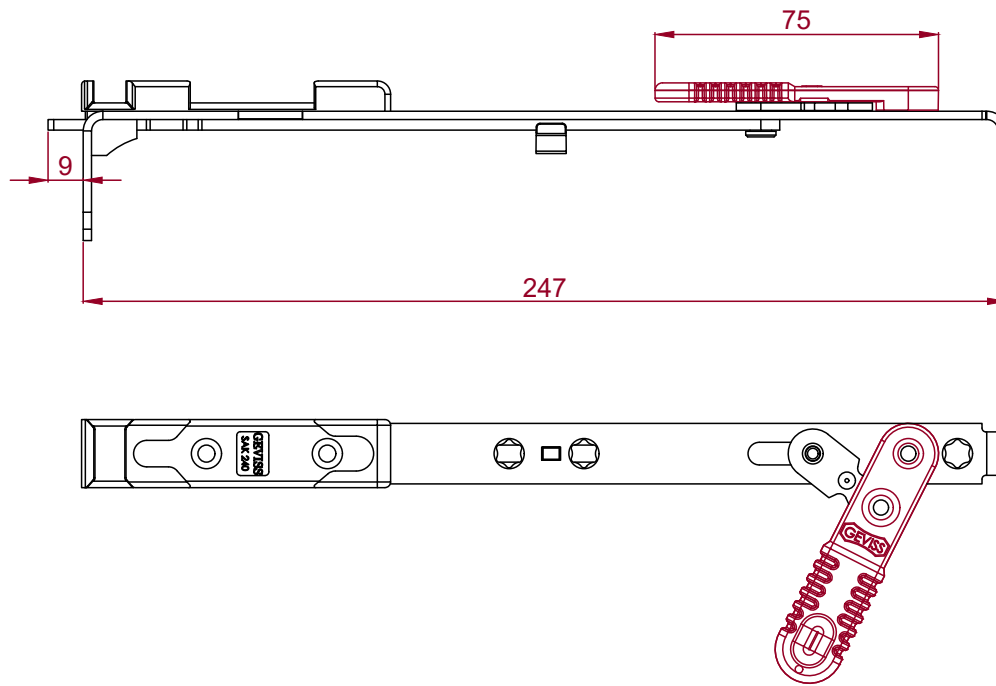
350-1350

450-2200

1

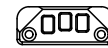
4

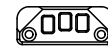


50

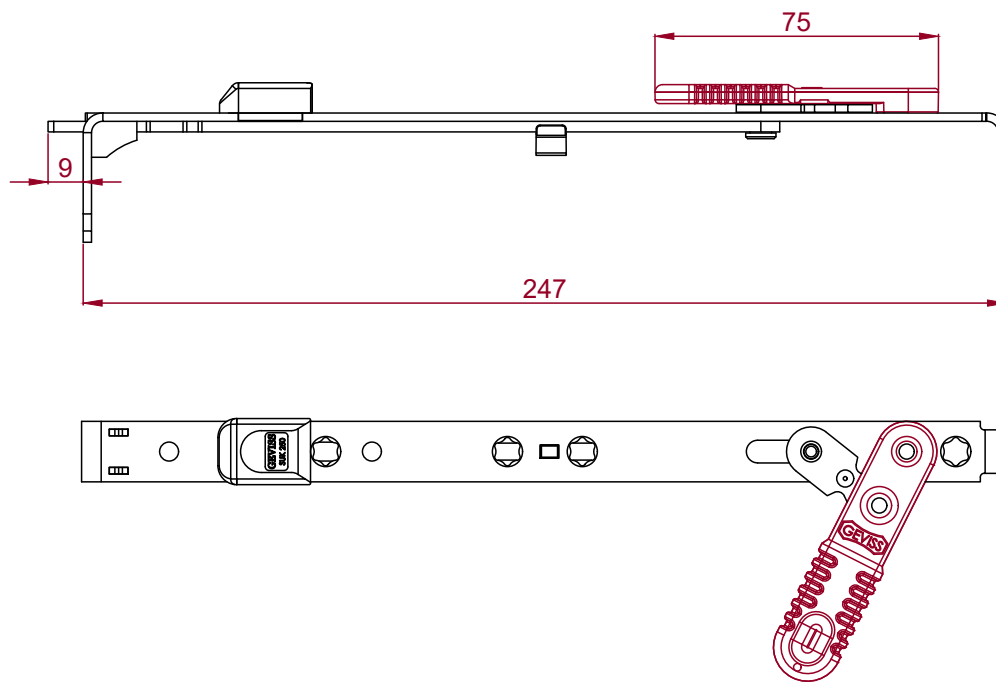


PRODUCT CODE

EXPLANATION




PRODUCT CODE	EXPLANATION			
SRG 934/A	TILT & TURN SUITABLE BOLTS - BOTTOM SHOOT	1	4	100

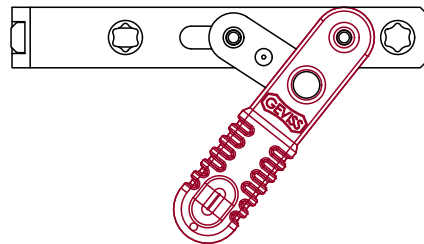
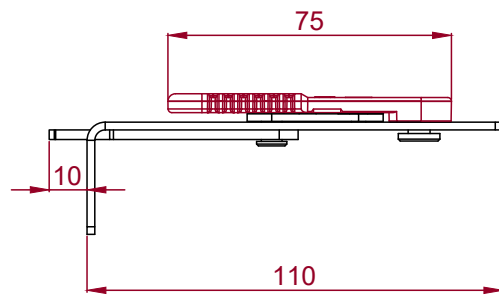


PRODUCT CODE

EXPLANATION



PRODUCT CODE	EXPLANATION			
SRG 934/U	TILT & TURN SUITABLE BOLTS - TOP SHOOT	1	4	100



PRODUCT CODE

EXPLANATION



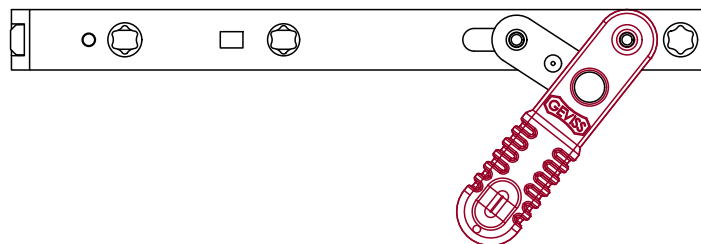
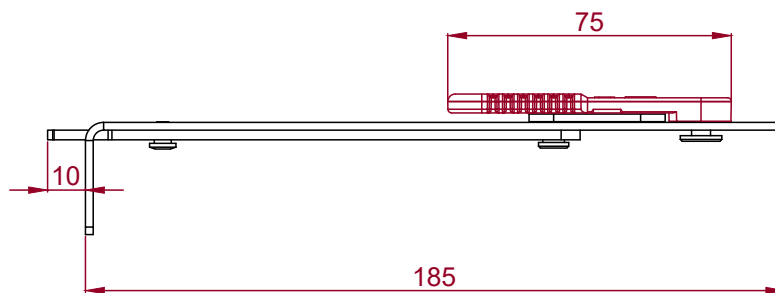
SRG-PK1

DOUBLE SASH BOLT - SHORT

1

3

100



PRODUCT CODE

EXPLANATION



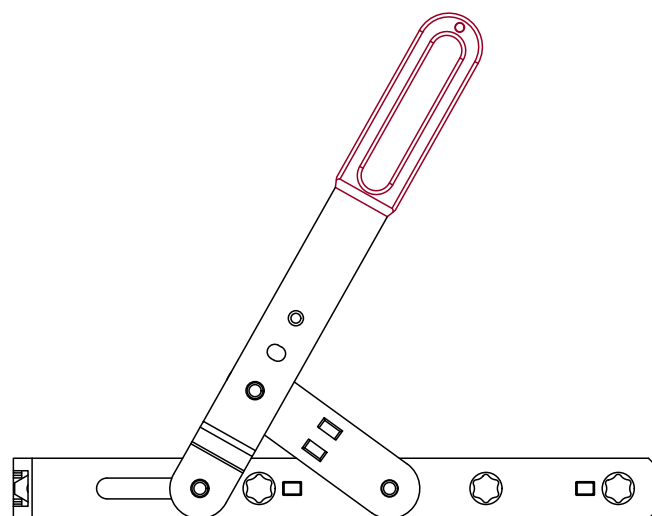
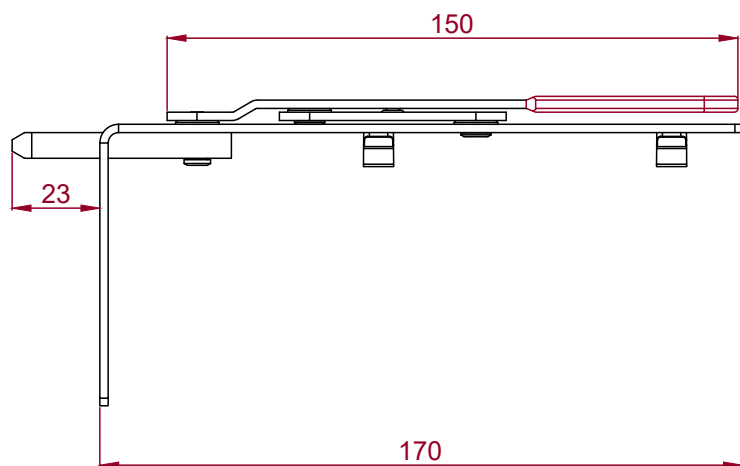
SRG-PU2

DOUBLE SASH BOLT - LONG

1

4

100



PRODUCT CODE

EXPLANATION



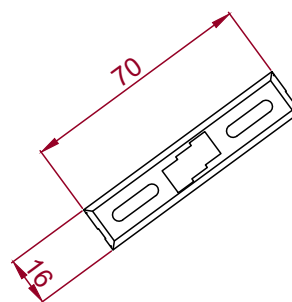
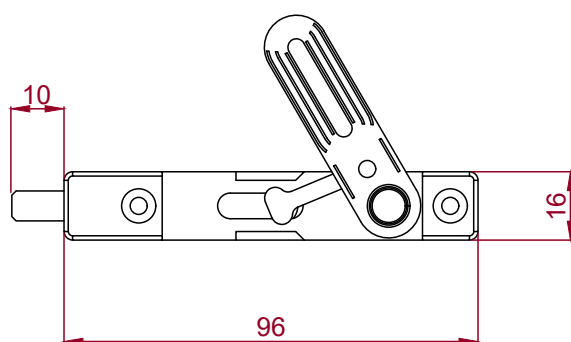
SRG-KP3

DOUBLE SASH DOOR BOLT

1

5

100



PRODUCT CODE

EXPLANATION



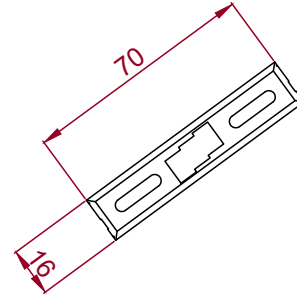
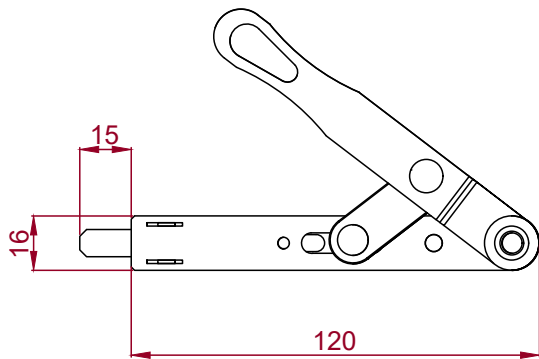
G.SRG.BNZ

DOUBLE SASH SLIDING SHOOTS - ZINC

1

2

100

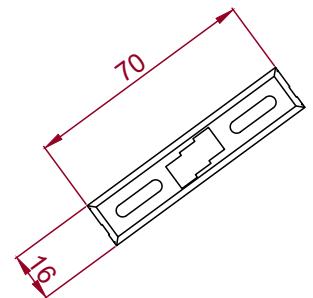
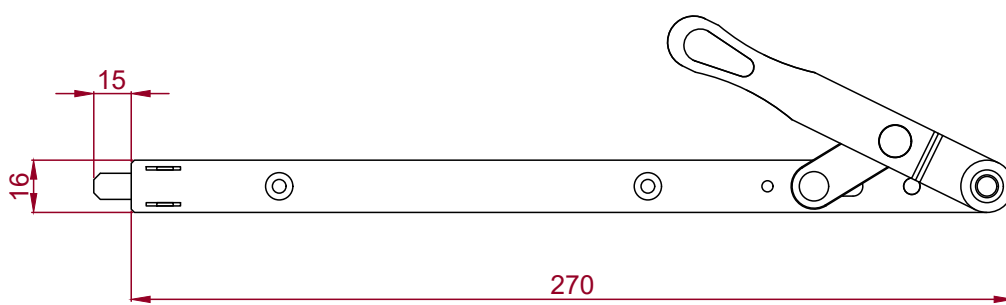


PRODUCT CODE

EXPLANATION



PRODUCT CODE	EXPLANATION			
G.SRG.BNS	DOUBLE SASH SLIDING SHOOTS - 120 mm	1	2	100

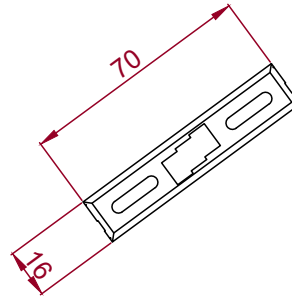
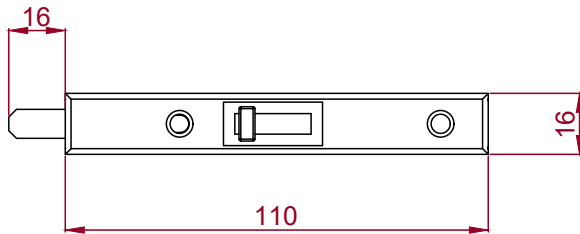


PRODUCT CODE

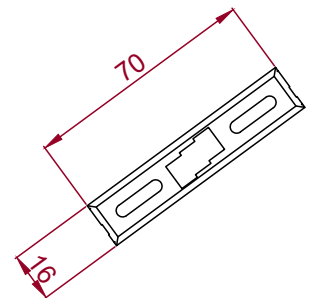
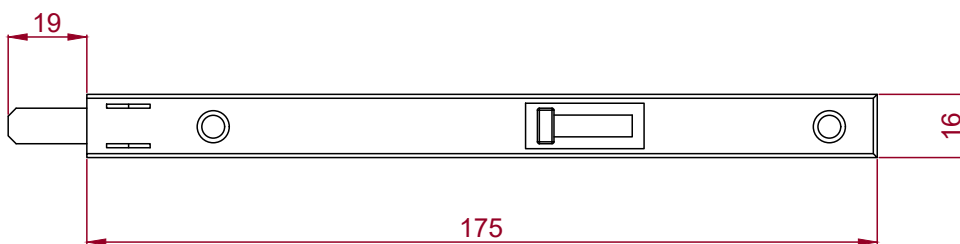
EXPLANATION



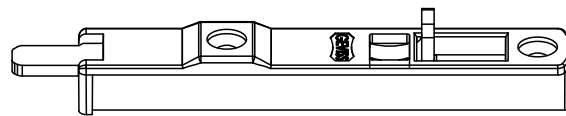
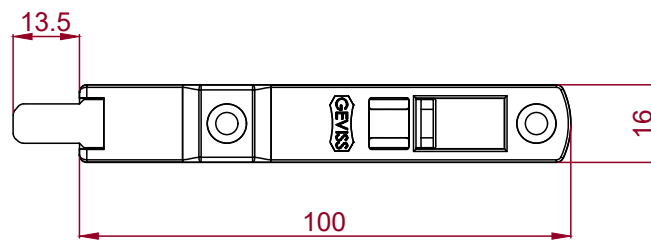
PRODUCT CODE	EXPLANATION			
G.SRG.BNU	DOUBLE SASH SLIDING SHOOTS - 270 mm	1	2	100



PRODUCT CODE	EXPLANATION			
G.SRG.K	SHOOT BOLTS FOR SASH	1	2	150



PRODUCT CODE	EXPLANATION			
G.SRG.F	SHOOT BOLTS FOR DOOR	1	2	150



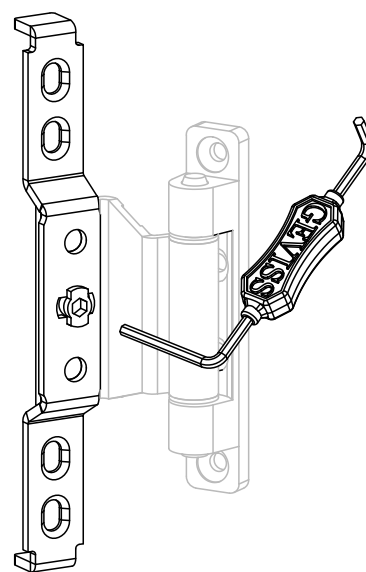
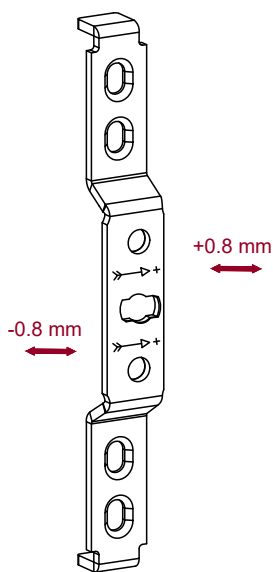
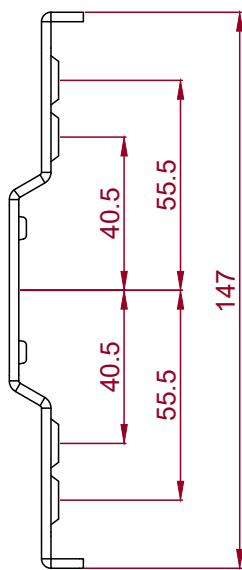
PRODUCT CODE

EXPLANATION

COLOR



PRODUCT CODE	EXPLANATION	COLOR	
SRG PS4-01	SHOOT BOLTS FOR SASH / PLASTIC BODY	WHITE	200
SRG PS4-02		GOLDEN OAK	200
SRG PS4-03		DARK BROWN	200
SRG PS4-04		BLACK	200
SRG PS4-05		GREY	200
SRG PS4-06		PRIVATE COLOR	200



PRODUCT CODE

EXPLANATION

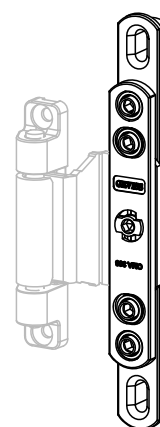
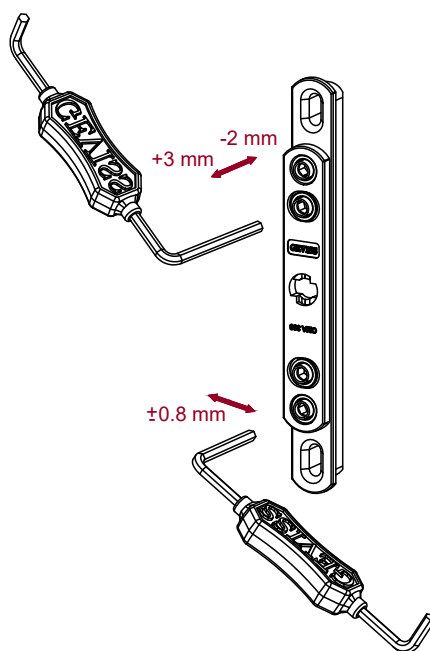
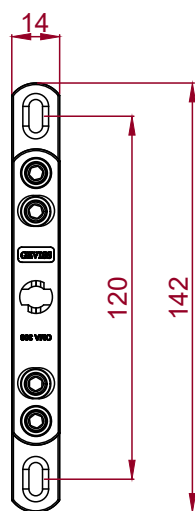


ORM 208

MIDDLE HINGE

4

100



PRODUCT CODE

EXPLANATION

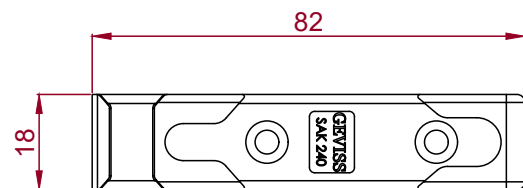
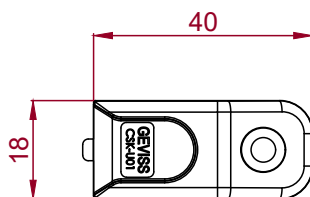
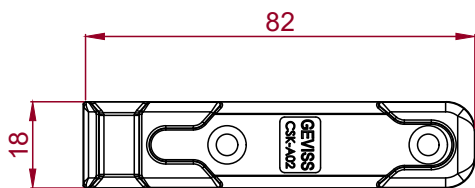
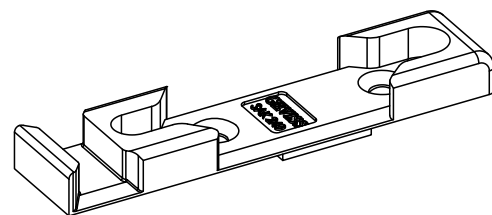
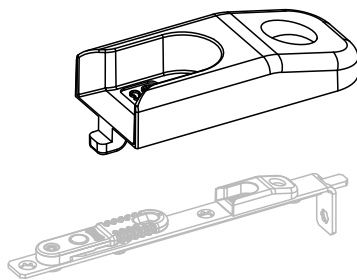
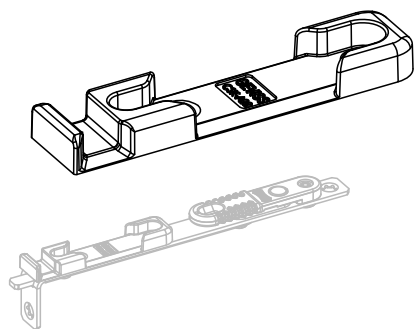


OMA 308

ADJUSTABLE MIDDLE HINGE

5

50

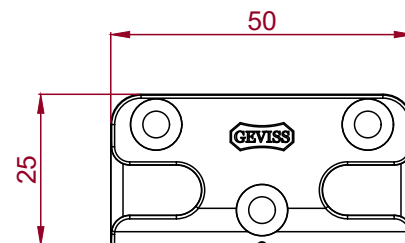
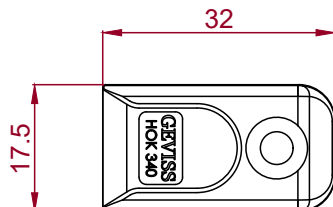
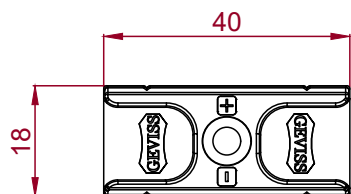
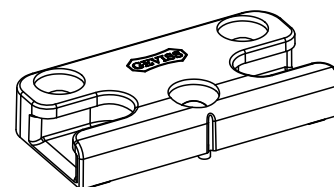
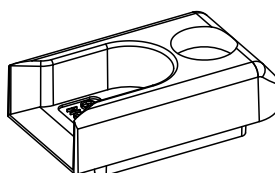
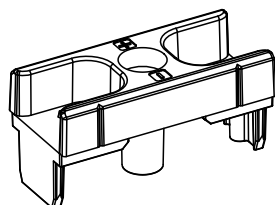


PRODUCT CODE

EXPLANATION



PRODUCT CODE	EXPLANATION	Screw	Box
CSK-A02	DOUBLE SASH T&T LOCKING PLATE	2	100
CSK-U01	DOUBLE SASH ESPANGNOLETTE PIN STRIKER	1	100
SAK 240	DOUBLE SASH T&T LOCKING PLATE	2	100

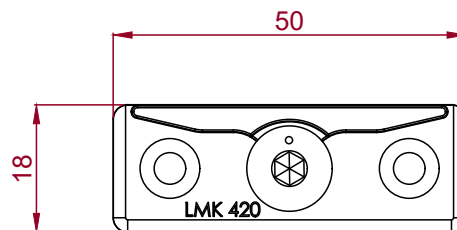
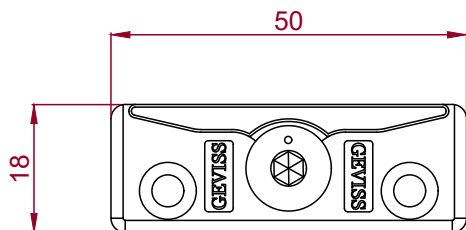
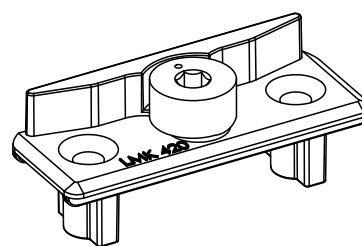
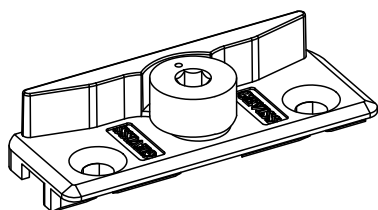


PRODUCT CODE

EXPLANATION





PRODUCT CODE	EXPLANATION	Screw	Box
CKK 01	DOUBLE SASH STRIKER - ZINC	1	500
HOK 340	DOUBLE SASH ESPANGNOLETTE PIN STRIKER	1	100
HOK 340-G			

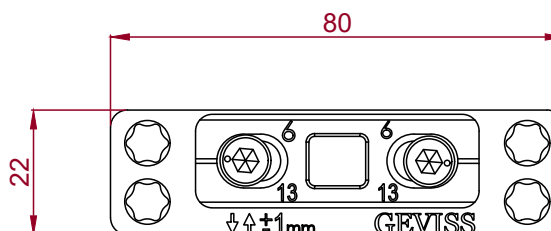
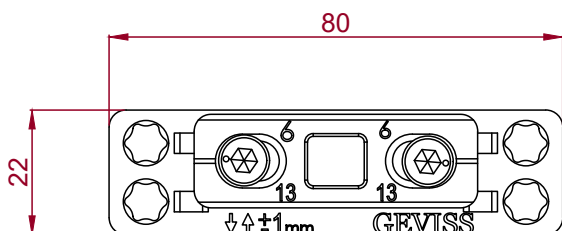
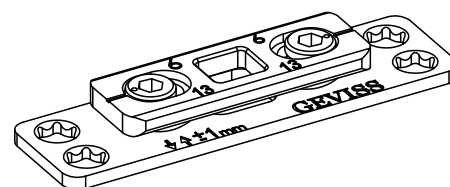
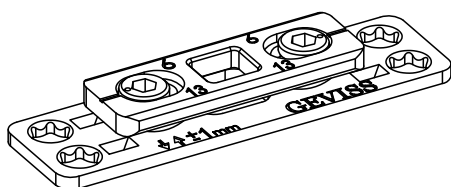


PRODUCT CODE

EXPLANATION





PRODUCT CODE	EXPLANATION		
LMK 410	DOUBLE SASH HANDLE MICROLIFT STRIKER	2	100
LMK 420	DOUBLE SASH BOLT MICROLIFT STRIKER	2	100



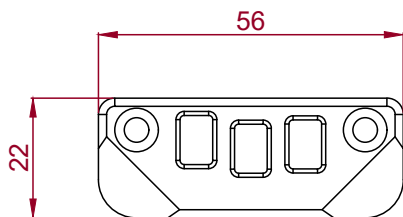
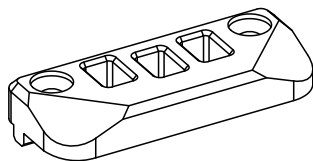
PRODUCT CODE

EXPLANATION

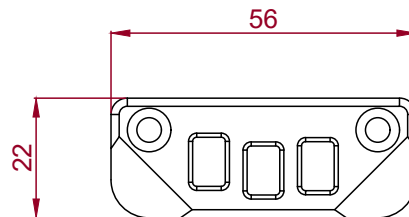
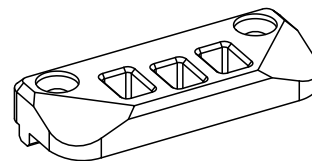




PRODUCT CODE	EXPLANATION		
CSK-S03	ADJUSTABLE LOCKING BOLT STRIKER	4	100
CSK-S04	ADJUSTABLE LOCKING BOLT STRIKER - WITHOUT NAIL	4	100

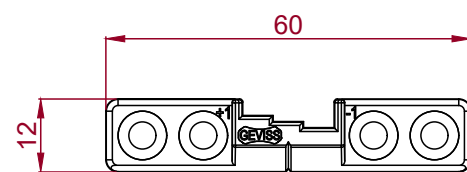
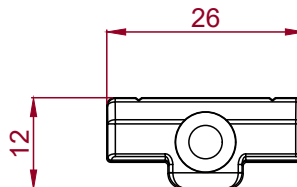
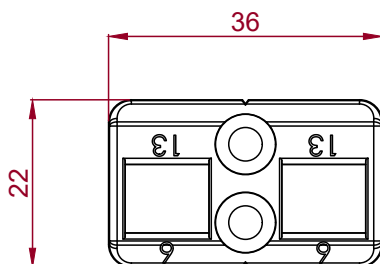
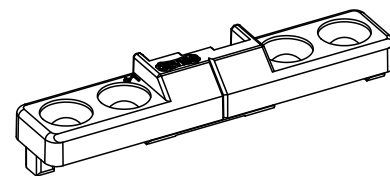
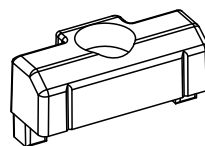
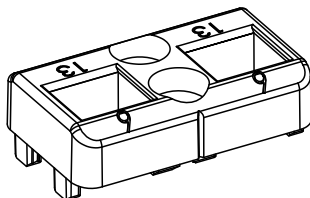
9 AXIS





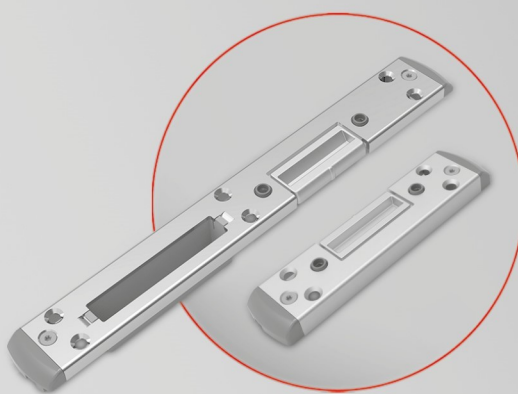
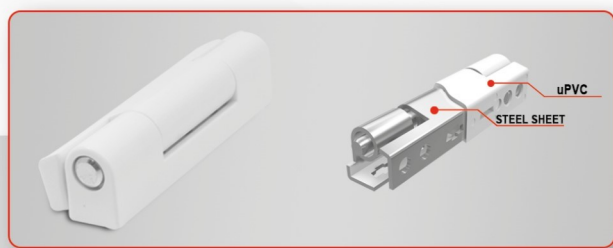
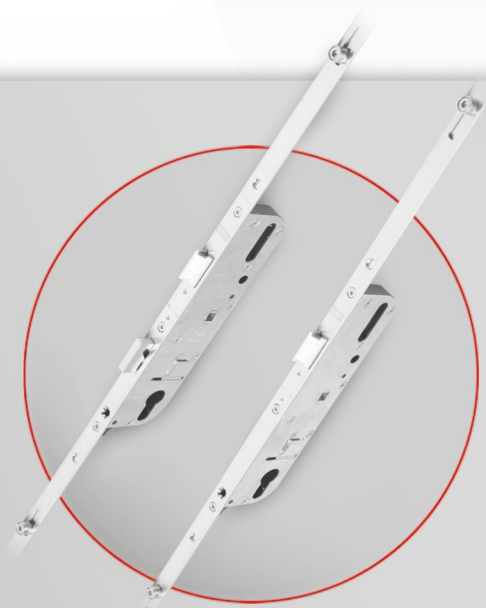
13 AXIS

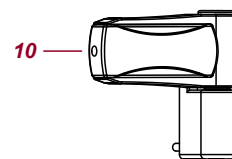
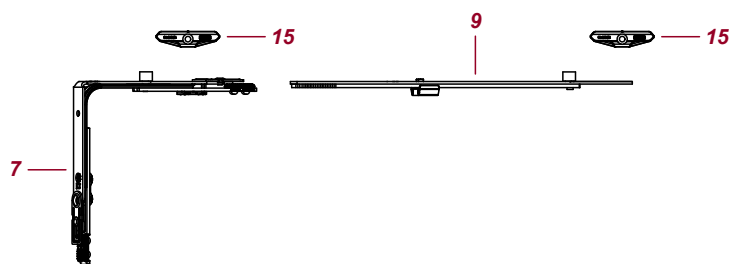


PRODUCT CODE	EXPLANATION		
SPK 260-9	DOUBLE SASH SHOOT LOCKING PLATE - 9 AXIS	2	100
SPK 270-13	DOUBLE SASH SHOOT LOCKING PLATE - 13 AXIS	2	100



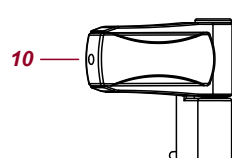
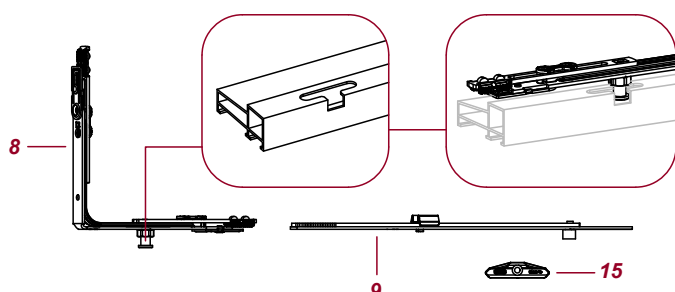
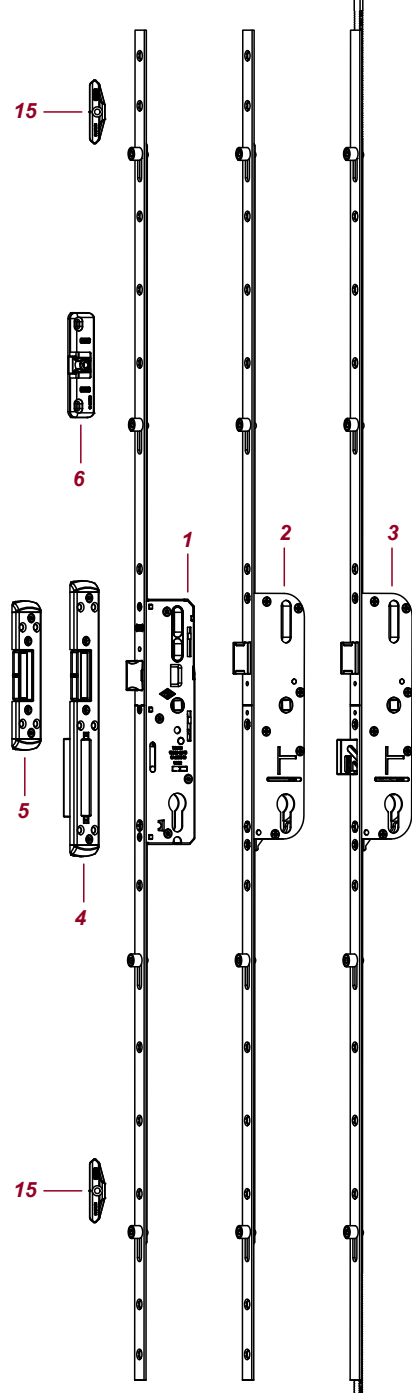
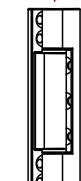
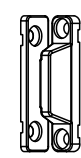
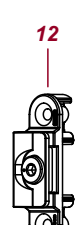
PRODUCT CODE	EXPLANATION		
CSK-Z05	DOUBLE SASH SHOOT LOCKING PLATE - ZINC	2	200
CSK-P05	DOUBLE SASH SHOOT LOCKING PLATE - PLASTIC	2	200
CSK-Z06	SHOOT BOLTS FOR SASH (PLASTIC BODY) STRIKER - ZINC	2	200
CSK-P06	SHOOT BOLTS FOR SASH (PLASTIC BODY) STRIKER - PLASTIC	4	200
CSK-Z07	DOUBLE SASH BOLT STRIKER - ECO	1	100

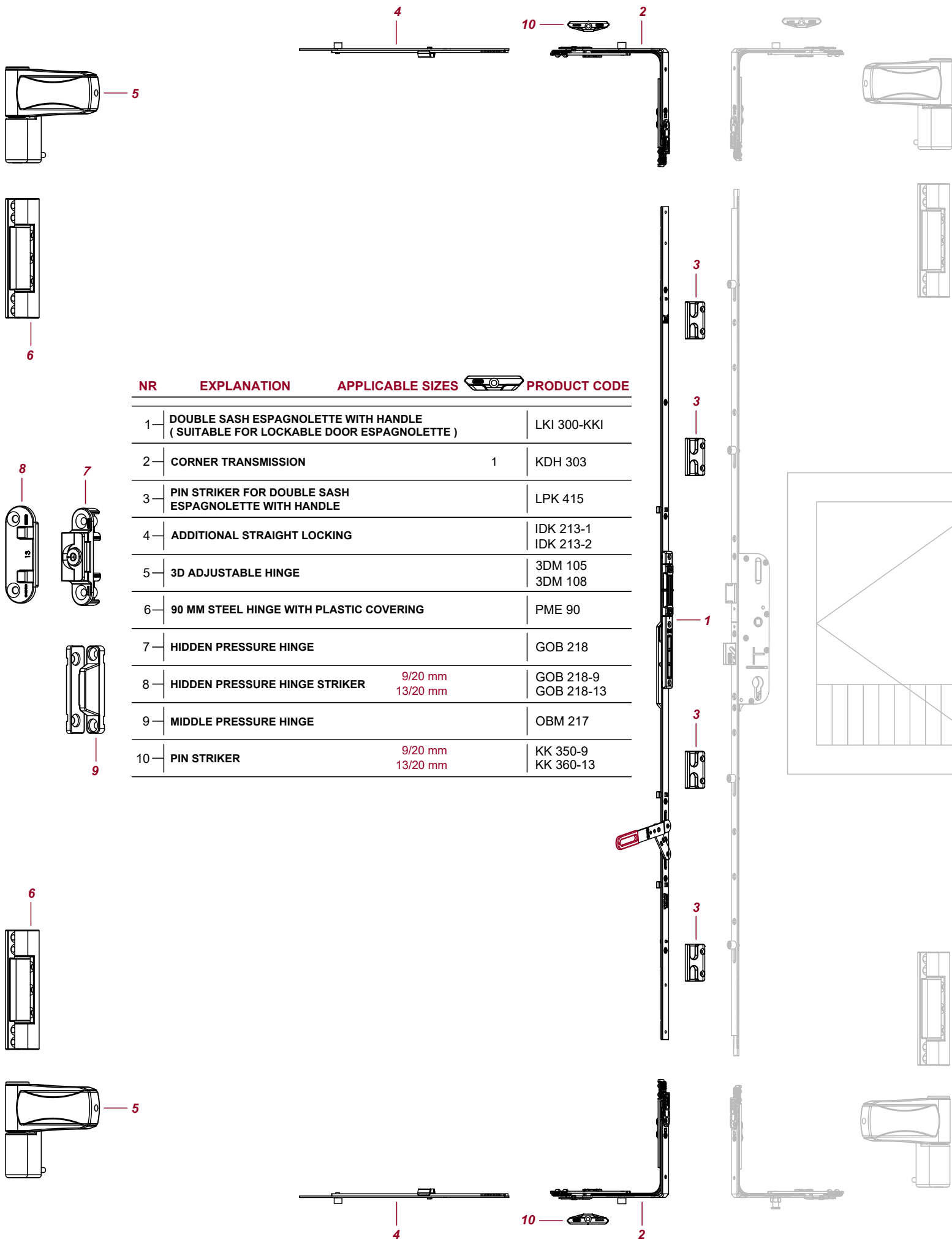





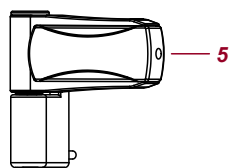
NR EXPLANATION APPLICABLE SIZES PRODUCT CODE

NR	EXPLANATION	APPLICABLE SIZES	PRODUCT CODE
1	LOCKABLE DOOR ESPAGNOLETTE (DOUBLE SIDE METAL)	25X85 1600 - 1800	KKI M.2585-1600
		25X85 1800 - 2000	KKI M.2585-1800
		25X85 2000 - 2200	KKI M.2585-2000
		35X85 1600 - 1800	KKI M.3585-1600
		35X85 1800 - 2000	KKI M.3585-1800
2	LOCKABLE DOOR ESPAGNOLETTE	25X85 1600 - 1800	KKI 250-1
		25X85 1800 - 2000	KKI 250-2
		25X85 2000 - 2200	KKI 250-3
		28X85 1600 - 1800	KKI 28/85-1
		28X85 1800 - 2000	KKI 28/85-2
		28X85 2000 - 2200	KKI 28/85-3
3	CUTABLE DOOR ESPAGNOLETTE	35X85 1600 - 1800	KKI 350-1
		35X85 1800 - 2000	KKI 350-2
		35X85 2000 - 2200	KKI 350-3
		25X85 1750 - 1850	KKI DL 270-1
		25X85 1950 - 2050	KKI DL 270-2
		25X85 2150 - 2250	KKI DL 270-3
		28X85 1750 - 1850	KKI KSD 28/85-1
28X85 1950 - 2050	KKI KSD 28/85-2		
4	ADJUSTABLE LOCKING PLATE - LONG	28X85 2150 - 2250	KKI KSD 28/85-3
		35X85 1750 - 1850	KKI DL 370-1
		35X85 1950 - 2050	KKI DL 370-2
5	ADJUSTABLE LOCKING PLATE - SHORT	35X85 2150 - 2250	KKI DL 370-3
			KK.240.LX-L9 KK.240.LX-R9 KK.240.LX-L13 KK.240.LX-R13
6	BALCONY CLIPS		BLK 211/9 BLK 211/13
7	CORNER TRANSMISSION	1	KDH 303
8	CORNER TRANSMISSION PART TILTS FROM FRAME PROFILE	1	KDE 313
9	ADDITIONAL STRAIGHT LOCKING		IDK 213-1 IDK 213-2
10	3D ADJUSTABLE HINGE		3DM 105 3DM 108
11	90 MM STEEL HINGE WITH PLASTIC COVERING		PME 90
12	HIDDEN PRESSURE HINGE		GOB 218
13	HIDDEN PRESSURE HINGE STRIKER	9/20 mm	GOB 218-9
		13/20 mm	GOB 218-13
14	MIDDLE PRESSURE HINGE		OBM 217
15	PIN STRIKER	9/20 mm	KK 350-9
		13/20 mm	KK 360-13

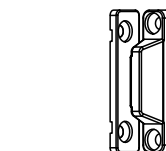




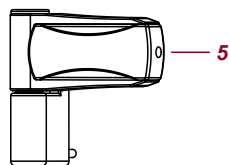
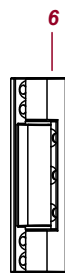
NR	EXPLANATION	APPLICABLE SIZES		PRODUCT CODE
1	DOUBLE SASH ESPAGNOLETTE WITH HANDLE (SUITABLE FOR LOCKABLE DOOR ESPAGNOLETTE)			LKI 300-KKI
2	CORNER TRANSMISSION	1		KDH 303
3	PIN STRIKER FOR DOUBLE SASH ESPAGNOLETTE WITH HANDLE			LPK 415
4	ADDITIONAL STRAIGHT LOCKING			IDK 213-1 IDK 213-2
5	3D ADJUSTABLE HINGE			3DM 105 3DM 108
6	90 MM STEEL HINGE WITH PLASTIC COVERING			PME 90
7	HIDDEN PRESSURE HINGE			GOB 218
8	HIDDEN PRESSURE HINGE STRIKER	9/20 mm 13/20 mm		GOB 218-9 GOB 218-13
9	MIDDLE PRESSURE HINGE			OBM 217
10	PIN STRIKER	9/20 mm 13/20 mm		KK 350-9 KK 360-13



6



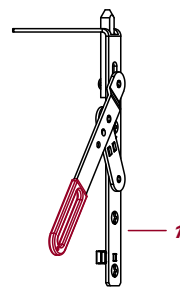
9



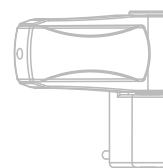
5



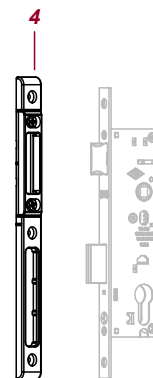
2



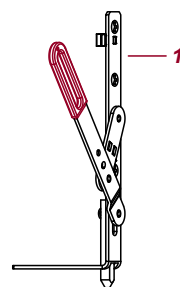
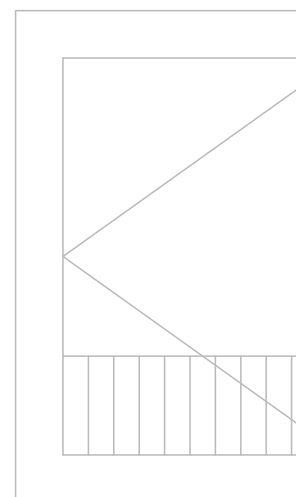
1



NR	EXPLANATION	APPLICABLE SIZES	PRODUCT CODE
1	DOUBLE SASH DOOR BOLT		SRG-KP3
2	ADJUSTABLE STRIKER FOR DOOR BOLT METAL		CSK-S03B
3	ADJUSTABLE STRIKER FOR DOOR BOLT METAL - WITHOUT NAIL		CSK-S04B
4	DOUBLE SASH LOCKABLE ESPAGNOLETTE STRIKER		CKK 02
5	3D ADJUSTABLE HINGE		3DM 105 3DM 108
6	90 MM STEEL HINGE WITH PLASTIC COVERING		PME 90
7	HIDDEN PRESSURE HINGE		GOB 218
8	HIDDEN PRESSURE HINGE STRIKER	9/20 mm 13/20 mm	GOB 218-9 GOB 218-13
9	MIDDLE PRESSURE HINGE		OBM 217



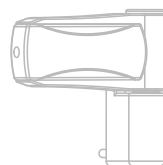
4

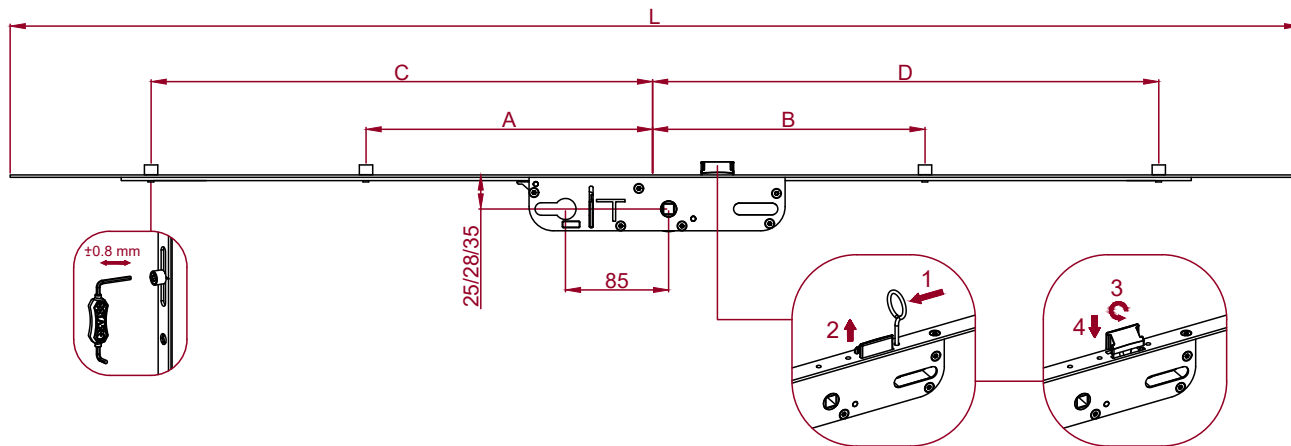


1



3





PRODUCT CODE

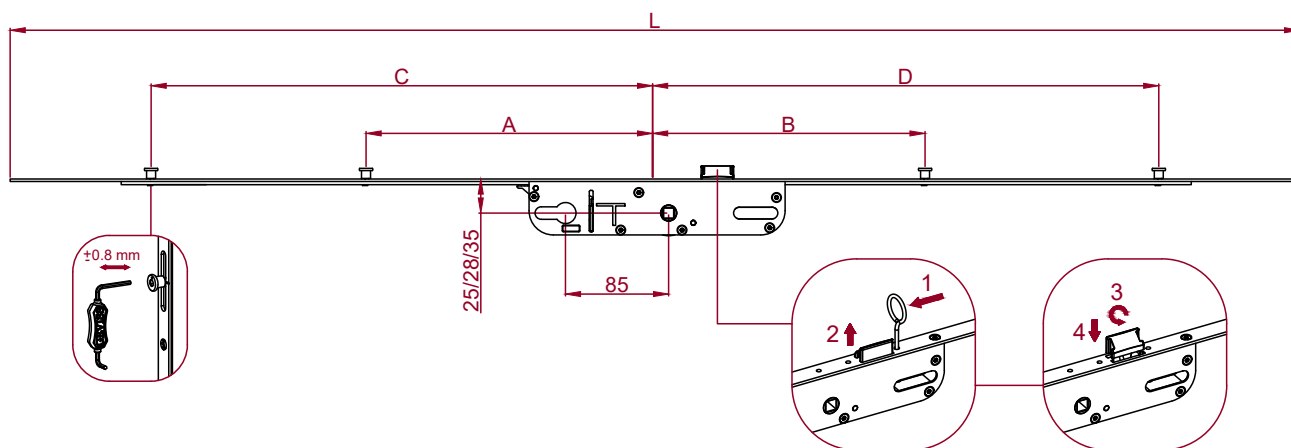
EXPLANATION



L (mm) **A** (mm) **B** (mm) **C** (mm) **D** (mm)



KKI 250-1	LOCKABLE DOOR ESPAGNOLETTE 25X85	1600-1800	1600	221	239	675	693	4	12	20
KKI 250-2		1800-2000	1800	271	289	775	793	4	12	20
KKI 250-3		2000-2200	2000	321	339	875	893	4	12	20
KKI 28/85-1	LOCKABLE DOOR ESPAGNOLETTE 28X85	1600-1800	1600	221	239	675	693	4	12	20
KKI 28/85-2		1800-2000	1800	271	289	775	793	4	12	20
KKI 28/85-3		2000-2200	2000	321	339	875	893	4	12	20
KKI 350-1	LOCKABLE DOOR ESPAGNOLETTE 35X85	1600-1800	1600	221	239	675	693	4	12	20
KKI 350-2		1800-2000	1800	271	289	775	793	4	12	20
KKI 350-3		2000-2200	2000	321	339	875	893	4	12	20

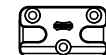


PRODUCT CODE

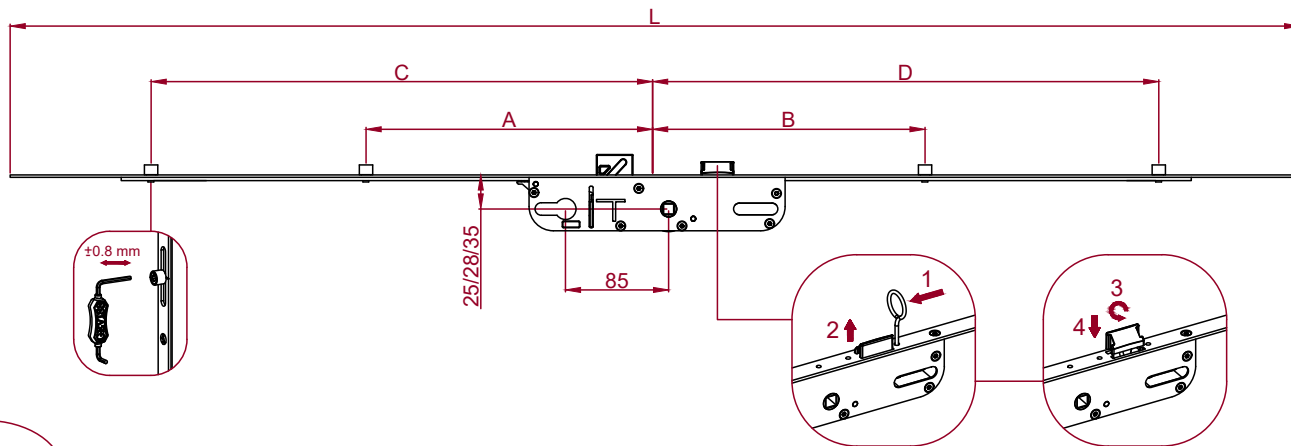
EXPLANATION



L (mm) **A** (mm) **B** (mm) **C** (mm) **D** (mm)

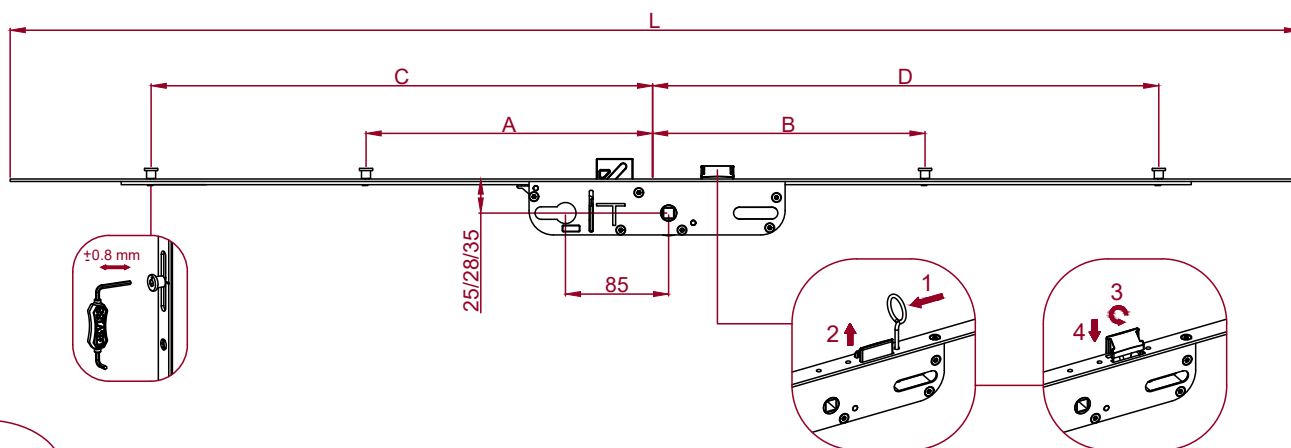


KKI 250-G1	LOCKABLE DOOR ESPAGNOLETTE SECURY 25X85	1600-1800	1600	221	239	675	693	4	12	20
KKI 250-G2		1800-2000	1800	271	289	775	793	4	12	20
KKI 250-G3		2000-2200	2000	321	339	875	893	4	12	20
KKI 28/85-G1	LOCKABLE DOOR ESPAGNOLETTE SECURY 28X85	1600-1800	1600	221	239	675	693	4	12	20
KKI 28/85-G2		1800-2000	1800	271	289	775	793	4	12	20
KKI 28/85-G3		2000-2200	2000	321	339	875	893	4	12	20
KKI 350-G1	LOCKABLE DOOR ESPAGNOLETTE SECURY 35X85	1600-1800	1600	221	239	675	693	4	12	20
KKI 350-G2		1800-2000	1800	271	289	775	793	4	12	20
KKI 350-G3		2000-2200	2000	321	339	875	893	4	12	20



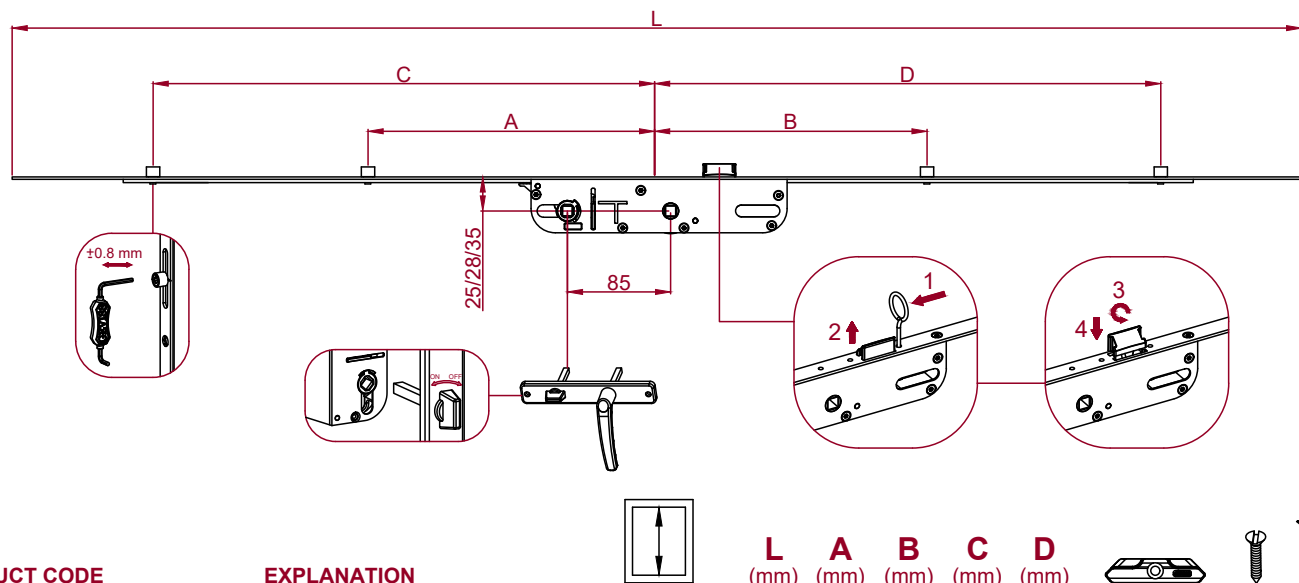
WITH BOLT

PRODUCT CODE	EXPLANATION		L (mm)	A (mm)	B (mm)	C (mm)	D (mm)			
KKI DL 250-1	LOCKABLE DOOR ESPAGNOLETTE 25X85	1600-1800	1600	221	239	675	693	4	12	20
KKI DL 250-2		1800-2000	1800	271	289	775	793	4	12	20
KKI DL 250-3		2000-2200	2000	321	339	875	893	4	12	20
KKI DL 28/85-1	LOCKABLE DOOR ESPAGNOLETTE 28X85	1600-1800	1600	221	239	675	693	4	12	20
KKI DL 28/85-2		1800-2000	1800	271	289	775	793	4	12	20
KKI DL 28/85-3		2000-2200	2000	321	339	875	893	4	12	20
KKI DL 350-1	LOCKABLE DOOR ESPAGNOLETTE 35X85	1600-1800	1600	221	239	675	693	4	12	20
KKI DL 350-2		1800-2000	1800	271	289	775	793	4	12	20
KKI DL 350-3		2000-2200	2000	321	339	875	893	4	12	20

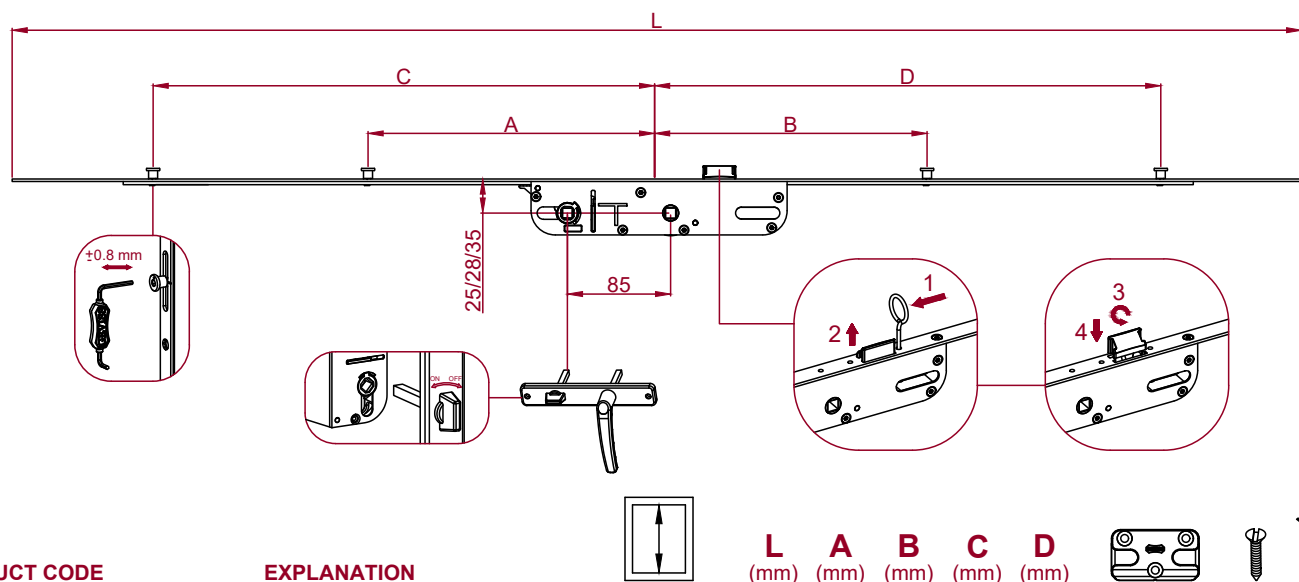


WITH BOLT

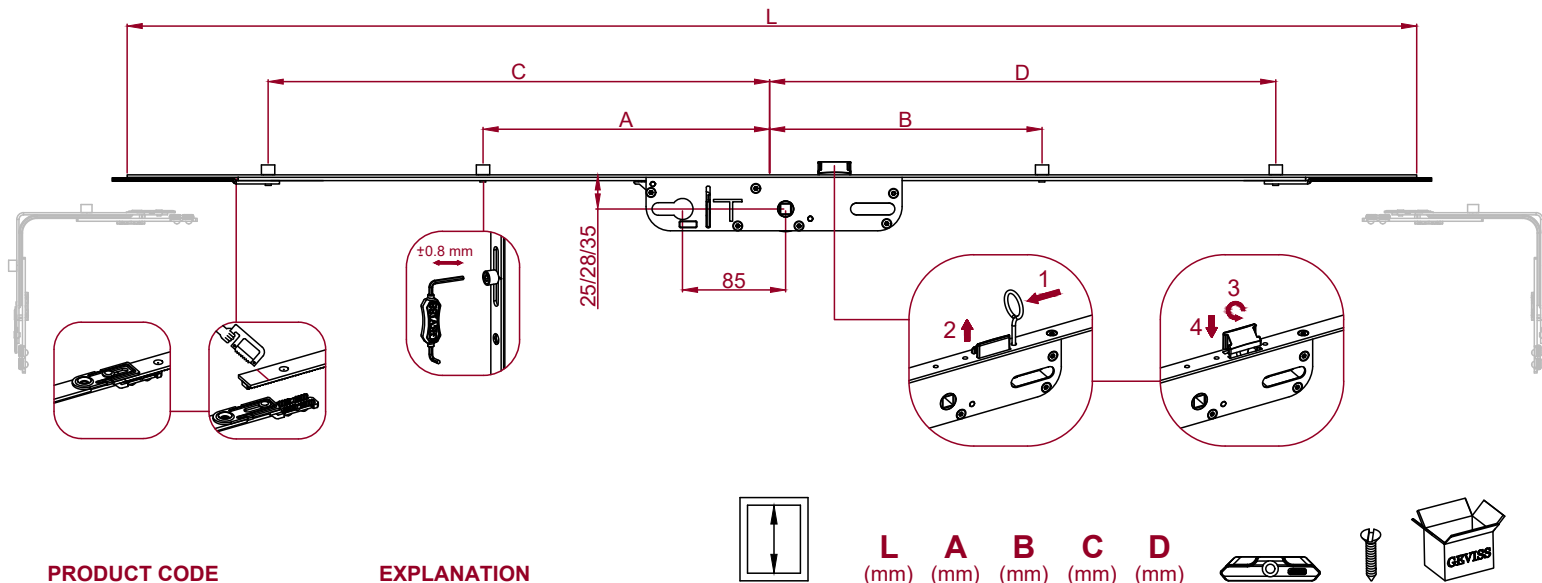
PRODUCT CODE	EXPLANATION		L (mm)	A (mm)	B (mm)	C (mm)	D (mm)			
KKI DL 250-G1	LOCKABLE DOOR ESPAGNOLETTE SECURY 25X85	1600-1800	1600	221	239	675	693	4	12	20
KKI DL 250-G2		1800-2000	1800	271	289	775	793	4	12	20
KKI DL 250-G3		2000-2200	2000	321	339	875	893	4	12	20
KKI DL 28/85-G1	LOCKABLE DOOR ESPAGNOLETTE SECURY 28X85	1600-1800	1600	221	239	675	693	4	12	20
KKI DL 28/85-G2		1800-2000	1800	271	289	775	793	4	12	20
KKI DL 28/85-G3		2000-2200	2000	321	339	875	893	4	12	20
KKI DL 350-G1	LOCKABLE DOOR ESPAGNOLETTE SECURY 35X85	1600-1800	1600	221	239	675	693	4	12	20
KKI DL 350-G2		1800-2000	1800	271	289	775	793	4	12	20
KKI DL 350-G3		2000-2200	2000	321	339	875	893	4	12	20



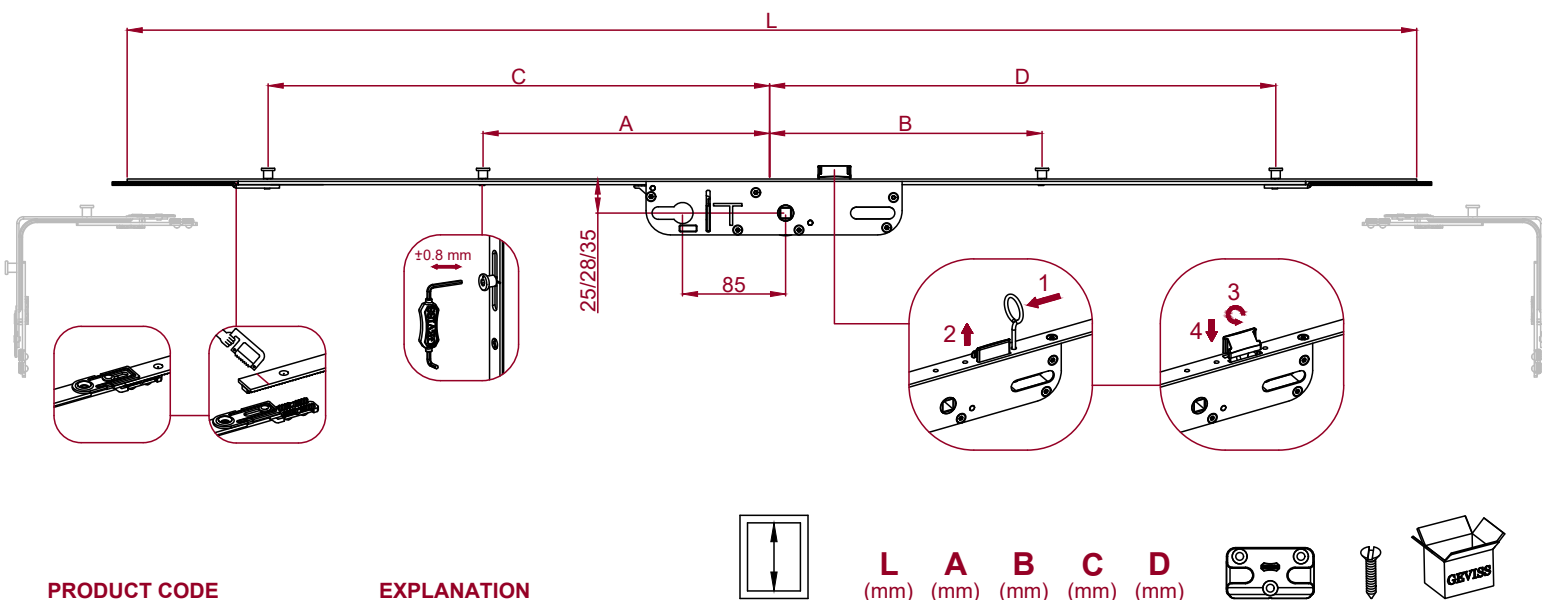
PRODUCT CODE	EXPLANATION		L (mm)	A (mm)	B (mm)	C (mm)	D (mm)			
KKI 260-1	WC LOCKABLE DOOR ESPAGNOLETTE 25X85	1600-1800	1600	221	239	675	693	4	12	20
KKI 260-2		1800-2000	1800	271	289	775	793	4	12	20
KKI 260-3		2000-2200	2000	321	339	875	893	4	12	20
KKI WC 28/85-1	WC LOCKABLE DOOR ESPAGNOLETTE 28X85	1600-1800	1600	221	239	675	693	4	12	20
KKI WC 28/85-2		1800-2000	1800	271	289	775	793	4	12	20
KKI WC 28/85-3		2000-2200	2000	321	339	875	893	4	12	20
KKI 360-1	WC LOCKABLE DOOR ESPAGNOLETTE 35X85	1600-1800	1600	221	239	675	693	4	12	20
KKI 360-2		1800-2000	1800	271	289	775	793	4	12	20
KKI 360-3		2000-2200	2000	321	339	875	893	4	12	20



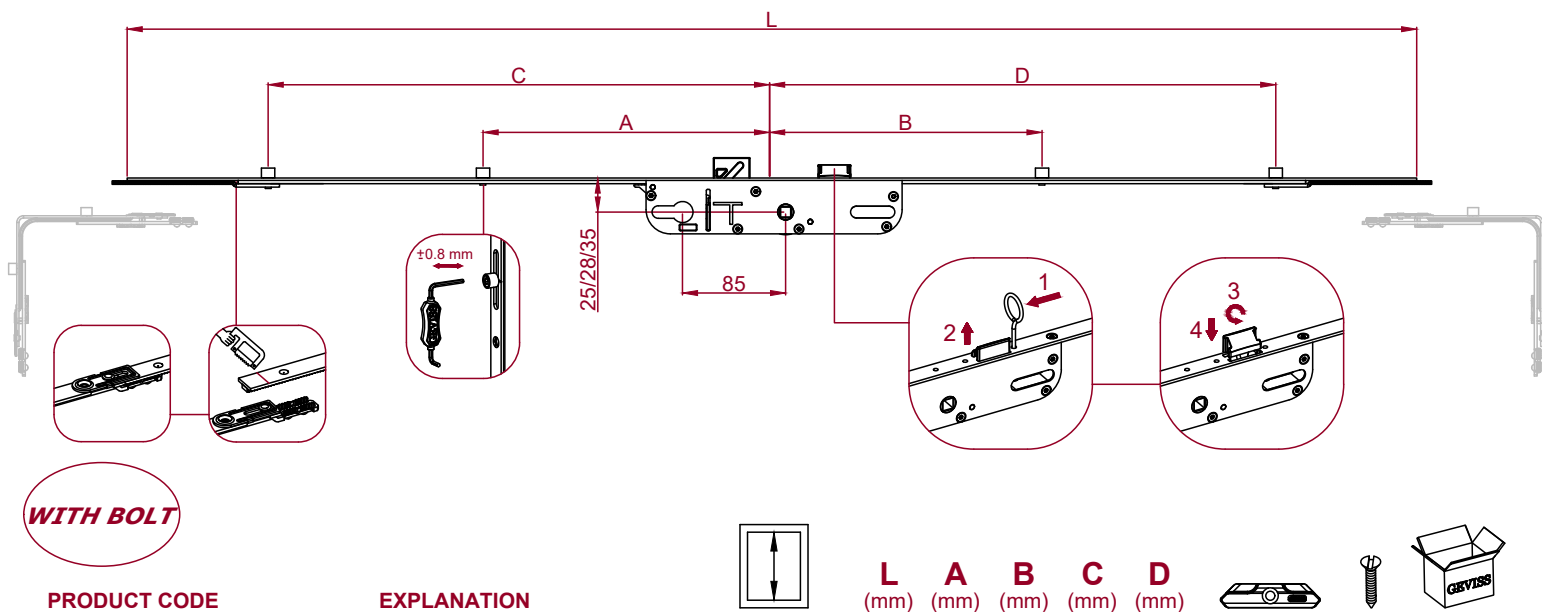
PRODUCT CODE	EXPLANATION		L (mm)	A (mm)	B (mm)	C (mm)	D (mm)			
KKI 260-G1	WC LOCKABLE DOOR ESPAGNOLETTE - SECURITY 25X85	1600-1800	1600	221	239	675	693	4	12	20
KKI 260-G2		1800-2000	1800	271	289	775	793	4	12	20
KKI 260-G3		2000-2200	2000	321	339	875	893	4	12	20
KKI WC 28/85-G1	WC LOCKABLE DOOR ESPAGNOLETTE - SECURITY 28X85	1600-1800	1600	221	239	675	693	4	12	20
KKI WC 28/85-G2		1800-2000	1800	271	289	775	793	4	12	20
KKI WC 28/85-G3		2000-2200	2000	321	339	875	893	4	12	20
KKI 360-G1	WC LOCKABLE DOOR ESPAGNOLETTE - SECURITY 35X85	1600-1800	1600	221	239	675	693	4	12	20
KKI 360-G2		1800-2000	1800	271	289	775	793	4	12	20
KKI 360-G3		2000-2200	2000	321	339	875	893	4	12	20



PRODUCT CODE	EXPLANATION		L (mm)	A (mm)	B (mm)	C (mm)	D (mm)				
KKI 270-1	CUTABLE LOCKABLE DOOR ESPAGNOLETTE	25X85	1750-1850	1600	221	239	675	693	4	8	20
KKI 270-2			1950-2050	1800	271	289	775	793	4	8	20
KKI 270-3			2150-2250	2000	321	339	875	893	4	8	20
KKI KS 28/85-1	CUTABLE LOCKABLE DOOR ESPAGNOLETTE	28X85	1750-1850	1600	221	239	675	693	4	8	20
KKI KS 28/85-2			1950-2050	1800	271	289	775	793	4	8	20
KKI KS 28/85-3			2150-2250	2000	321	339	875	893	4	8	20
KKI 370-1	CUTABLE LOCKABLE DOOR ESPAGNOLETTE	35X85	1750-1850	1600	221	239	675	693	4	8	20
KKI 370-2			1950-2050	1800	271	289	775	793	4	8	20
KKI 370-3			2150-2250	2000	321	339	875	893	4	8	20

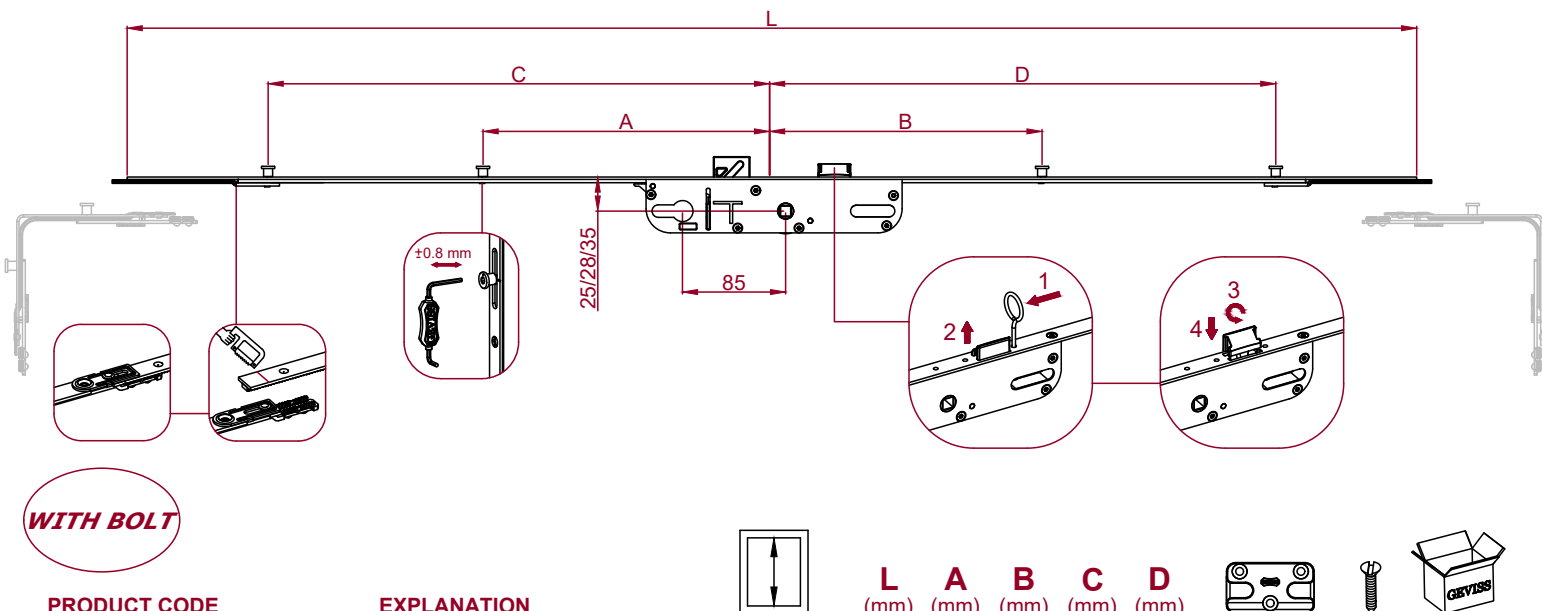


PRODUCT CODE	EXPLANATION		L (mm)	A (mm)	B (mm)	C (mm)	D (mm)				
KKI 270-G1	CUTABLE LOCKABLE DOOR ESPAGNOLETTE - SECURITY	25X85	1750-1850	1600	221	239	675	693	4	8	20
KKI 270-G2			1950-2050	1800	271	289	775	793	4	8	20
KKI 270-G3			2150-2250	2000	321	339	875	893	4	8	20
KKI KS 28/85-G1	CUTABLE LOCKABLE DOOR ESPAGNOLETTE - SECURITY	28X85	1750-1850	1600	221	239	675	693	4	8	20
KKI KS 28/85-G2			1950-2050	1800	271	289	775	793	4	8	20
KKI KS 28/85-G3			2150-2250	2000	321	339	875	893	4	8	20
KKI 370-G1	CUTABLE LOCKABLE DOOR ESPAGNOLETTE - SECURITY	35X85	1750-1850	1600	221	239	675	693	4	8	20
KKI 370-G2			1950-2050	1800	271	289	775	793	4	8	20
KKI 370-G3			2150-2250	2000	321	339	875	893	4	8	20



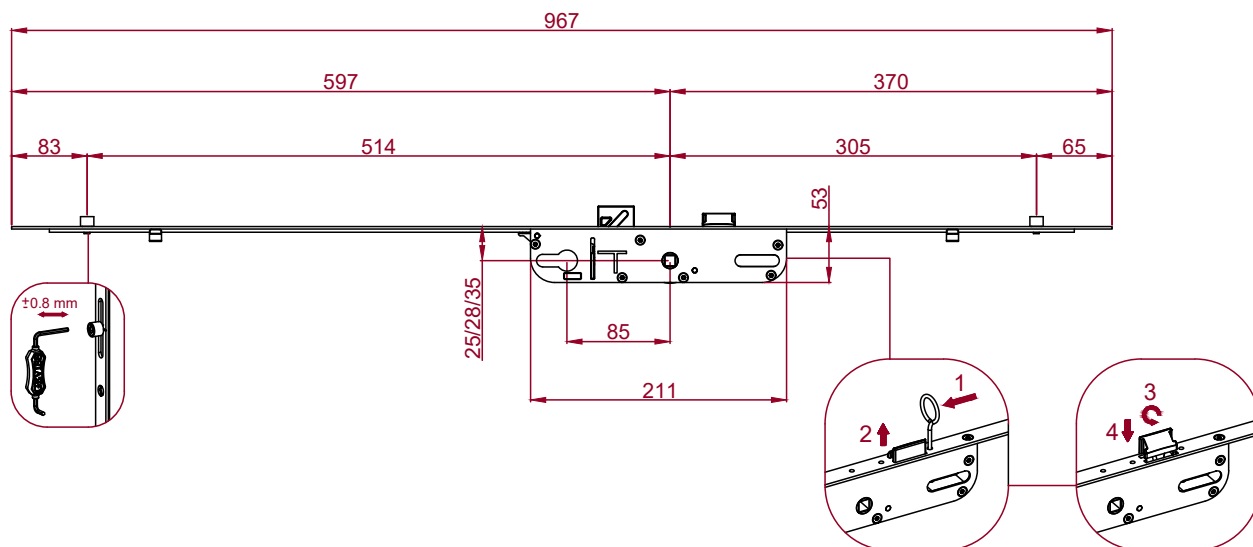
WITH BOLT

PRODUCT CODE	EXPLANATION		L (mm)	A (mm)	B (mm)	C (mm)	D (mm)				
KKI DL 270-1	CUTABLE LOCKABLE DOOR ESPAGNOLETTE	25X85	1750-1850	1600	221	239	675	693	4	8	20
KKI DL 270-2			1950-2050	1800	271	289	775	793	4	8	20
KKI DL 270-3			2150-2250	2000	321	339	875	893	4	8	20
KKI KSD 28/85-1	CUTABLE LOCKABLE DOOR ESPAGNOLETTE	28X85	1750-1850	1600	221	239	675	693	4	8	20
KKI KSD 28/85-2			1950-2050	1800	271	289	775	793	4	8	20
KKI KSD 28/85-3			2150-2250	2000	321	339	875	893	4	8	20
KKI DL 370-1	CUTABLE LOCKABLE DOOR ESPAGNOLETTE	35X85	1750-1850	1600	221	239	675	693	4	8	20
KKI DL 370-2			1950-2050	1800	271	289	775	793	4	8	20
KKI DL 370-3			2150-2250	2000	321	339	875	893	4	8	20

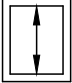





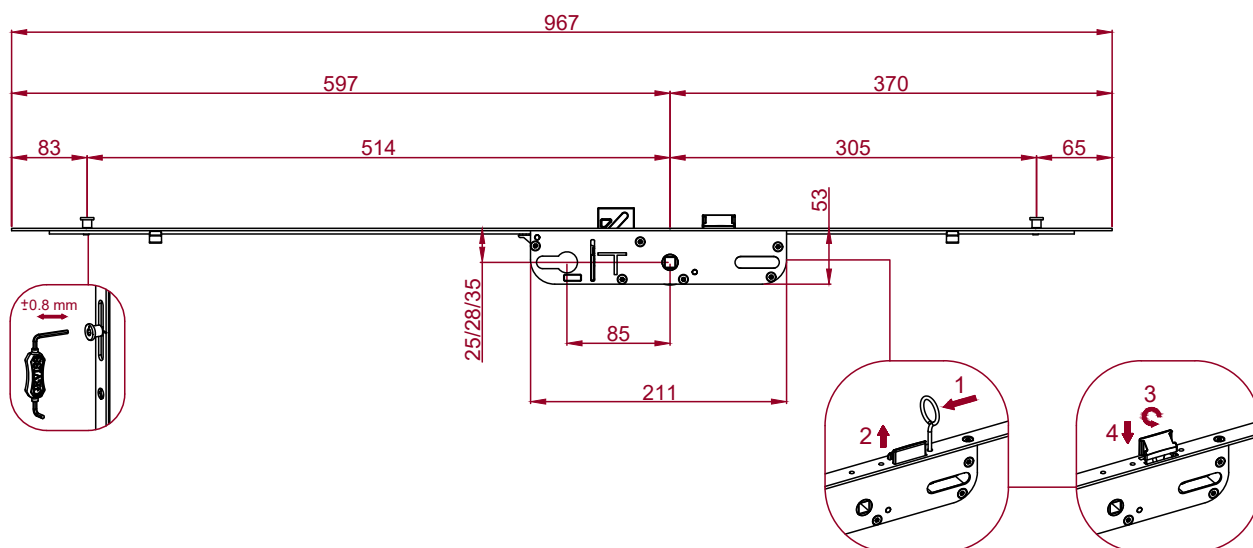
WITH BOLT

PRODUCT CODE	EXPLANATION		L (mm)	A (mm)	B (mm)	C (mm)	D (mm)				
KKI DL 270-G1	CUTABLE LOCKABLE DOOR ESPAGNOLETTE - SECURITY	25X85	1750-1850	1600	221	239	675	693	4	8	20
KKI DL 270-G2			1950-2050	1800	271	289	775	793	4	8	20
KKI DL 270-G3			2150-2250	2000	321	339	875	893	4	8	20
KKI KSD 28/85-G1	CUTABLE LOCKABLE DOOR ESPAGNOLETTE - SECURITY	28X85	1750-1850	1600	221	239	675	693	4	8	20
KKI KSD 28/85-G2			1950-2050	1800	271	289	775	793	4	8	20
KKI KSD 28/85-G3			2150-2250	2000	321	339	875	893	4	8	20
KKI DL 370-G1	CUTABLE LOCKABLE DOOR ESPAGNOLETTE - SECURITY	35X85	1750-1850	1600	221	239	675	693	4	8	20
KKI DL 370-G2			1950-2050	1800	271	289	775	793	4	8	20
KKI DL 370-G3			2150-2250	2000	321	339	875	893	4	8	20

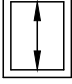





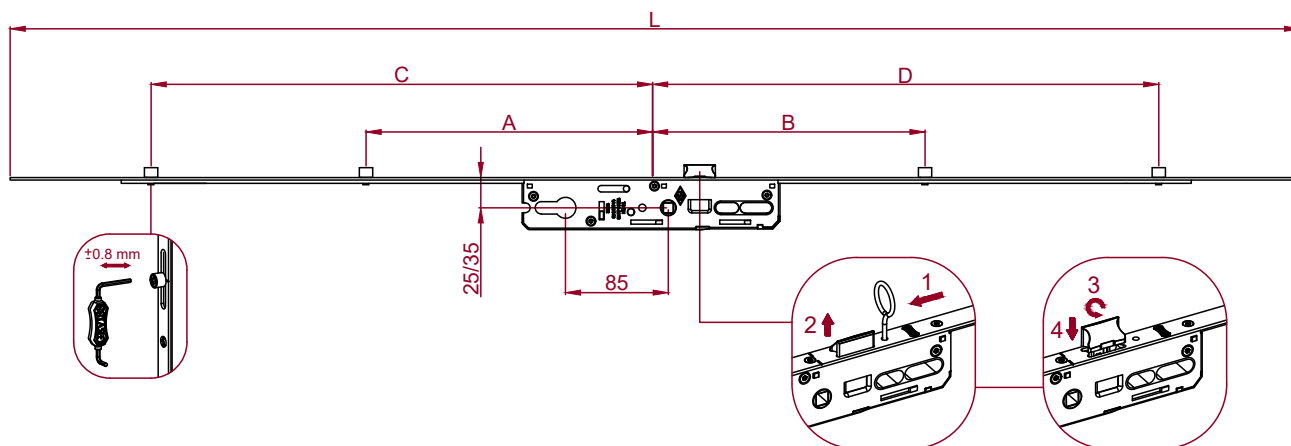
WITH BOLT

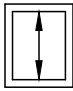



PRODUCT CODE	EXPLANATION		L (mm)			
KKI 2585-967	967-LOCKABLE DOOR ESPAGNOLETTE	970-2200	967	2	7	20
KKI 2885-967		970-2200	967	2	7	20
KKI 3585-967		970-2200	967	2	7	20

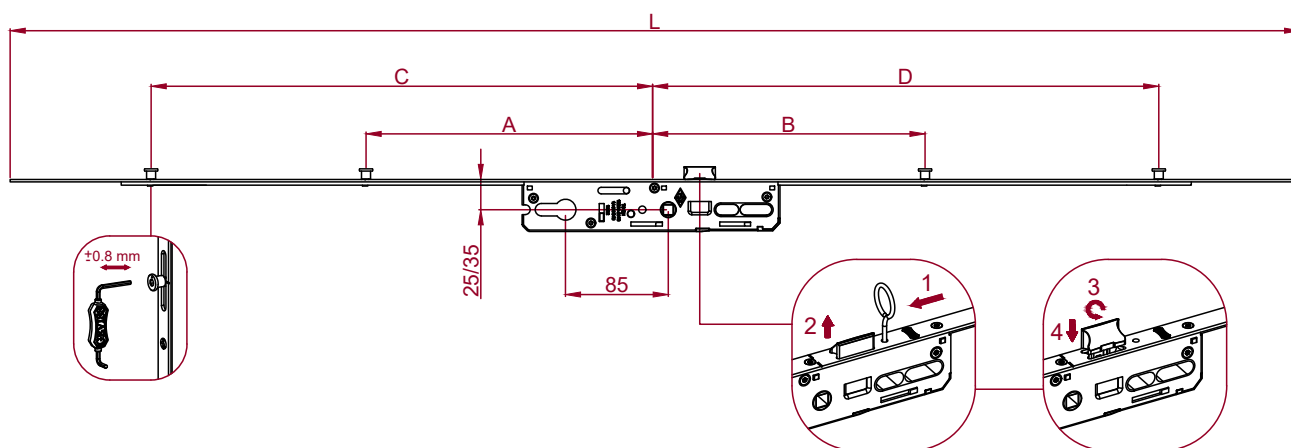


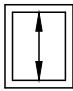

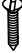

WITH BOLT

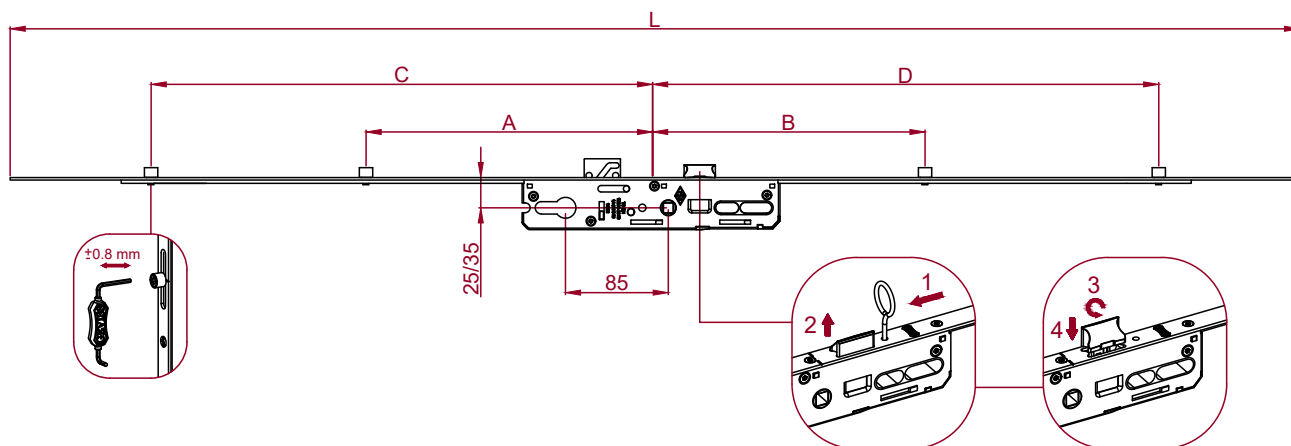
PRODUCT CODE	EXPLANATION		L (mm)			
KKI 2585-967	967-LOCKABLE DOOR ESPAGNOLETTE SECURITY	970-2200	967	2	7	20
KKI 2885-967		970-2200	967	2	7	20
KKI 3585-967		970-2200	967	2	7	20

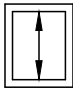





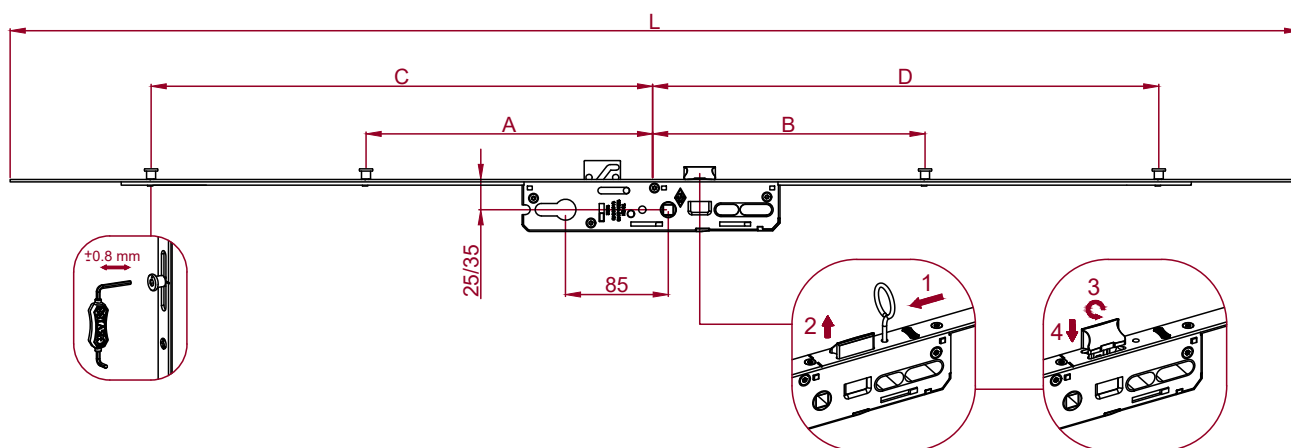
PRODUCT CODE	EXPLANATION		L	A	B	C	D			
			(mm)	(mm)	(mm)	(mm)	(mm)			
KKI M.2585-1600	LOCKABLE DOOR ESPAGNOLETTE (DOUBLE SIDE METAL)	1600-1800	1600	221	239	675	693	4	12	20
KKI M.2585-1800		1800-2000	1800	271	289	775	793	4	12	20
KKI M.2585-2000		2000-2200	2000	321	339	875	893	4	12	20
KKI M.3585-1600	LOCKABLE DOOR ESPAGNOLETTE (DOUBLE SIDE METAL)	1600-1800	1600	221	239	675	693	4	12	20
KKI M.3585-1800		1800-2000	1800	271	289	775	793	4	12	20
KKI M.3585-2000		2000-2200	2000	321	339	875	893	4	12	20

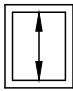

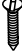



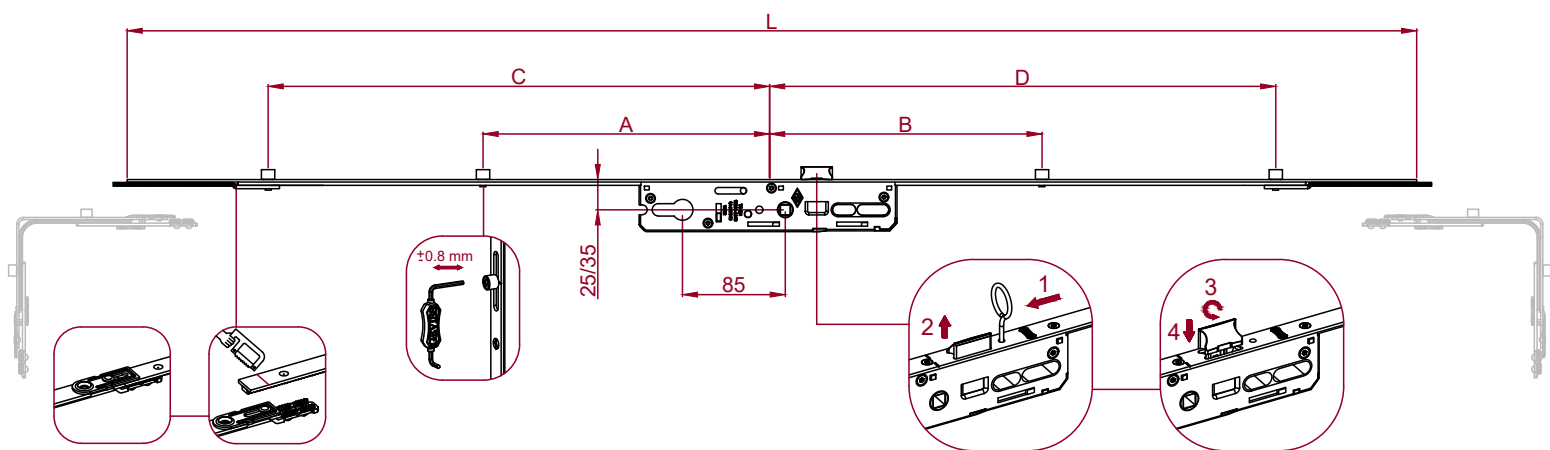
PRODUCT CODE	EXPLANATION		L	A	B	C	D			
			(mm)	(mm)	(mm)	(mm)	(mm)			
KKI M.2585-1600-G	LOCKABLE DOOR ESPAGNOLETTE (DOUBLE SIDE METAL) - SECURITY	1600-1800	1600	221	239	675	693	4	12	20
KKI M.2585-1800-G		1800-2000	1800	271	289	775	793	4	12	20
KKI M.2585-2000-G		2000-2200	2000	321	339	875	893	4	12	20
KKI M.3585-1600-G	LOCKABLE DOOR ESPAGNOLETTE (DOUBLE SIDE METAL) - SECURITY	1600-1800	1600	221	239	675	693	4	12	20
KKI M.3585-1800-G		1800-2000	1800	271	289	775	793	4	12	20
KKI M.3585-2000-G		2000-2200	2000	321	339	875	893	4	12	20



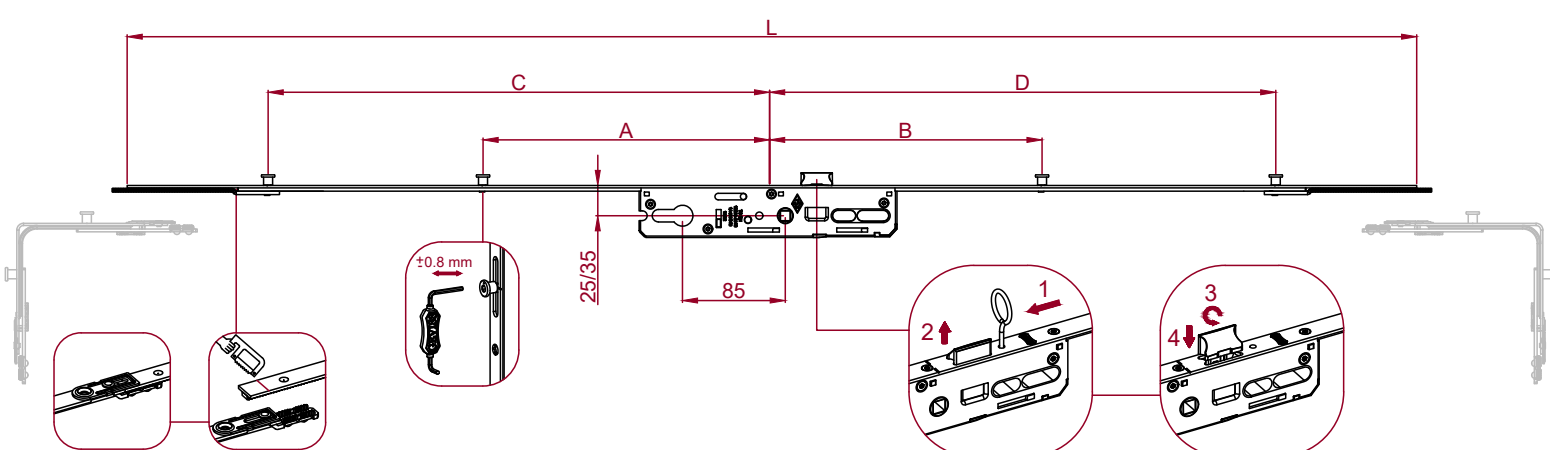
PRODUCT CODE	EXPLANATION		L	A	B	C	D			
			(mm)	(mm)	(mm)	(mm)	(mm)			
KKI M.2585.DL-1600	LOCKABLE DOOR ESPAGNOLETTE (DOUBLE SIDE METAL) WITH LATCH	1600-1800	1600	221	239	675	693	4	12	20
KKI M.2585.DL-1800		1800-2000	1800	271	289	775	793	4	12	20
KKI M.2585.DL-2000		2000-2200	2000	321	339	875	893	4	12	20
KKI M.3585.DL-1600	LOCKABLE DOOR ESPAGNOLETTE (DOUBLE SIDE METAL) WITH LATCH	1600-1800	1600	221	239	675	693	4	12	20
KKI M.3585.DL-1800		1800-2000	1800	271	289	775	793	4	12	20
KKI M.3585.DL-2000		2000-2200	2000	321	339	875	893	4	12	20



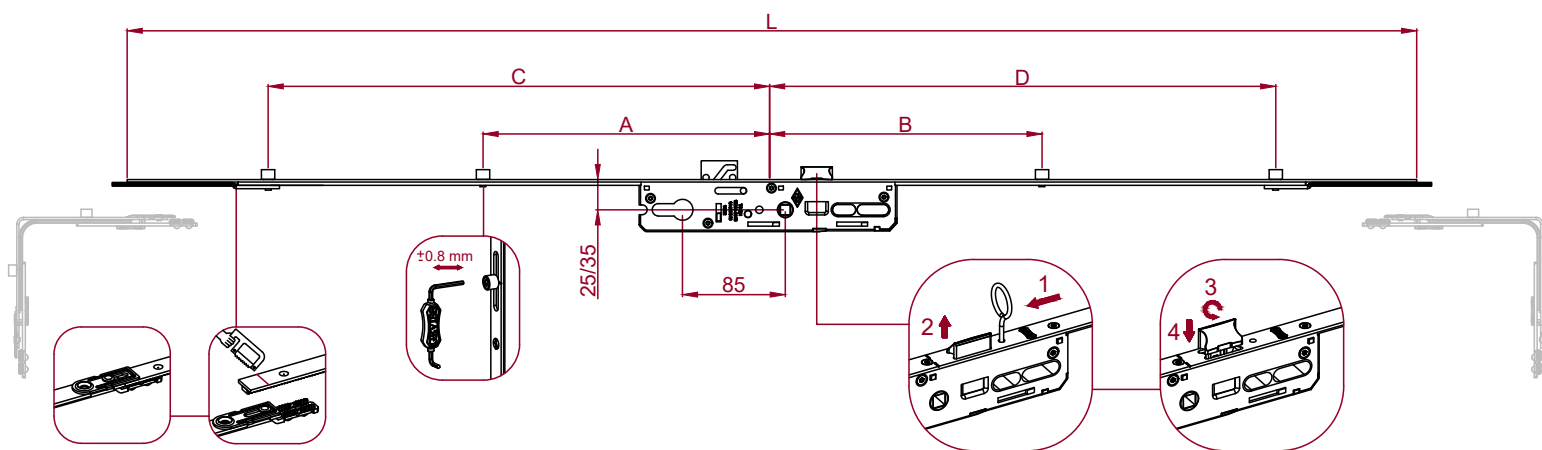
PRODUCT CODE	EXPLANATION		L	A	B	C	D			
			(mm)	(mm)	(mm)	(mm)	(mm)			
KKI M.2585.DL-1600-G	LOCKABLE DOOR ESPAGNOLETTE (DOUBLE SIDE METAL) SECURY WITH LATCH	1600-1800	1600	221	239	675	693	4	12	20
KKI M.2585.DL-1800-G		1800-2000	1800	271	289	775	793	4	12	20
KKI M.2585.DL-2000-G		2000-2200	2000	321	339	875	893	4	12	20
KKI M.3585.DL-1600-G	LOCKABLE DOOR ESPAGNOLETTE (DOUBLE SIDE METAL) SECURY WITH LATCH	1600-1800	1600	221	239	675	693	4	12	20
KKI M.3585.DL-1800-G		1800-2000	1800	271	289	775	793	4	12	20
KKI M.3585.DL-2000-G		2000-2200	2000	321	339	875	893	4	12	20

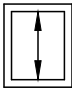



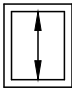
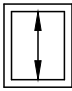


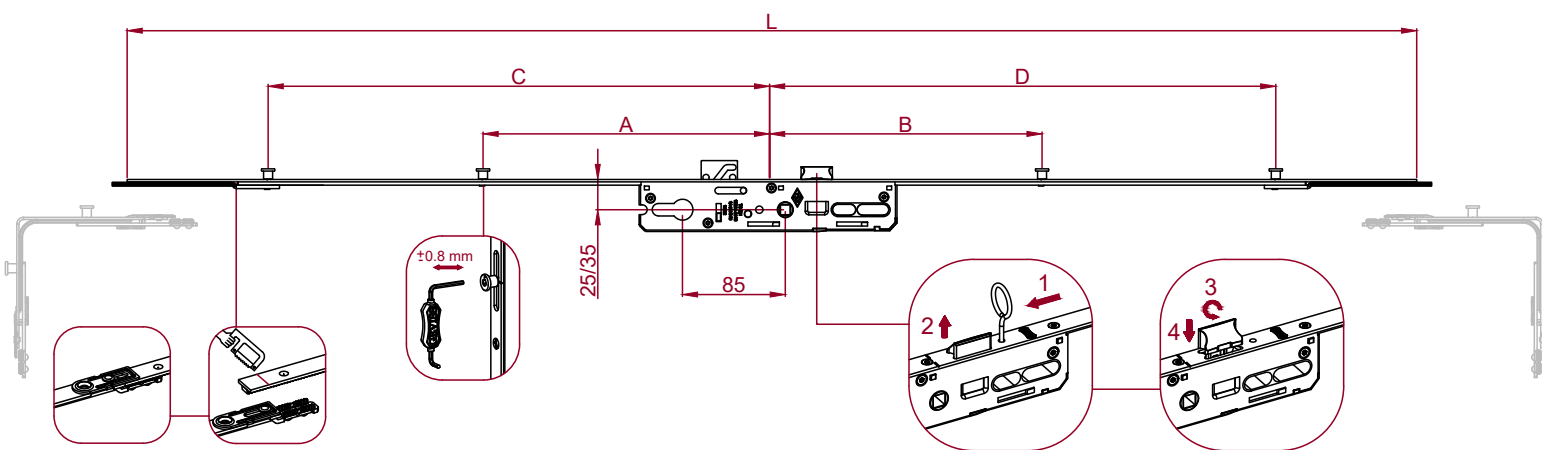
PRODUCT CODE	EXPLANATION		L	A	B	C	D				
			(mm)	(mm)	(mm)	(mm)	(mm)				
KKI-KES M.2585-1600	LOCKABLE DOOR ESPAGNOLETTE (DOUBLE SIDE METAL) CUTABLE		1750-1850	1600	221	239	675	693	4	12	20
KKI-KES M.2585-1800			1950-2050	1800	271	289	775	793	4	12	20
KKI-KES M.2585-2000			2150-2250	2000	321	339	875	893	4	12	20
KKI-KES M.3585-1600	LOCKABLE DOOR ESPAGNOLETTE (DOUBLE SIDE METAL) CUTABLE		1750-1850	1600	221	239	675	693	4	12	20
KKI-KES M.3585-1800			1950-2050	1800	271	289	775	793	4	12	20
KKI-KES M.3585-2000			2150-2250	2000	321	339	875	893	4	12	20

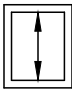



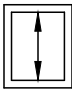
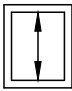


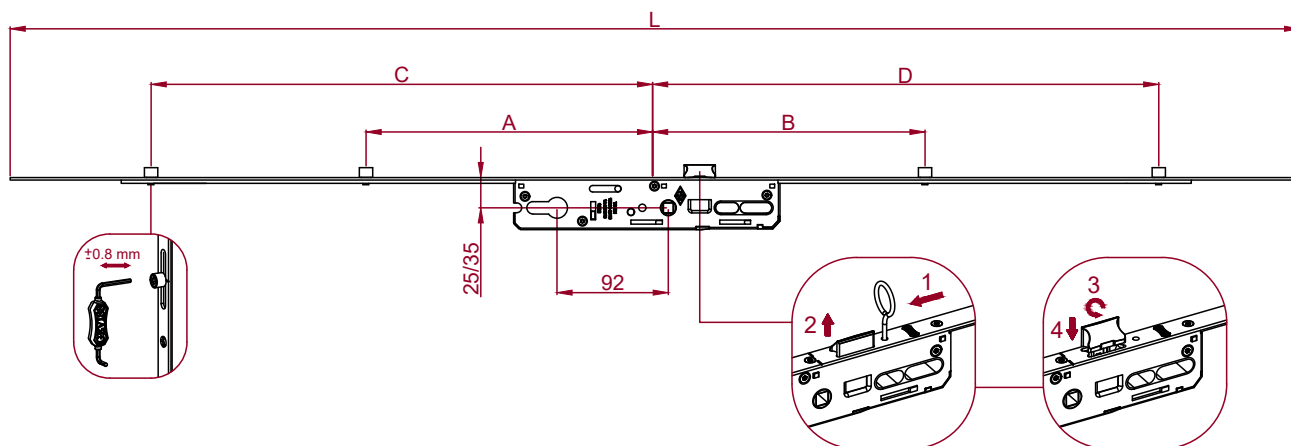
PRODUCT CODE	EXPLANATION		L	A	B	C	D				
			(mm)	(mm)	(mm)	(mm)	(mm)				
KKI-KES M.2585-1600-G	LOCKABLE DOOR ESPAGNOLETTE (DOUBLE SIDE METAL) SECURY CUTABLE		1750-1850	1600	221	239	675	693	4	12	20
KKI-KES M.2585-1800-G			1950-2050	1800	271	289	775	793	4	12	20
KKI-KES M.2585-2000-G			2150-2250	2000	321	339	875	893	4	12	20
KKI-KES M.3585-1600-G	LOCKABLE DOOR ESPAGNOLETTE (DOUBLE SIDE METAL) SECURY CUTABLE		1750-1850	1600	221	239	675	693	4	12	20
KKI-KES M.3585-1800-G			1950-2050	1800	271	289	775	793	4	12	20
KKI-KES M.3585-2000-G			2150-2250	2000	321	339	875	893	4	12	20

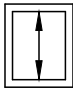



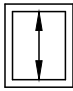
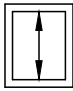


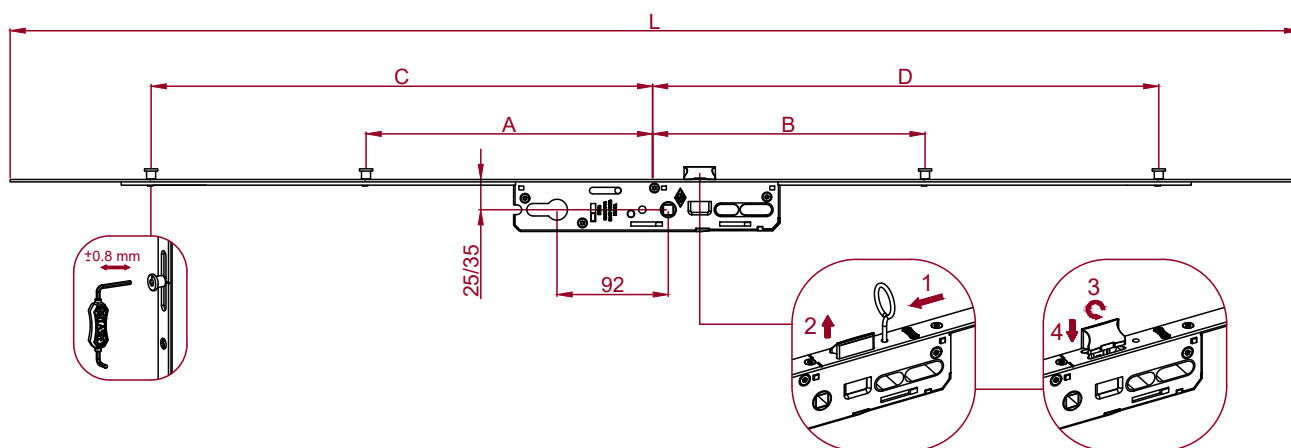
PRODUCT CODE	EXPLANATION		L	A	B	C	D				
			(mm)	(mm)	(mm)	(mm)	(mm)				
KKI-KES M.2585.DL-1600	LOCKABLE DOOR ESPAGNOLETTE (DOUBLE SIDE METAL) WITH LATCH - CUTABLE		1750-1850	1600	221	239	675	693	4	12	20
KKI-KES M.2585.DL-1800			1950-2050	1800	271	289	775	793	4	12	20
KKI-KES M.2585.DL-2000			2150-2250	2000	321	339	875	893	4	12	20
KKI-KES M.3585.DL-1600	LOCKABLE DOOR ESPAGNOLETTE (DOUBLE SIDE METAL) WITH LATCH - CUTABLE		1750-1850	1600	221	239	675	693	4	12	20
KKI-KES M.3585.DL-1800			1950-2050	1800	271	289	775	793	4	12	20
KKI-KES M.3585.DL-2000			2150-2250	2000	321	339	875	893	4	12	20

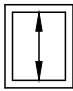

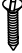

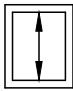
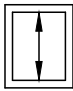


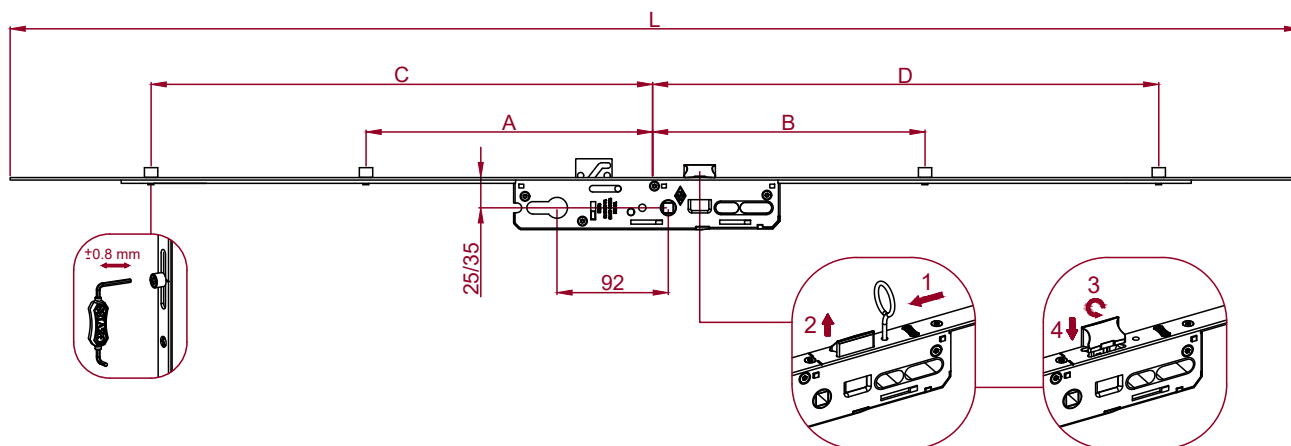
PRODUCT CODE	EXPLANATION		L	A	B	C	D				
			(mm)	(mm)	(mm)	(mm)	(mm)				
KKI-KES M.2585.DL-1600-G	LOCKABLE DOOR ESPAGNOLETTE (DOUBLE SIDE METAL) SECURITY - WITH LATCH - CUTABLE		1750-1850	1600	221	239	675	693	4	12	20
KKI-KES M.2585.DL-1800-G			1950-2050	1800	271	289	775	793	4	12	20
KKI-KES M.2585.DL-2000-G			2150-2250	2000	321	339	875	893	4	12	20
KKI-KES M.3585.DL-1600-G	LOCKABLE DOOR ESPAGNOLETTE (DOUBLE SIDE METAL) SECURITY - WITH LATCH - CUTABLE		1750-1850	1600	221	239	675	693	4	12	20
KKI-KES M.3585.DL-1800-G			1950-2050	1800	271	289	775	793	4	12	20
KKI-KES M.3585.DL-2000-G			2150-2250	2000	321	339	875	893	4	12	20

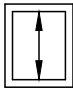





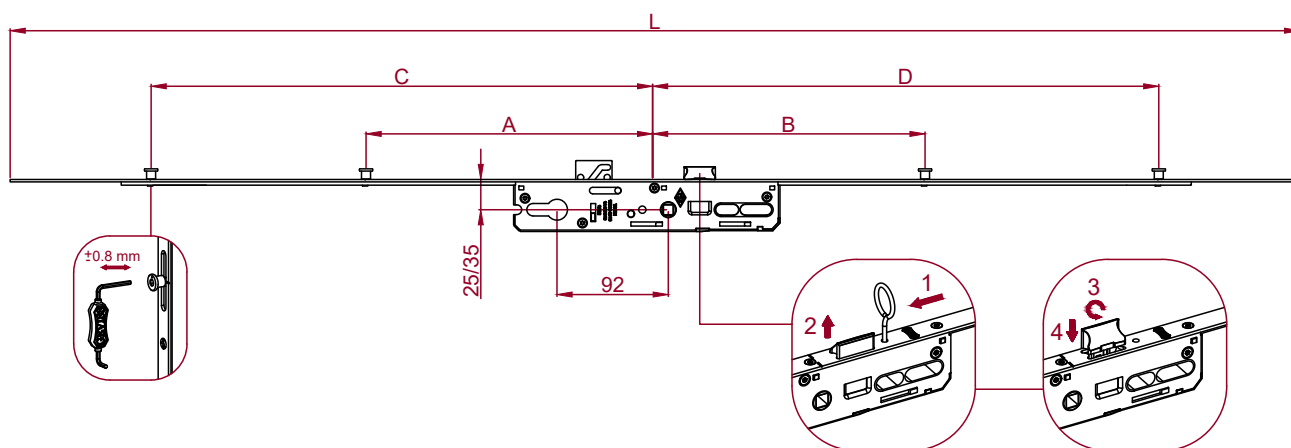
PRODUCT CODE	EXPLANATION		L	A	B	C	D				
			(mm)	(mm)	(mm)	(mm)	(mm)				
KKI M.2592-1600	LOCKABLE DOOR ESPAGNOLETTE (DOUBLE SIDE METAL)		1600-1800	1600	221	239	675	693	4	12	20
KKI M.2592-1800			1800-2000	1800	271	289	775	793	4	12	20
KKI M.2592-2000			2000-2200	2000	321	339	875	893	4	12	20
KKI M.3592-1600	LOCKABLE DOOR ESPAGNOLETTE (DOUBLE SIDE METAL)		1600-1800	1600	221	239	675	693	4	12	20
KKI M.3592-1800			1800-2000	1800	271	289	775	793	4	12	20
KKI M.3592-2000			2000-2200	2000	321	339	875	893	4	12	20

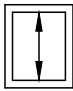

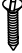



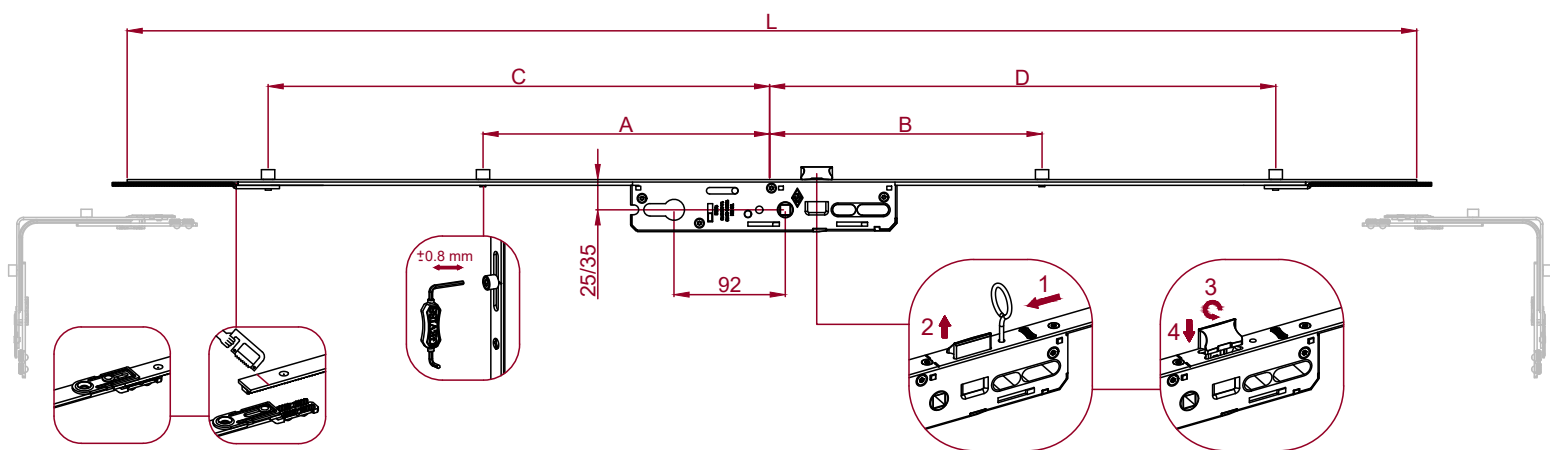
PRODUCT CODE	EXPLANATION		L	A	B	C	D				
			(mm)	(mm)	(mm)	(mm)	(mm)				
KKI M.2592-1600-G	LOCKABLE DOOR ESPAGNOLETTE (DOUBLE SIDE METAL) - SECURITY		1600-1800	1600	221	239	675	693	4	12	20
KKI M.2592-1800-G			1800-2000	1800	271	289	775	793	4	12	20
KKI M.2592-2000-G			2000-2200	2000	321	339	875	893	4	12	20
KKI M.3592-1600-G	LOCKABLE DOOR ESPAGNOLETTE (DOUBLE SIDE METAL) - SECURITY		1600-1800	1600	221	239	675	693	4	12	20
KKI M.3592-1800-G			1800-2000	1800	271	289	775	793	4	12	20
KKI M.3592-2000-G			2000-2200	2000	321	339	875	893	4	12	20

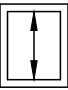



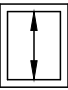
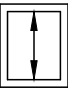


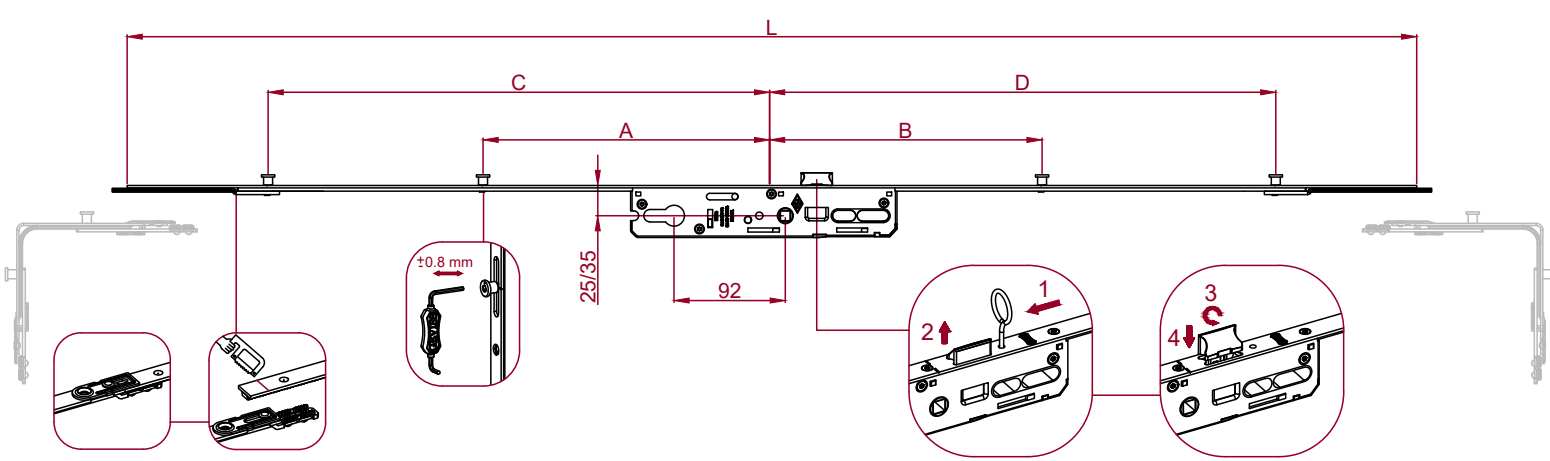
PRODUCT CODE	EXPLANATION		L	A	B	C	D			
			(mm)	(mm)	(mm)	(mm)	(mm)			
KKI M.2592.DL-1600	LOCKABLE DOOR ESPAGNOLETTE (DOUBLE SIDE METAL) WITH LATCH	1600-1800	1600	221	239	675	693	4	12	20
KKI M.2592.DL-1800		1800-2000	1800	271	289	775	793	4	12	20
KKI M.2592.DL-2000		2000-2200	2000	321	339	875	893	4	12	20
KKI M.3592.DL-1600	LOCKABLE DOOR ESPAGNOLETTE (DOUBLE SIDE METAL) WITH LATCH	1600-1800	1600	221	239	675	693	4	12	20
KKI M.3592.DL-1800		1800-2000	1800	271	289	775	793	4	12	20
KKI M.3592.DL-2000		2000-2200	2000	321	339	875	893	4	12	20

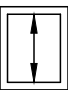



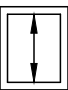
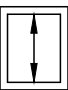


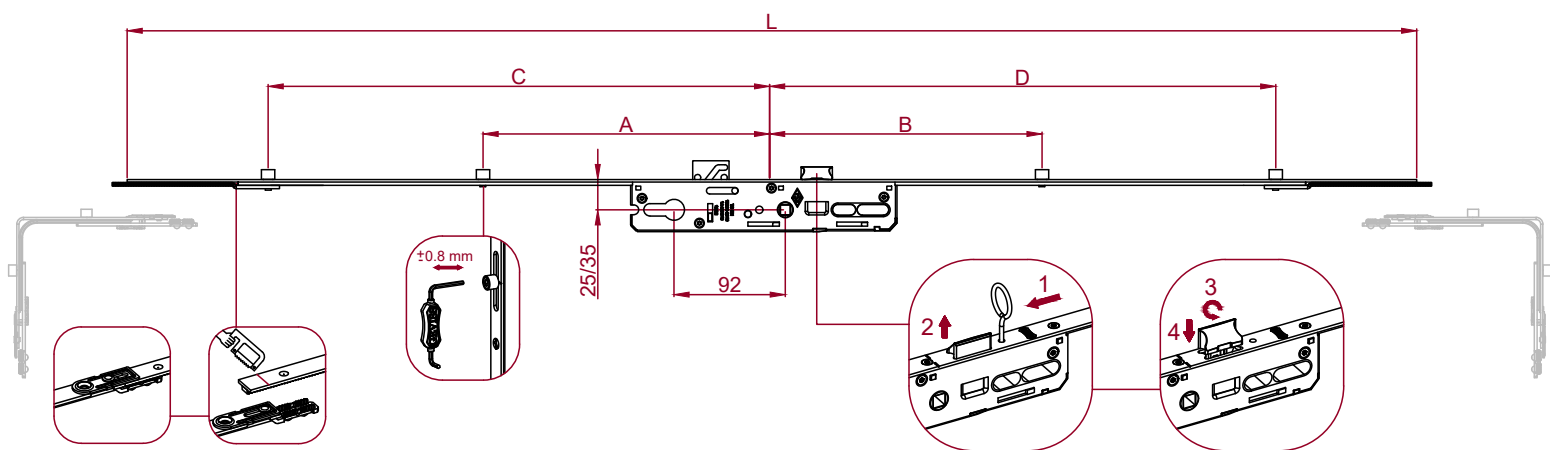
PRODUCT CODE	EXPLANATION		L	A	B	C	D			
			(mm)	(mm)	(mm)	(mm)	(mm)			
KKI M.2592.DL-1600-G	LOCKABLE DOOR ESPAGNOLETTE (DOUBLE SIDE METAL) SECURY WITH LATCH	1600-1800	1600	221	239	675	693	4	12	20
KKI M.2592.DL-1800-G		1800-2000	1800	271	289	775	793	4	12	20
KKI M.2592.DL-2000-G		2000-2200	2000	321	339	875	893	4	12	20
KKI M.3592.DL-1600-G	LOCKABLE DOOR ESPAGNOLETTE (DOUBLE SIDE METAL) SECURY WITH LATCH	1600-1800	1600	221	239	675	693	4	12	20
KKI M.3592.DL-1800-G		1800-2000	1800	271	289	775	793	4	12	20
KKI M.3592.DL-2000-G		2000-2200	2000	321	339	875	893	4	12	20



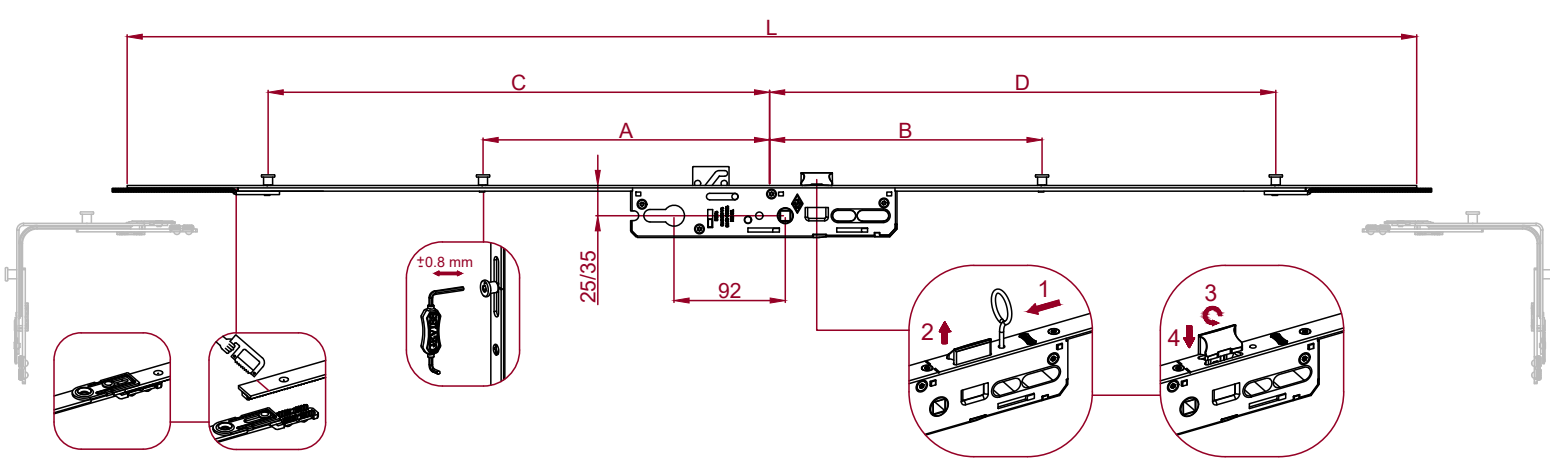
PRODUCT CODE	EXPLANATION		L (mm)	A (mm)	B (mm)	C (mm)	D (mm)				
KKI-KES M.2592-1600	LOCKABLE DOOR ESPAGNOLETTE (DOUBLE SIDE METAL) CUTABLE		1750-1850	1600	221	239	675	693	4	12	20
KKI-KES M.2592-1800			1950-2050	1800	271	289	775	793	4	12	20
KKI-KES M.2592-2000			2150-2250	2000	321	339	875	893	4	12	20
KKI-KES M.3592-1600	LOCKABLE DOOR ESPAGNOLETTE (DOUBLE SIDE METAL) CUTABLE		1750-1850	1600	221	239	675	693	4	12	20
KKI-KES M.3592-1800			1950-2050	1800	271	289	775	793	4	12	20
KKI-KES M.3592-2000			2150-2250	2000	321	339	875	893	4	12	20



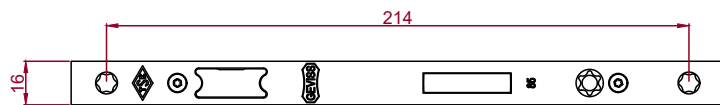
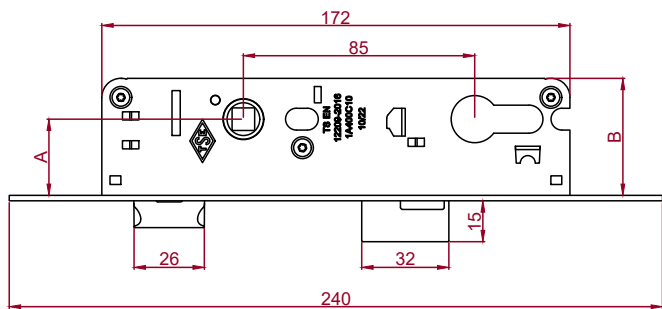
PRODUCT CODE	EXPLANATION		L (mm)	A (mm)	B (mm)	C (mm)	D (mm)				
KKI-KES M.2592-1600-G	LOCKABLE DOOR ESPAGNOLETTE (DOUBLE SIDE METAL) SECURY CUTABLE		1750-1850	1600	221	239	675	693	4	12	20
KKI-KES M.2592-1800-G			1950-2050	1800	271	289	775	793	4	12	20
KKI-KES M.2592-2000-G			2150-2250	2000	321	339	875	893	4	12	20
KKI-KES M.3585-1600-G	LOCKABLE DOOR ESPAGNOLETTE (DOUBLE SIDE METAL) SECURY CUTABLE		1750-1850	1600	221	239	675	693	4	12	20
KKI-KES M.3585-1800-G			1950-2050	1800	271	289	775	793	4	12	20
KKI-KES M.3585-2000-G			2150-2250	2000	321	339	875	893	4	12	20





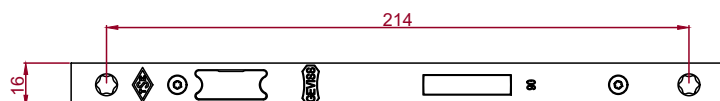
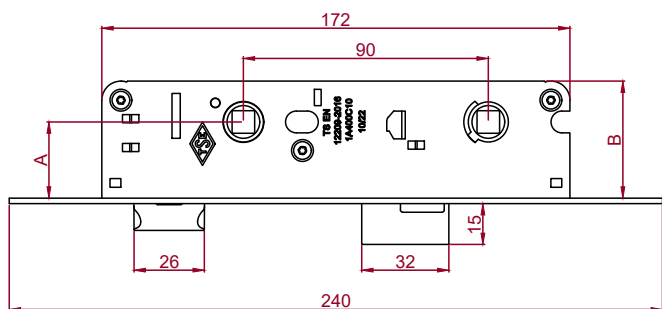
PRODUCT CODE	EXPLANATION		L	A	B	C	D				
			(mm)	(mm)	(mm)	(mm)	(mm)				
KKI-KES M.2592.DL-1600	LOCKABLE DOOR ESPAGNOLETTE (DOUBLE SIDE METAL) WITH LATCH - CUTABLE		1750-1850	1600	221	239	675	693	4	12	20
KKI-KES M.2592.DL-1800			1950-2050	1800	271	289	775	793	4	12	20
KKI-KES M.2592.DL-2000			2150-2250	2000	321	339	875	893	4	12	20
KKI-KES M.3592.DL-1600	LOCKABLE DOOR ESPAGNOLETTE (DOUBLE SIDE METAL) WITH LATCH - CUTABLE		1750-1850	1600	221	239	675	693	4	12	20
KKI-KES M.3592.DL-1800			1950-2050	1800	271	289	775	793	4	12	20
KKI-KES M.3592.DL-2000			2150-2250	2000	321	339	875	893	4	12	20





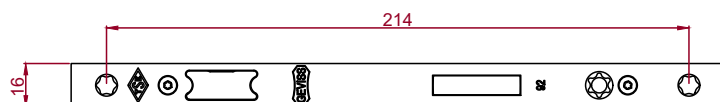
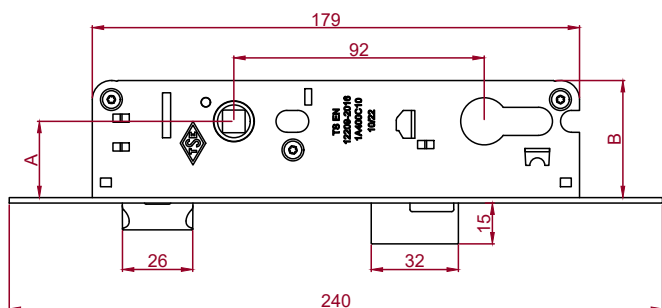
PRODUCT CODE	EXPLANATION		L	A	B	C	D				
			(mm)	(mm)	(mm)	(mm)	(mm)				
KKI-KES M.2592.DL-1600-G	LOCKABLE DOOR ESPAGNOLETTE (DOUBLE SIDE METAL) SECURY - WITH LATCH - CUTABLE		1750-1850	1600	221	239	675	693	4	12	20
KKI-KES M.2592.DL-1800-G			1950-2050	1800	271	289	775	793	4	12	20
KKI-KES M.2592.DL-2000-G			2150-2250	2000	321	339	875	893	4	12	20
KKI-KES M.3592.DL-1600-G	LOCKABLE DOOR ESPAGNOLETTE (DOUBLE SIDE METAL) SECURY - WITH LATCH - CUTABLE		1750-1850	1600	221	239	675	693	4	12	20
KKI-KES M.3592.DL-1800-G			1950-2050	1800	271	289	775	793	4	12	20
KKI-KES M.3592.DL-2000-G			2150-2250	2000	321	339	875	893	4	12	20





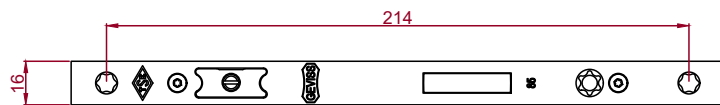
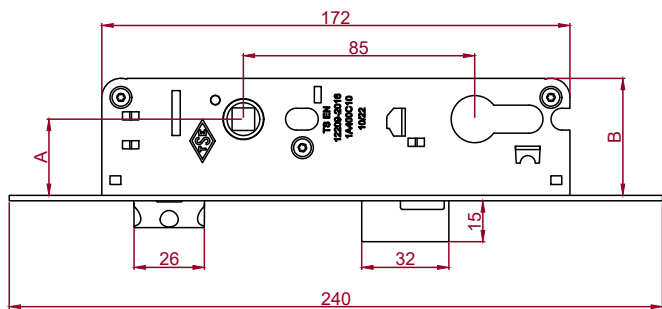
PRODUCT CODE	EXPLANATION	A (mm)	B (mm)		
G.16.2085.15	PVC DOOR LOCK	20	33	2	40
G.16.2585.15		25	38	2	40
G.16.3085.15		30	43	2	40
G.16.3585.15		35	47	2	40
G.16.4085.15		40	53	2	40
	METAL BODY				





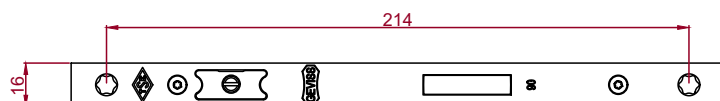
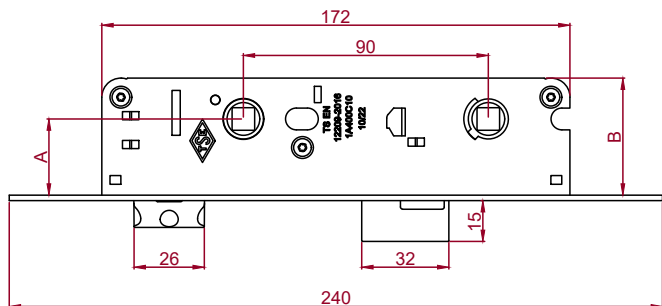
PRODUCT CODE	EXPLANATION	A (mm)	B (mm)		
G.16.20WC.15	PVC DOOR LOCK	20	33	2	40
G.16.25WC.15		25	38	2	40
G.16.30WC.15		30	43	2	40
G.16.35WC.15		35	47	2	40
G.16.40WC.15		40	53	2	40
	METAL BODY				




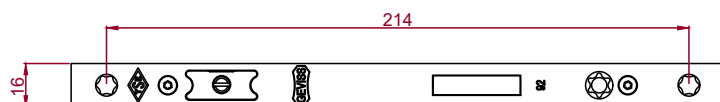
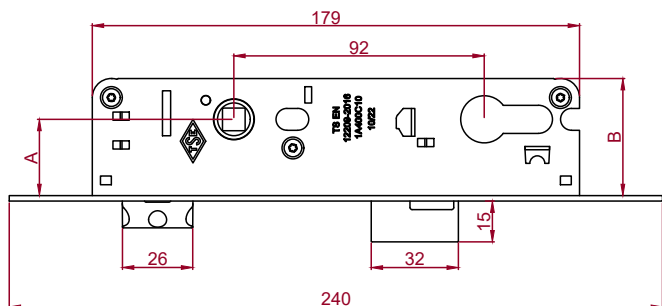
PRODUCT CODE	EXPLANATION	A (mm)	B (mm)		
G.16.2092.15	PVC DOOR LOCK	20	33	2	40
G.16.2592.15		25	38	2	40
G.16.3092.15		30	43	2	40
G.16.3592.15		35	47	2	40
G.16.4092.15		40	53	2	40
	METAL BODY				





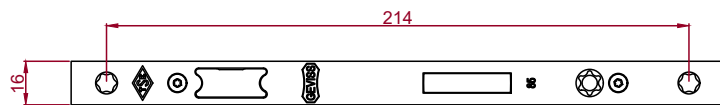
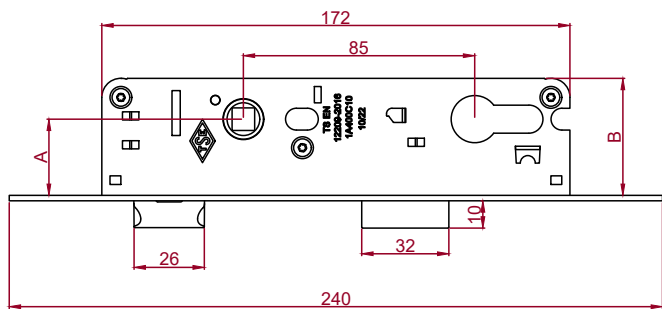
PRODUCT CODE	EXPLANATION	A (mm)	B (mm)		
G.16.2085.15AD	PVC DOOR LOCK - ADJUSTABLE TOP LATCH METAL BODY	20	33	2	40
G.16.2585.15AD		25	38	2	40
G.16.3085.15AD		30	43	2	40
G.16.3585.15AD		35	47	2	40
G.16.4085.15AD		40	53	2	40



PRODUCT CODE	EXPLANATION	A (mm)	B (mm)		
G.16.20WC.15AD	PVC DOOR LOCK - ADJUSTABLE TOP LATCH METAL BODY	20	33	2	40
G.16.25WC.15AD		25	38	2	40
G.16.30WC.15AD		30	43	2	40
G.16.35WC.15AD		35	47	2	40
G.16.40WC.15AD		40	53	2	40



PRODUCT CODE	EXPLANATION	A (mm)	B (mm)		
G.16.2092.15AD	PVC DOOR LOCK - ADJUSTABLE TOP LATCH METAL BODY	20	33	2	40
G.16.2592.15AD		25	38	2	40
G.16.3092.15AD		30	43	2	40
G.16.3592.15AD		35	47	2	40
G.16.4092.15AD		40	53	2	40



PRODUCT CODE

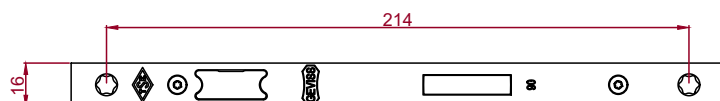
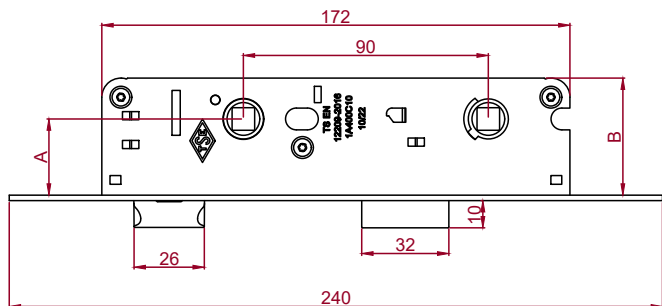
EXPLANATION

A
(mm)

B
(mm)



G.16.2085.10	PVC DOOR LOCK - SHORT BOTTOM LATCH METAL BODY	20	33	2	40
G.16.2585.10		25	38	2	40
G.16.3085.10		30	43	2	40
G.16.3585.10		35	47	2	40
G.16.4085.10		40	53	2	40



PRODUCT CODE

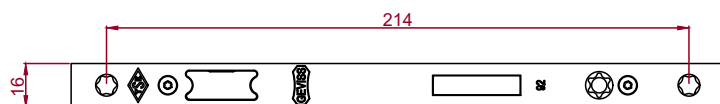
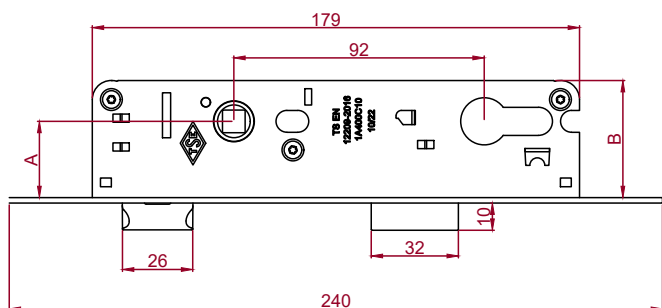
EXPLANATION

A
(mm)

B
(mm)



G.16.20WC.10	PVC DOOR LOCK - SHORT BOTTOM LATCH METAL BODY	20	33	2	40
G.16.25WC.10		25	38	2	40
G.16.30WC.10		30	43	2	40
G.16.35WC.10		35	47	2	40
G.16.40WC.10		40	53	2	40



PRODUCT CODE

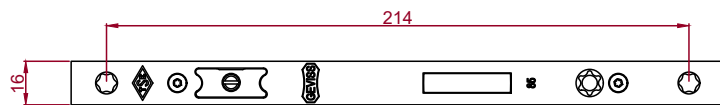
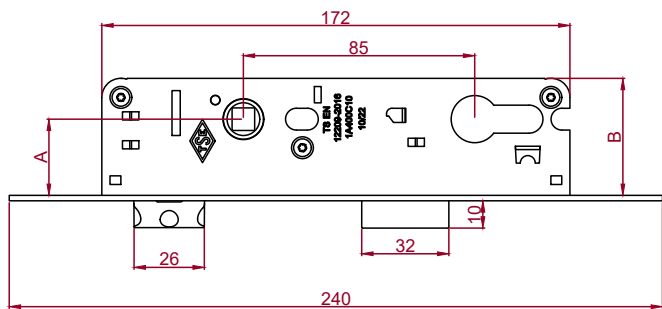
EXPLANATION

A
(mm)

B
(mm)



G.16.2092.10	PVC DOOR LOCK - SHORT BOTTOM LATCH METAL BODY	20	33	2	40
G.16.2592.10		25	38	2	40
G.16.3092.10		30	43	2	40
G.16.3592.10		35	47	2	40
G.16.4092.10		40	53	2	40



PRODUCT CODE

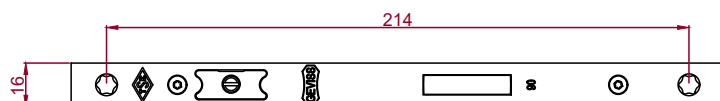
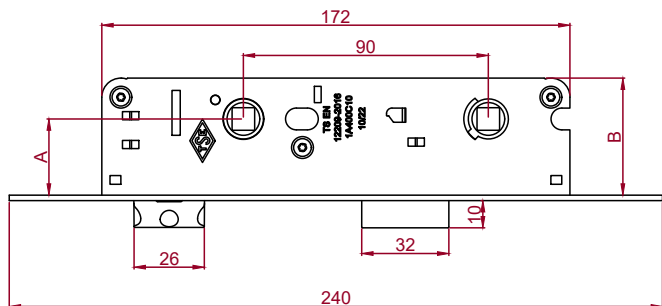
EXPLANATION

A
(mm)

B
(mm)



G.16.2085.10AD	PVC DOOR LOCK - ADJUSTABLE TOP LATCH / SHORT BOTTOM LATCH METAL BODY	20	33	2	40
G.16.2585.10AD		25	38	2	40
G.16.3085.10AD		30	43	2	40
G.16.3585.10AD		35	47	2	40
G.16.4085.10AD		40	53	2	40



PRODUCT CODE

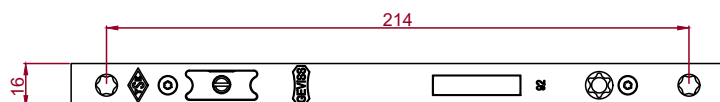
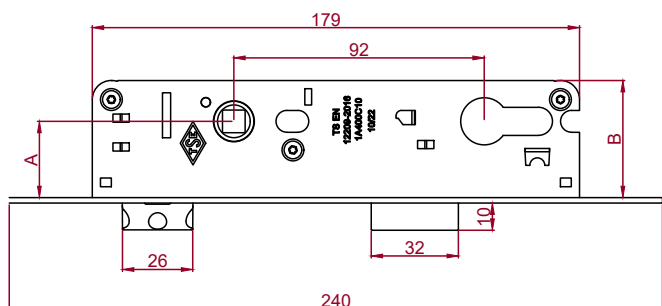
EXPLANATION

A
(mm)

B
(mm)



G.16.20WC.10AD	PVC DOOR LOCK - ADJUSTABLE TOP LATCH / SHORT BOTTOM LATCH METAL BODY	20	33	2	40
G.16.25WC.10AD		25	38	2	40
G.16.30WC.10AD		30	43	2	40
G.16.35WC.10AD		35	47	2	40
G.16.40WC.10AD		40	53	2	40



PRODUCT CODE

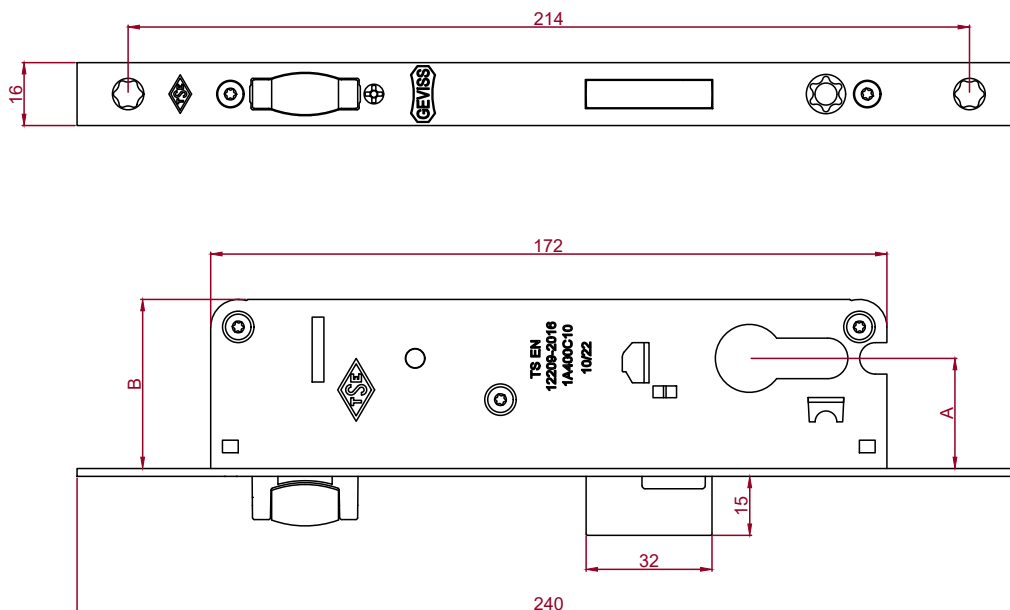
EXPLANATION



A
(mm)

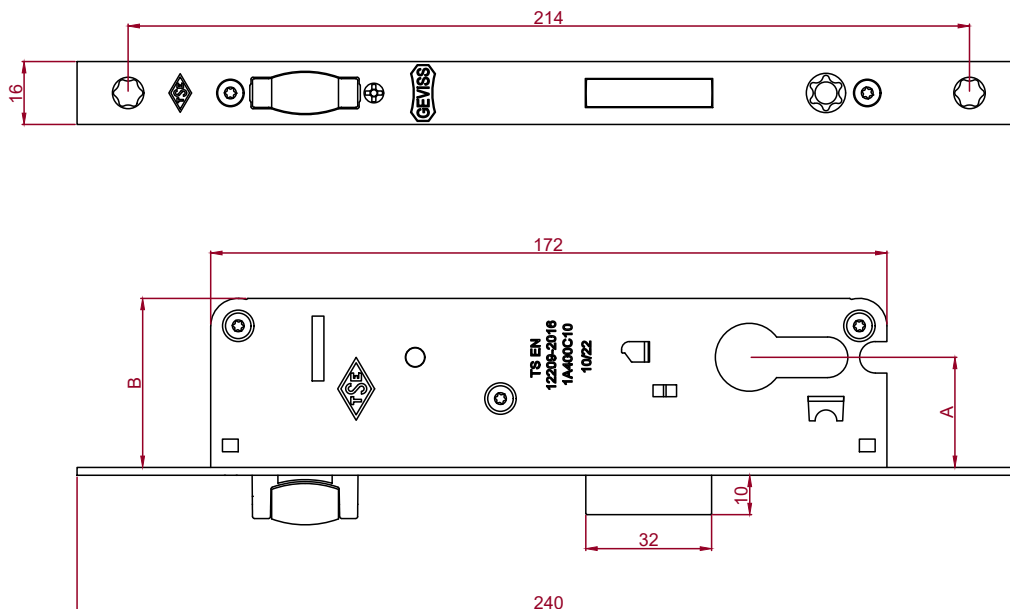
B
(mm)





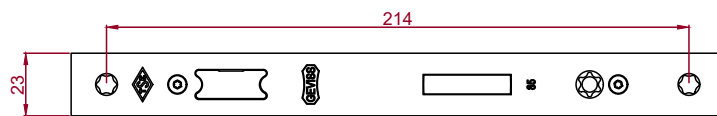
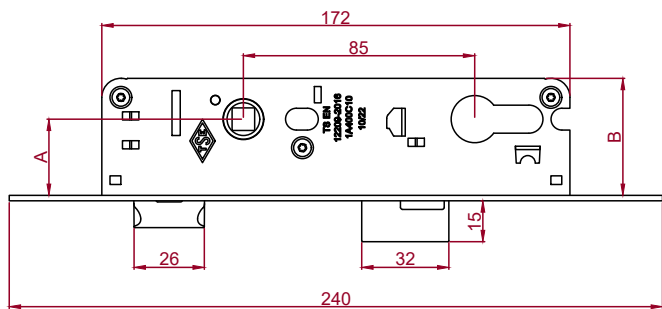
G.16.2092.10AD	PVC DOOR LOCK - ADJUSTABLE TOP LATCH / SHORT BOTTOM LATCH METAL BODY	20	33	2	40
G.16.2592.10AD		25	38	2	40
G.16.3092.10AD		30	43	2	40
G.16.3592.10AD		35	47	2	40
G.16.4092.10AD		40	53	2	40



PRODUCT CODE	EXPLANATION	A (mm)	B (mm)		
G.16.20MD.15	PVC DOOR LOCK WITH ROLLER LATCH METAL BODY	20	33	2	40
G.16.25MD.15		25	38	2	40
G.16.30MD.15		30	43	2	40
G.16.35MD.15		35	47	2	40
G.16.40MD.15		40	53	2	40



PRODUCT CODE	EXPLANATION	A (mm)	B (mm)		
G.16.20MD.10	PVC DOOR LOCK WITH ROLLER LATCH - SHORT BOTTOM LATCH METAL BODY	20	33	2	40
G.16.25MD.10		25	38	2	40
G.16.30MD.10		30	43	2	40
G.16.35MD.10		35	47	2	40
G.16.40MD.10		40	53	2	40



PRODUCT CODE

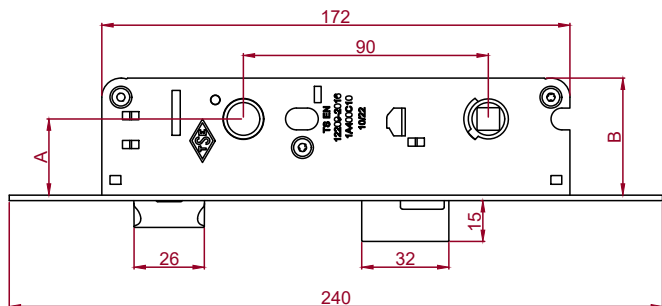
EXPLANATION

A
(mm)

B
(mm)



G.23.2085.15	ALUMINIUM DOOR LOCK	20	33	2	40
G.23.2585.15		25	38	2	40
G.23.3085.15		30	43	2	40
G.23.3585.15		35	47	2	40
G.23.4085.15		40	53	2	40
	METAL BODY				



PRODUCT CODE

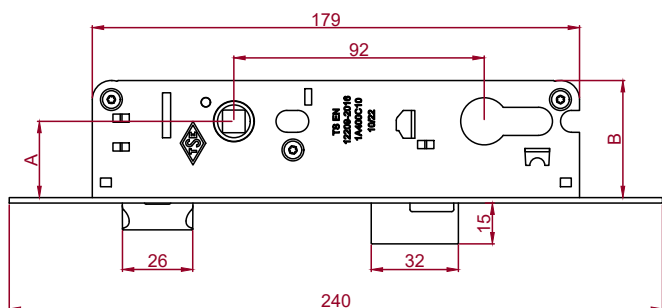
EXPLANATION

A
(mm)

B
(mm)



G.23.20WC.15	ALUMINIUM DOOR LOCK	20	33	2	40
G.23.25WC.15		25	38	2	40
G.23.30WC.15		30	43	2	40
G.23.35WC.15		35	47	2	40
G.23.40WC.15		40	53	2	40
	METAL BODY				



PRODUCT CODE

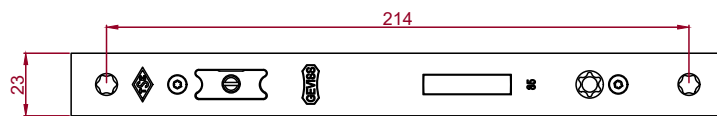
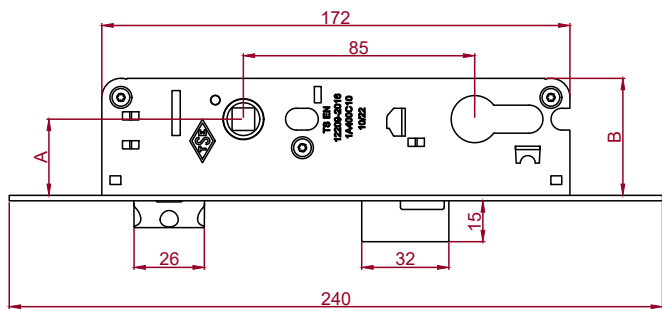
EXPLANATION

A
(mm)

B
(mm)



G.23.2092.15	ALUMINIUM DOOR LOCK	20	33	2	40
G.23.2592.15		25	38	2	40
G.23.3092.15		30	43	2	40
G.23.3592.15		35	47	2	40
G.23.4092.15		40	53	2	40
	METAL BODY				



PRODUCT CODE

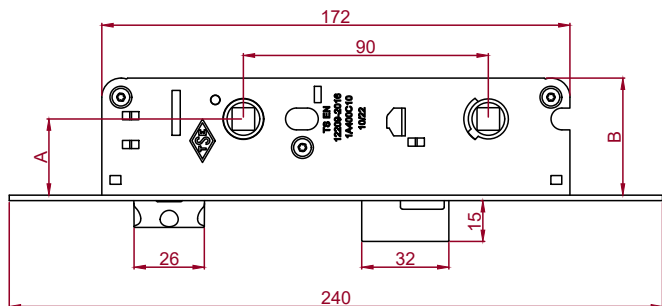
EXPLANATION

A
(mm)

B
(mm)



G.23.2085.15AD	ALUMINIUM DOOR LOCK - ADJUSTABLE TOP LATCH METAL BODY	20	33	2	40
G.23.2585.15AD		25	38	2	40
G.23.3085.15AD		30	43	2	40
G.23.3585.15AD		35	47	2	40
G.23.4085.15AD		40	53	2	40



PRODUCT CODE

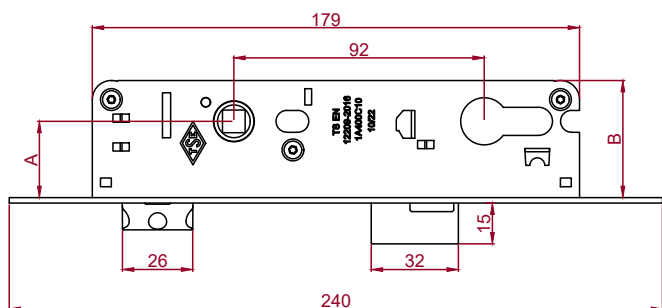
EXPLANATION

A
(mm)

B
(mm)



G.23.20WC.15AD	ALUMINIUM DOOR LOCK - ADJUSTABLE TOP LATCH METAL BODY	20	33	2	40
G.23.25WC.15AD		25	38	2	40
G.23.30WC.15AD		30	43	2	40
G.23.35WC.15AD		35	47	2	40
G.23.40WC.15AD		40	53	2	40



PRODUCT CODE

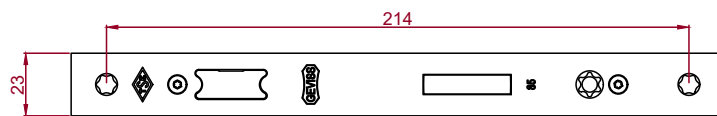
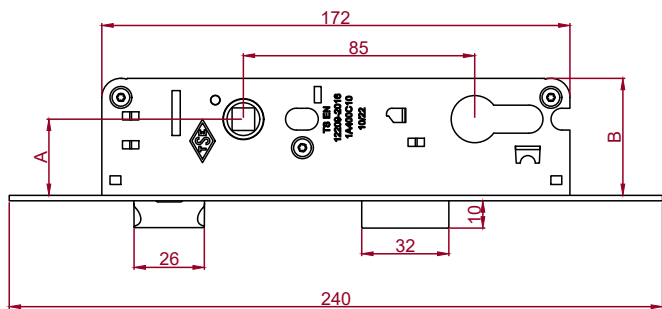
EXPLANATION



A
(mm)

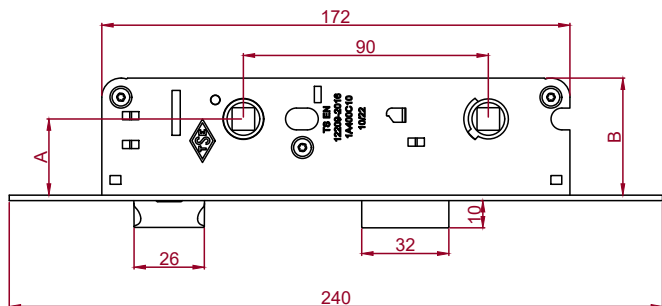
B
(mm)





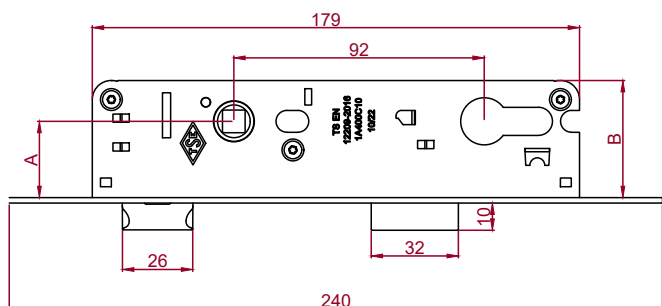
G.23.2092.15AD	ALUMINIUM DOOR LOCK - ADJUSTABLE TOP LATCH METAL BODY	20	33	2	40
G.23.2592.15AD		25	38	2	40
G.23.3092.15AD		30	43	2	40
G.23.3592.15AD		35	47	2	40
G.23.4092.15AD		40	53	2	40





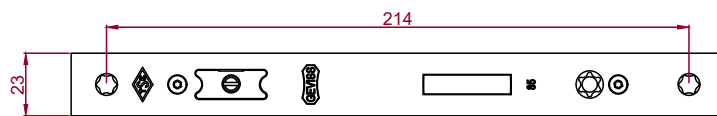
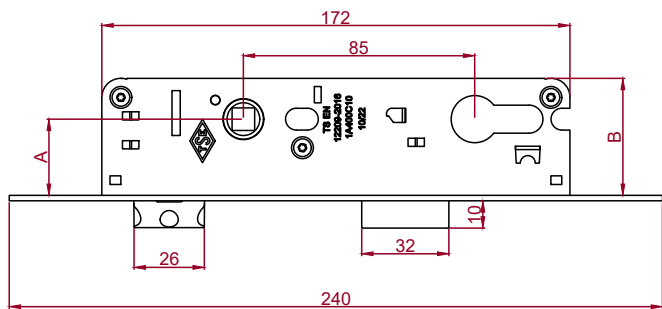
PRODUCT CODE	EXPLANATION	A (mm)	B (mm)		
G.23.2085.10	ALUMINIUM DOOR LOCK - SHORT BOTTOM LATCH	20	33	2	40
G.23.2585.10		25	38	2	40
G.23.3085.10		30	43	2	40
G.23.3585.10		35	47	2	40
G.23.4085.10		40	53	2	40
	METAL BODY				



PRODUCT CODE	EXPLANATION	A (mm)	B (mm)		
G.23.20WC.10	ALUMINIUM DOOR LOCK - SHORT BOTTOM LATCH	20	33	2	40
G.23.25WC.10		25	38	2	40
G.23.30WC.10		30	43	2	40
G.23.35WC.10		35	47	2	40
G.23.40WC.10		40	53	2	40
	METAL BODY				



PRODUCT CODE	EXPLANATION	A (mm)	B (mm)		
G.23.2092.10	ALUMINIUM DOOR LOCK - SHORT BOTTOM LATCH	20	33	2	40
G.23.2592.10		25	38	2	40
G.23.3092.10		30	43	2	40
G.23.3592.10		35	47	2	40
G.23.4092.10		40	53	2	40
	METAL BODY				



PRODUCT CODE

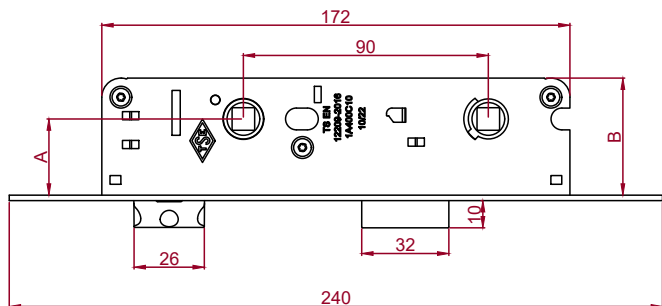
EXPLANATION

A
(mm)

B
(mm)



PRODUCT CODE	EXPLANATION	A (mm)	B (mm)	Screw	Box
G.23.2085.10AD	ALUMINIUM DOOR LOCK - ADJUSTABLE TOP LATCH / SHORT BOTTOM LATCH	20	33	2	40
G.23.2585.10AD		25	38	2	40
G.23.3085.10AD		30	43	2	40
G.23.3585.10AD		35	47	2	40
G.23.4085.10AD		40	53	2	40
	METAL BODY				



PRODUCT CODE

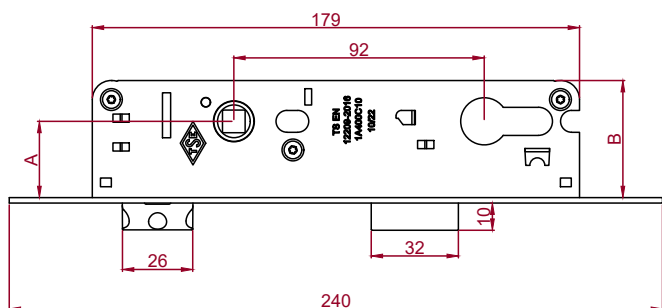
EXPLANATION

A
(mm)

B
(mm)



PRODUCT CODE	EXPLANATION	A (mm)	B (mm)	Screw	Box
G.23.20WC.10AD	ALUMINIUM DOOR LOCK - ADJUSTABLE TOP LATCH / SHORT BOTTOM LATCH	20	33	2	40
G.23.25WC.10AD		25	38	2	40
G.23.30WC.10AD		30	43	2	40
G.23.35WC.10AD		35	47	2	40
G.23.40WC.10AD		40	53	2	40
	METAL BODY				



PRODUCT CODE

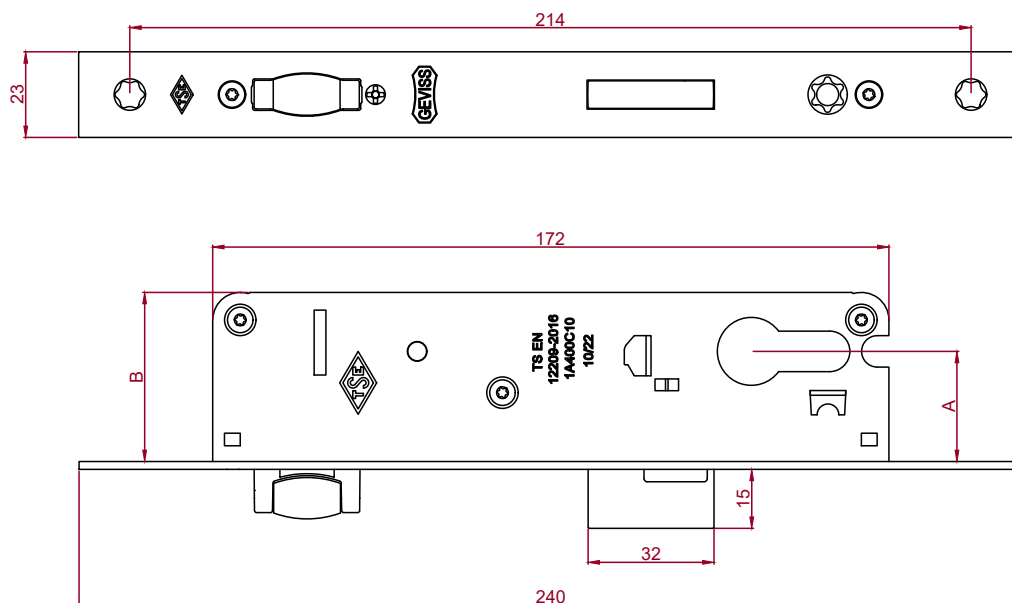
EXPLANATION

A
(mm)

B
(mm)



PRODUCT CODE	EXPLANATION	A (mm)	B (mm)	Screw	Box
G.23.2092.10AD	ALUMINIUM DOOR LOCK - ADJUSTABLE TOP LATCH / SHORT BOTTOM LATCH	20	33	2	40
G.23.2592.10AD		25	38	2	40
G.23.3092.10AD		30	43	2	40
G.23.3592.10AD		35	47	2	40
G.23.4092.10AD		40	53	2	40
	METAL BODY				



PRODUCT CODE

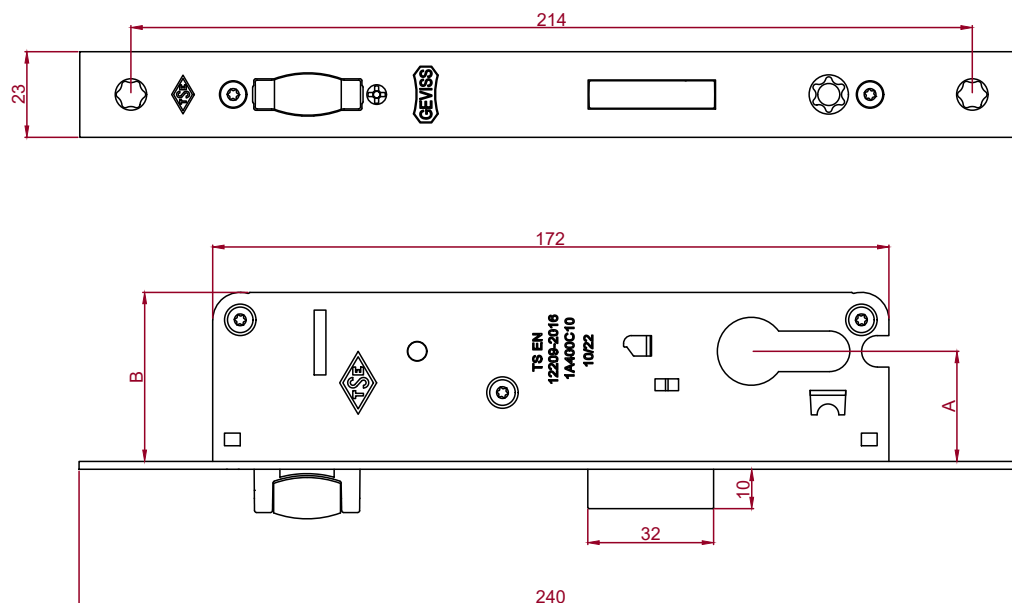
EXPLANATION

A
(mm)

B
(mm)



PRODUCT CODE	EXPLANATION	A (mm)	B (mm)	Screw	Box
G.23.20MD.15	ALUMINIUM DOOR LOCK WITH ROLLER LATCH METAL BODY	20	33	2	40
G.23.25MD.15		25	38	2	40
G.23.30MD.15		30	43	2	40
G.23.35MD.15		35	47	2	40
G.23.40MD.15		40	53	2	40



PRODUCT CODE

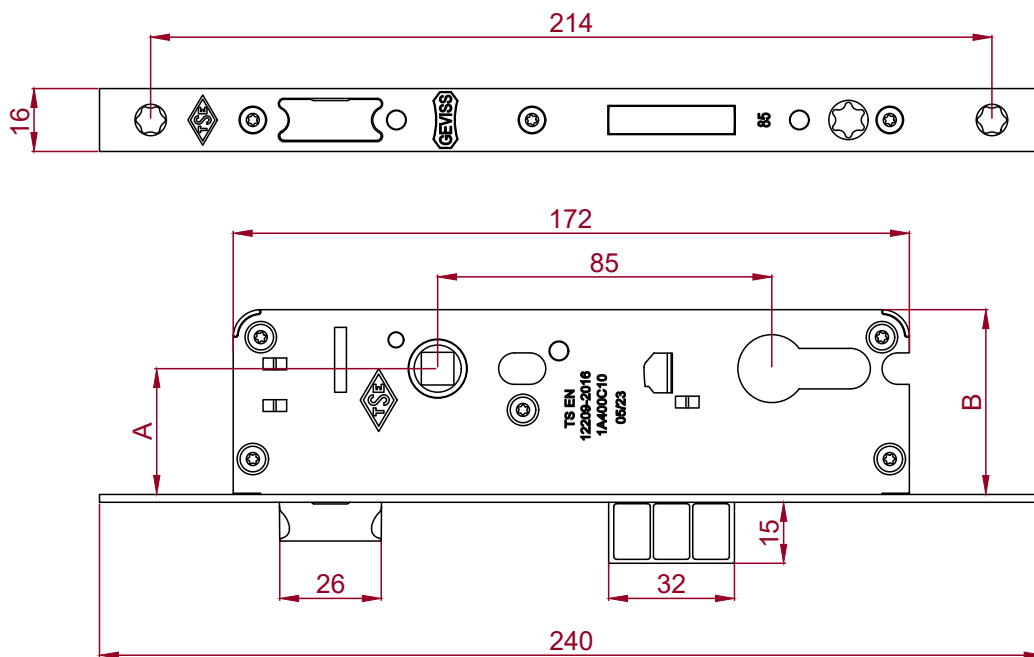
EXPLANATION



A
(mm)

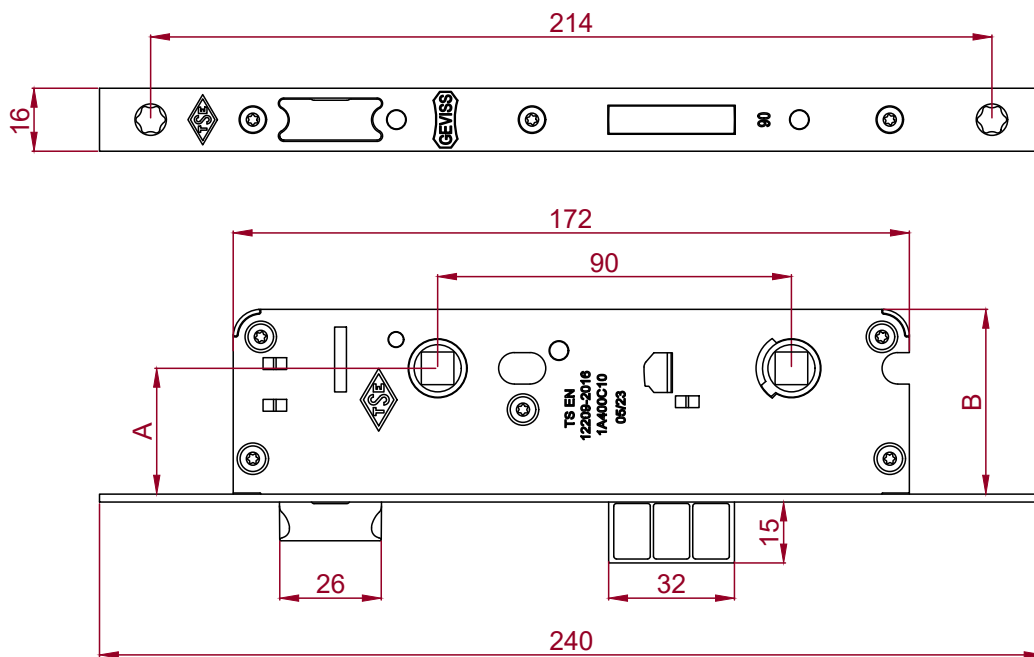
B
(mm)





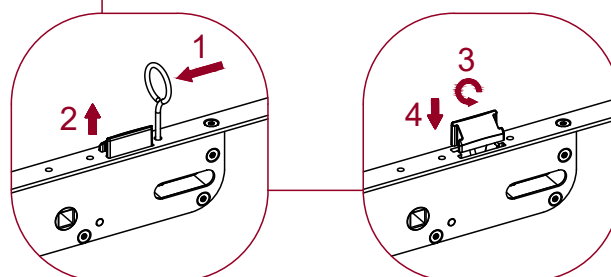
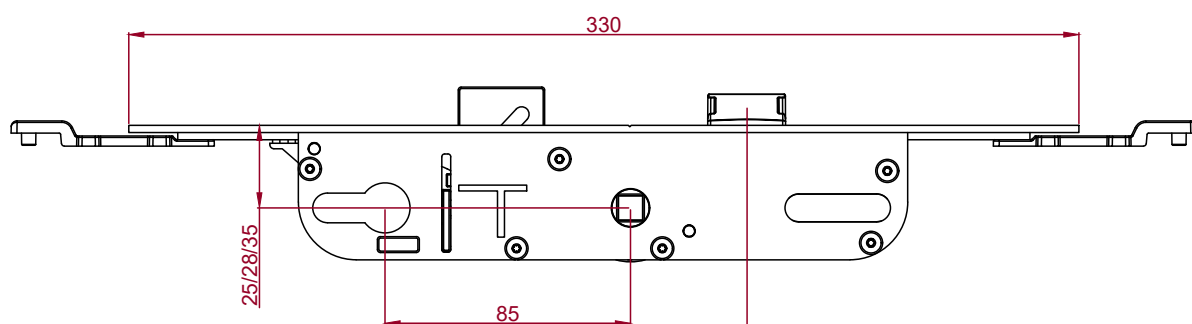
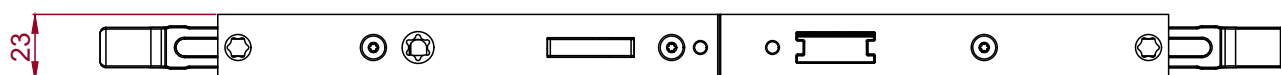
PRODUCT CODE	EXPLANATION	A (mm)	B (mm)	Screw	Box
G.23.20MD.10	ALUMINIUM DOOR LOCK WITH ROLLER LATCH - SHORT BOTTOM LATCH METAL BODY	20	33	2	40
G.23.25MD.10		25	38	2	40
G.23.30MD.10		30	43	2	40
G.23.35MD.10		35	47	2	40
G.23.40MD.10		40	53	2	40



PRODUCT CODE	EXPLANATION	A (mm)	B (mm)		
KKP 25 100	PVC - DOOR LOCK WITH CYLINDER HOLE	25	38	2	30
KKP 28 100		28	41	2	30
KKP 35 100		35	47	2	30



PRODUCT CODE	EXPLANATION	A (mm)	B (mm)		
KKP 25 110-WC	PVC - WC & BATHROOM DOOR LOCK	25	38	2	30
KKP 28 110-WC		28	41	2	30
KKP 35 110-WC		35	47	2	30

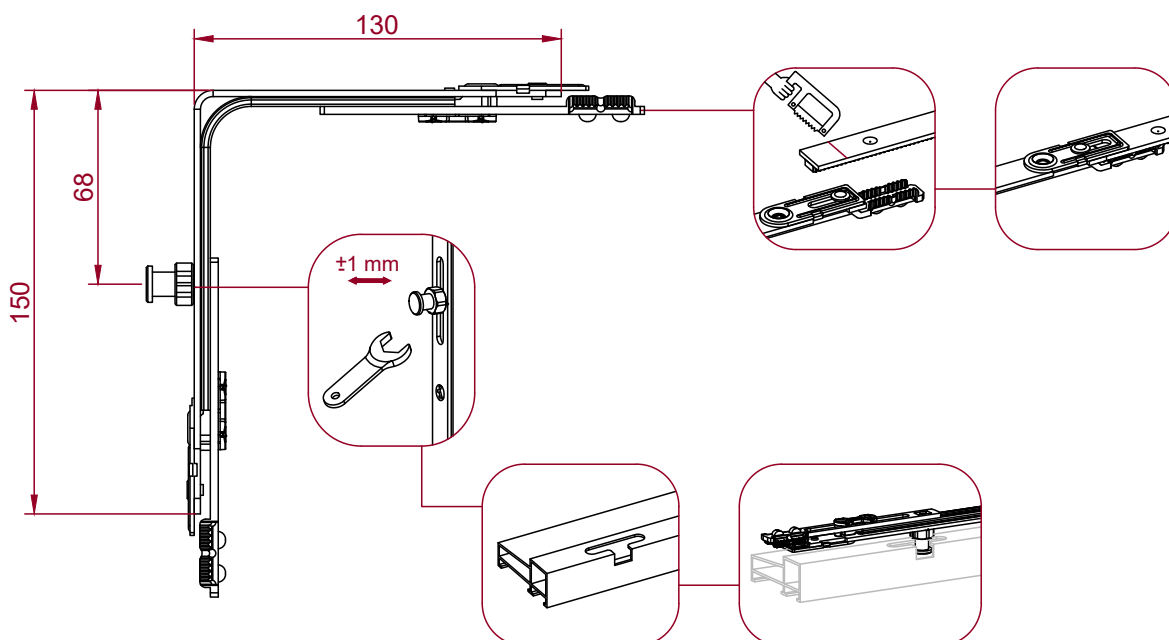


PRODUCT CODE

EXPLANATION



PRODUCT CODE	EXPLANATION		
ALM-KKI-25	MULTIPOINT LOCK FOR ALUMINIUM PROFILES	2	20
ALM-KKI-28		2	20
ALM-KKI-35		2	20



PRODUCT CODE

EXPLANATION



KDE 313

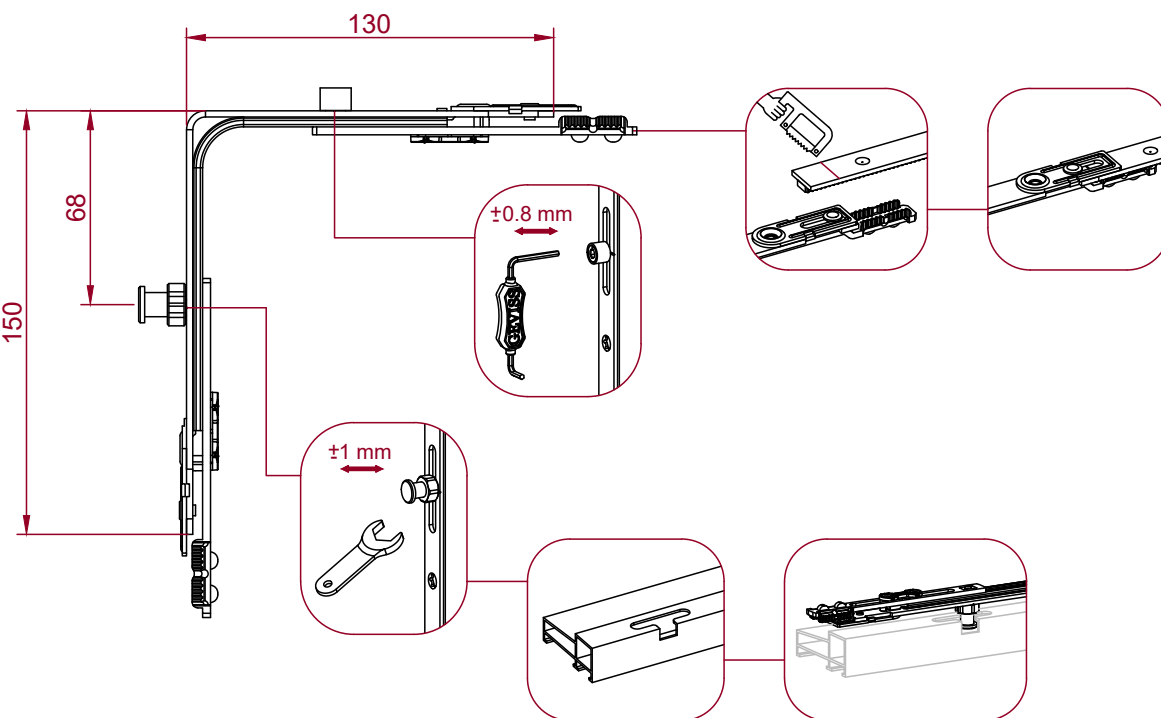
**CORNER TRANSMISSION PART
TILTS FROM FRAME PROFILE**

350-1350

450-2200

4

40



PRODUCT CODE

EXPLANATION



KDE 313-SP

CORNER TRANSMISSION PART TILTS FROM FRAME PROFILE - STANDARD PIN

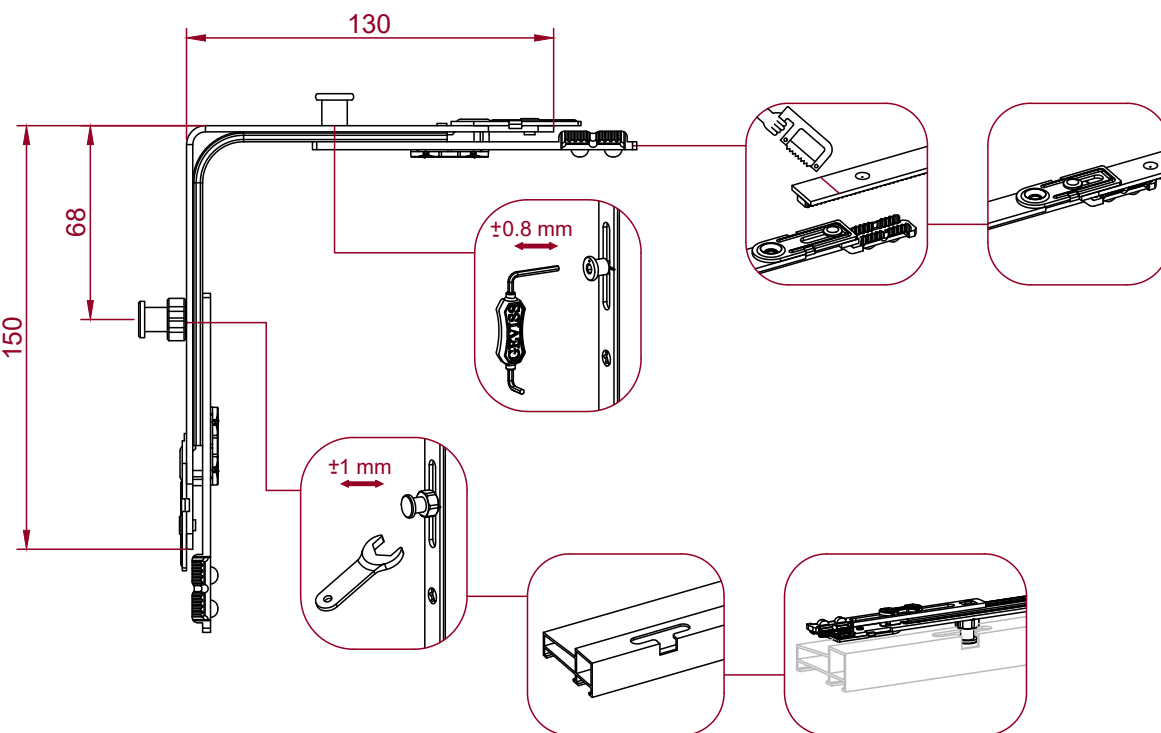
350-1350

450-2200

1

4

40



PRODUCT CODE

EXPLANATION



KDE 313-GP

CORNER TRANSMISSION PART TILTS FROM FRAME PROFILE - SECURITY

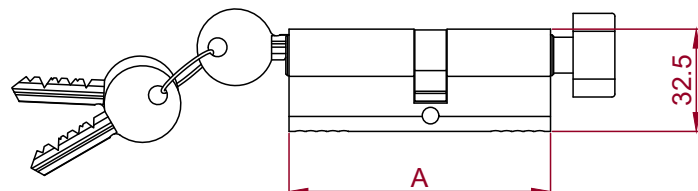
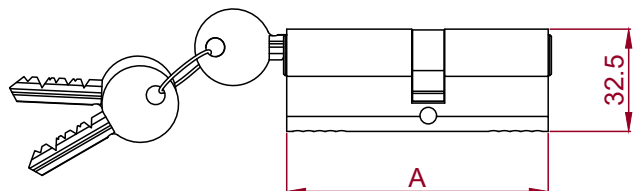
350-1350



450-2200

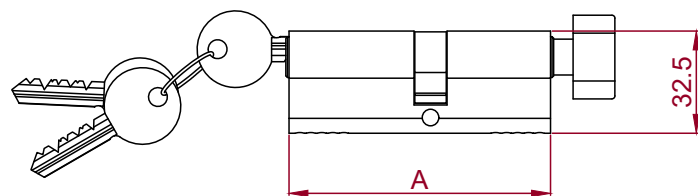
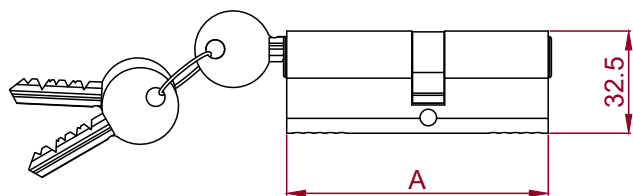
1



4

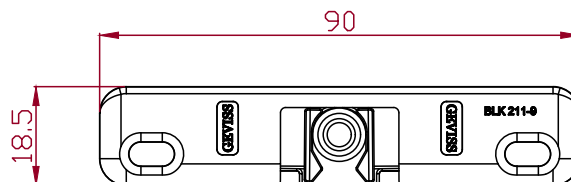
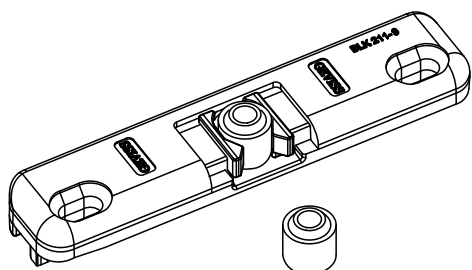
40



PRODUCT CODE	EXPLANATION	A (mm)		
G.BR.ZA.68	ZINC CYLINDER	68	1	120
G.BR.ZA.83		83	1	120
G.BR.ZA.90		90	1	120
G.BR.ZA.100		100	1	120
G.BR.T.68	ZINC CYLINDER FOR INTERIOR DOORS	68	1	120
G.BR.T.83		83	1	120
G.BR.T.90		90	1	120
G.BR.T.100		100	1	120



PRODUCT CODE	EXPLANATION	A (mm)		
G.BR.P.68	BRASS CYLINDER	68	1	120
G.BR.P.80		80	1	120
G.BR.P.83		83	1	120
G.BR.P.90		90	1	120
G.BR.P.100		100	1	120
G.BR.P.110		110	1	120
G.BR.PT.68	BRASS CYLINDER FOR INTERIOR DOORS	68	1	120
G.BR.PT.80		80	1	120
G.BR.PT.83		83	1	120
G.BR.PT.90		90	1	120
G.BR.PT.100		100	1	120
G.BR.PT.110		110	1	120



PRODUCT CODE

EXPLANATION

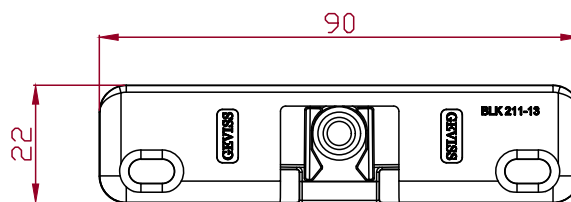
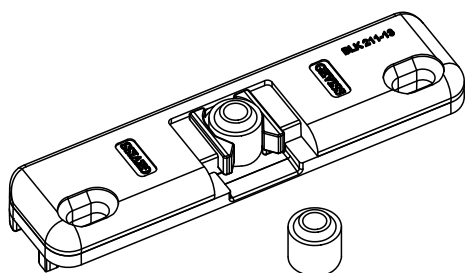


BLK 211-9

BALCONY CLIPS - 9 AXIS

2

100



PRODUCT CODE

EXPLANATION

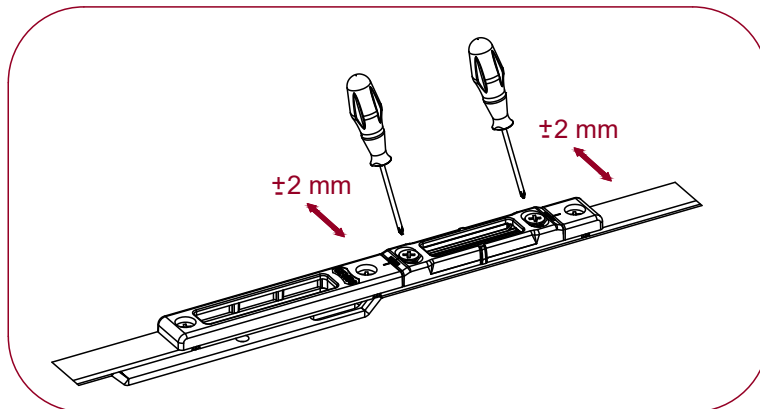
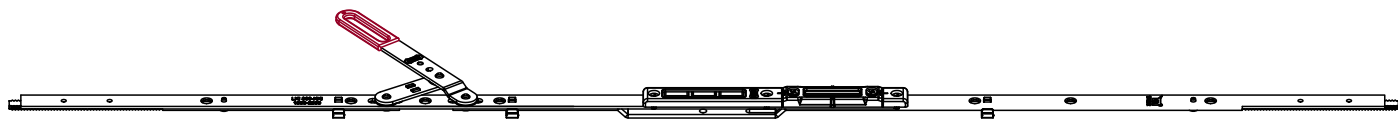


BLK 211-13

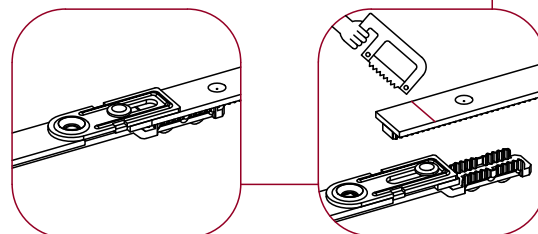
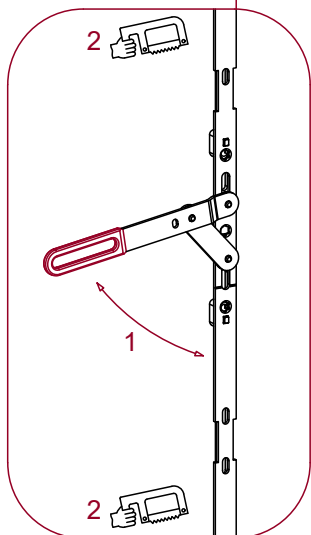
BALCONY CLIPS - 13 AXIS

2

100

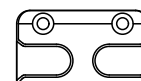


K.A



PRODUCT CODE

EXPLANATION



LKI 300-KKI

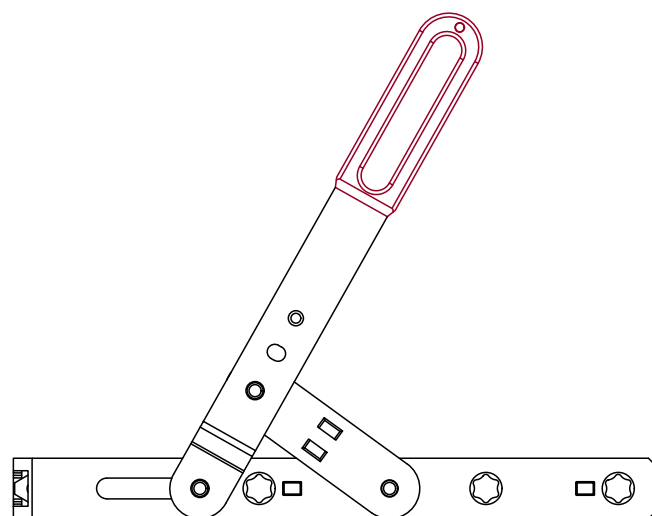
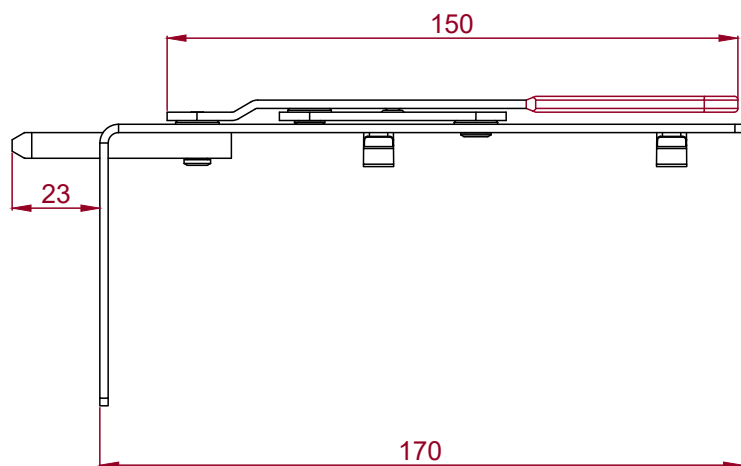
LEVYE KOLLU İSPANYOLET KİLİTLİ İSPANYOLET UYUMLU

1750-2250

4

7

10



PRODUCT CODE

EXPLANATION



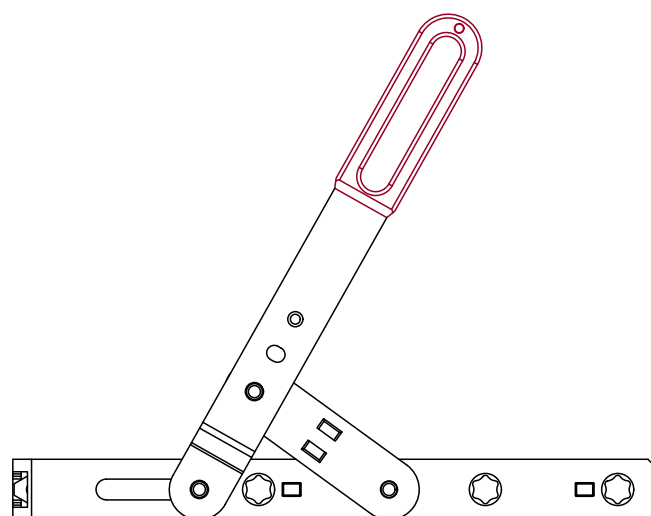
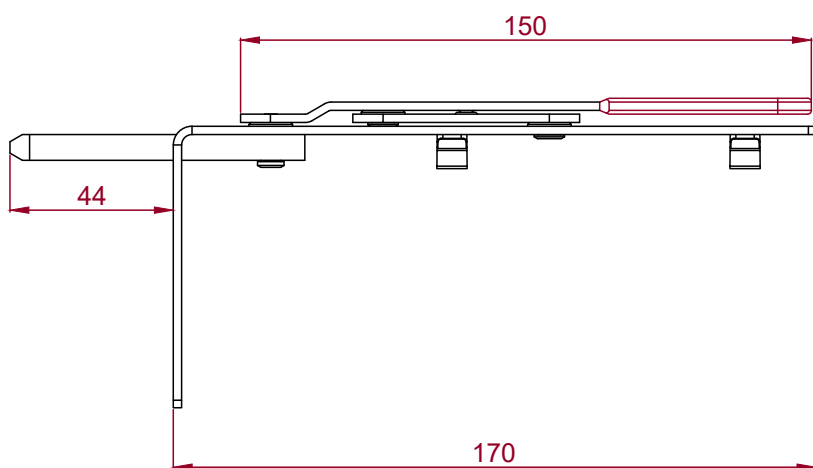
SRG-KP3

DOUBLE SASH DOOR BOLT

1

5

100



PRODUCT CODE

EXPLANATION



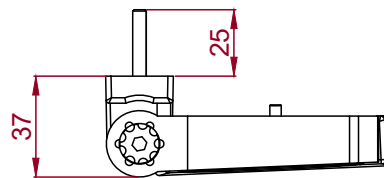
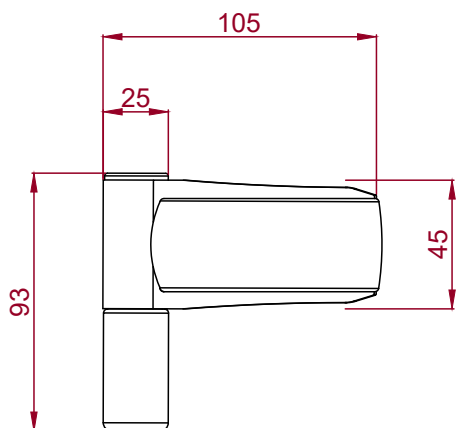
SRG-KP3/UP



DOUBLE SASH DOOR BOLT

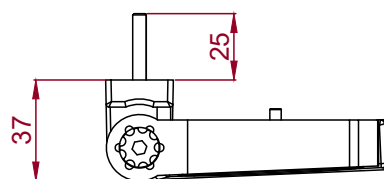
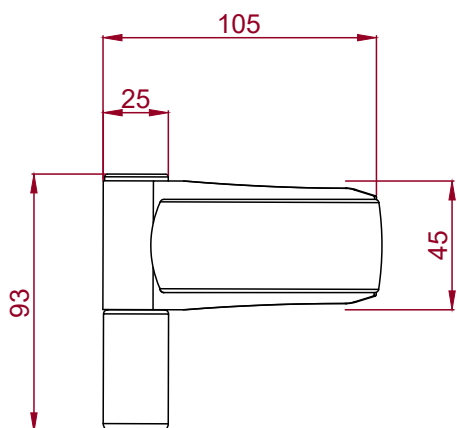
1



5

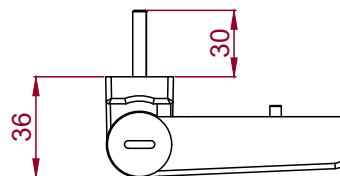
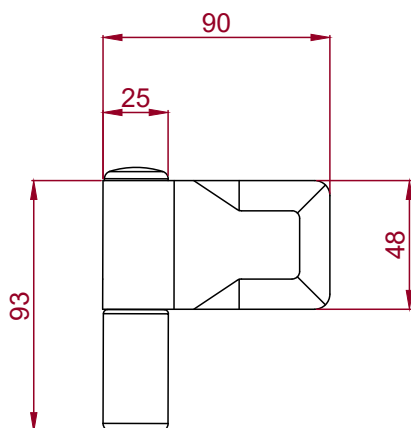
100



PRODUCT CODE	EXPLANATION	COLOR		
3DM 105.01	3D ADJUSTABLE HINGE ALUMINIUM	WHITE	8	24
3DM 105.02		GOLDEN OAK	8	24
3DM 105.03		DARK BROWN	8	24
3DM 105.RA		PRIVATE COLOR	8	24



PRODUCT CODE	EXPLANATION	COLOR		
3DM 108.01	3D ADJUSTABLE HINGE ZINC	WHITE	8	24
3DM 108.02		GOLDEN OAK	8	24
3DM 108.03		DARK BROWN	8	24
3DM 108.RA		PRIVATE COLOR	8	24





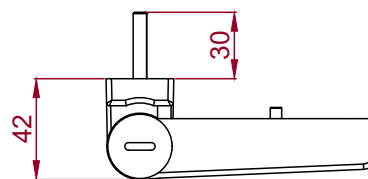
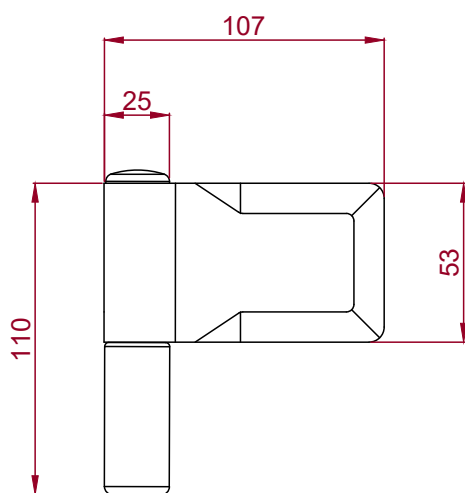
PRODUCT CODE

EXPLANATION

COLOR



PRODUCT CODE	EXPLANATION	COLOR		
3DM MN.01	3D ADJUSTABLE HINGE ZINC	WHITE	8	24
3DM MN.02		GOLDEN OAK	8	24
3DM MN.03		DARK BROWN	8	24
3DM MN.RA		PRIVATE COLOR	8	24





PRODUCT CODE

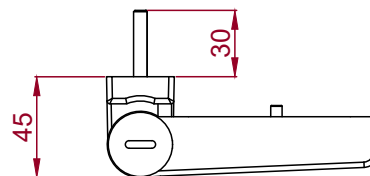
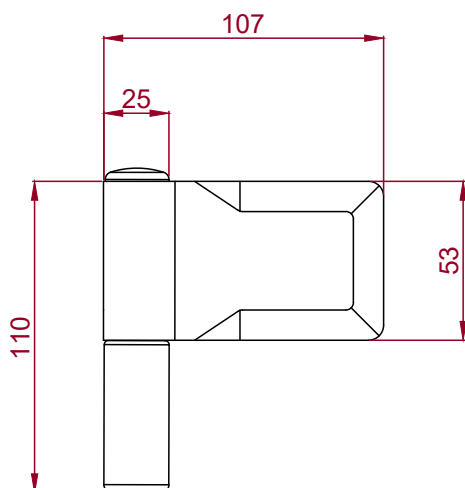
EXPLANATION



COLOR

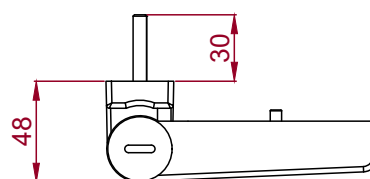
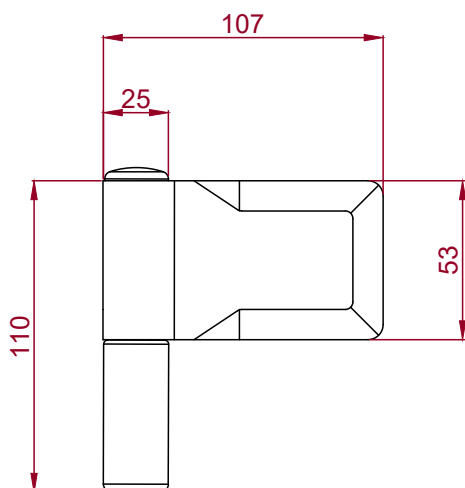




PRODUCT CODE	EXPLANATION	COLOR		
3DM 160-16/19.01	3D ADJUSTABLE HINGE ZINC	WHITE	8	18
3DM 160-16/19.02		GOLDEN OAK	8	18
3DM 160-16/19.03		DARK BROWN	8	18
3DM 160-16/19.RA		PRIVATE COLOR	8	18

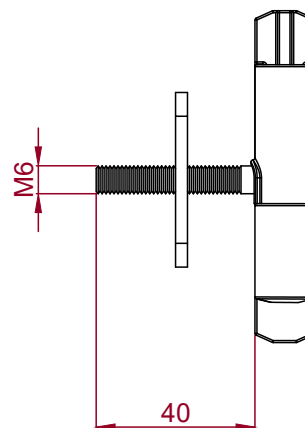
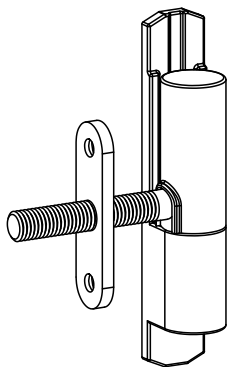
160 KG
16/19 MM



PRODUCT CODE	EXPLANATION	COLOR		
3DM 160-19/22.01	3D ADJUSTABLE HINGE ZINC 160 KG 19/22 MM	WHITE	8	18
3DM 160-19/22.02		GOLDEN OAK	8	18
3DM 160-19/22.03		DARK BROWN	8	18
3DM 160-19/22.RA		PRIVATE COLOR	8	18



PRODUCT CODE	EXPLANATION	COLOR		
3DM 160-22/25.01	3D ADJUSTABLE HINGE ZINC 160 KG 22/25 MM	WHITE	8	18
3DM 160-22/25.02		GOLDEN OAK	8	18
3DM 160-22/25.03		DARK BROWN	8	18
3DM 160-22/25.RA		PRIVATE COLOR	8	18



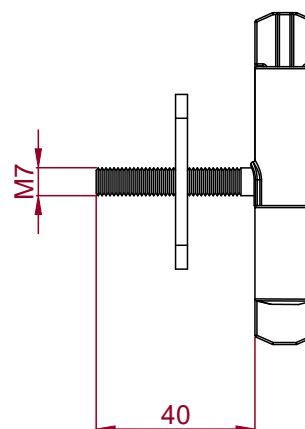
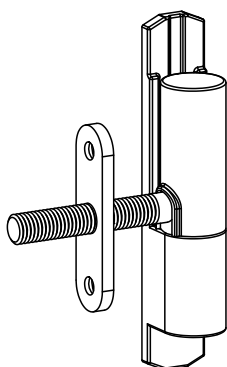
PRODUCT CODE

EXPLANATION

COLOR



PRODUCT CODE	EXPLANATION	COLOR		
PIM6 01	PIPO M6 HINGE	WHITE	4	250
PIM6 02		GOLDEN OAK	4	250
PIM6 03		DARK BROWN	4	250
PIM6 04		METALIC SILVER	4	250
PIM6 RA		PRIVATE COLOR	4	250



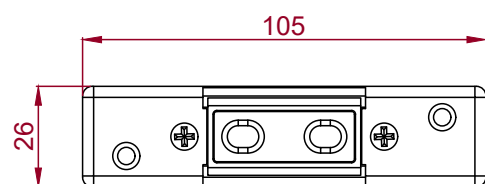
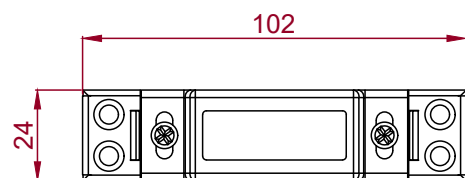
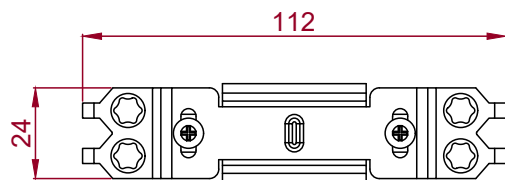
PRODUCT CODE

EXPLANATION

COLOR



PRODUCT CODE	EXPLANATION	COLOR		
PIM7 01	PIPO M7 HINGE	WHITE	4	250
PIM7 02		GOLDEN OAK	4	250
PIM7 03		DARK BROWN	4	250
PIM7 04		METALIC SILVER	4	250
PIM7 RA		PRIVATE COLOR	4	250

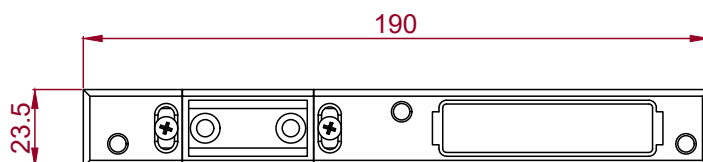
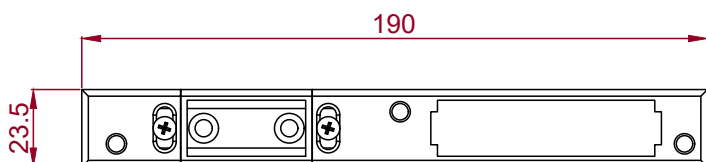
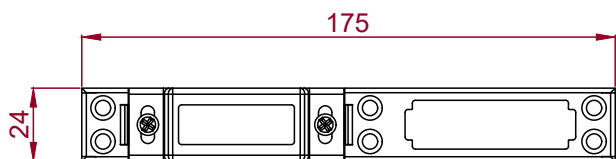
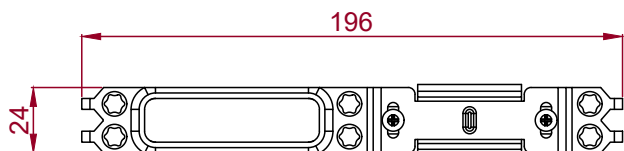


PRODUCT CODE

EXPLANATION



PRODUCT CODE	EXPLANATION	Screw	Box
KIK 01-M	ADJUSTABLE LOCKING PLATE - SHORT	4	250
KIK 01-S		4	300
KIK 01		2	300

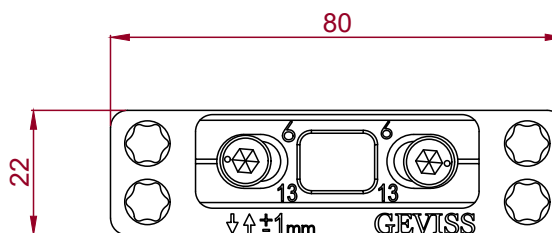
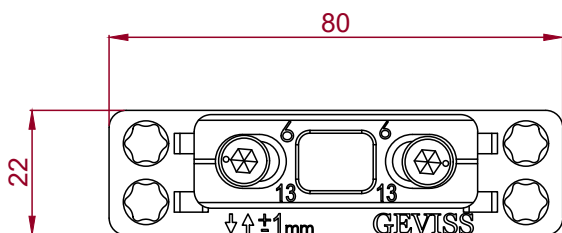
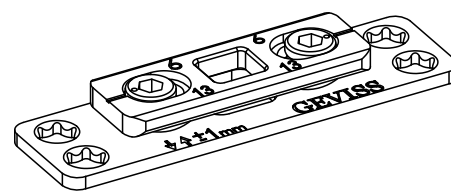
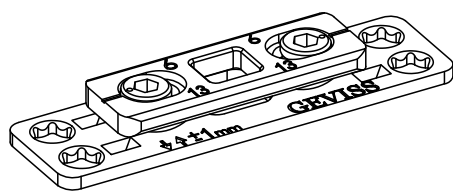




PRODUCT CODE

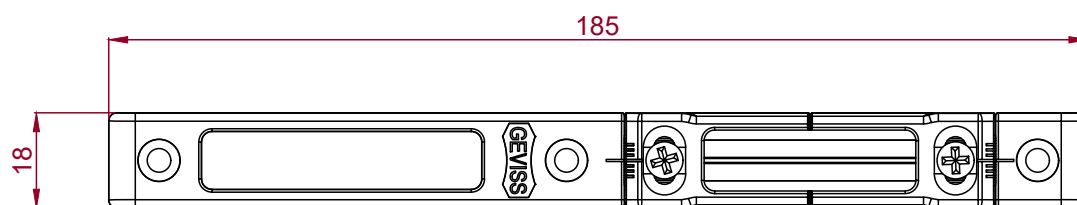
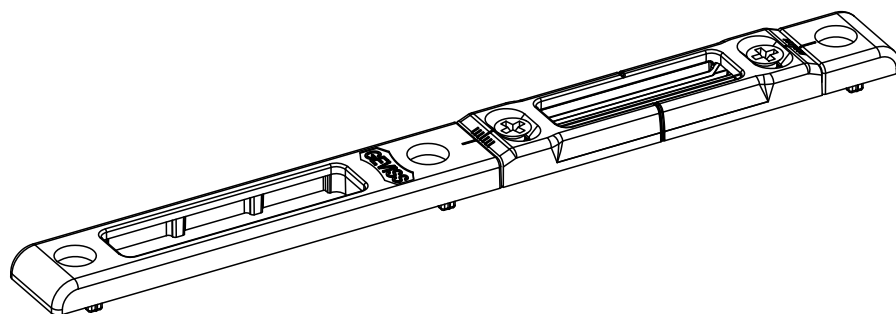
EXPLANATION



PRODUCT CODE	EXPLANATION	Screw	Box
KIK 02-M	ADJUSTABLE LOCKING PLATE - LONG	6	200
KIK 02-S		6	200
KIK 02		3	250
KIK 02P	ADJUSTABLE LOCKING PLATE - LONG WITH PLASTIC	3	200

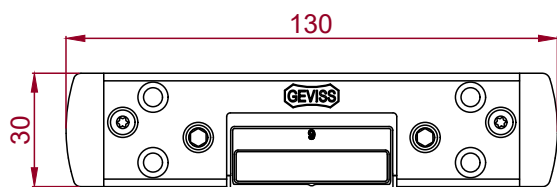
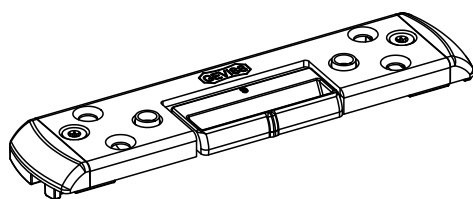


PRODUCT CODE	EXPLANATION		
CSK-S03B	ADJUSTABLE STRIKER FOR DOOR BOLT (METAL)	4	100
CSK-S04B	ADJUSTABLE LOCKING BOLT STRIKER (METAL) - WITHOUT NAIL	4	100

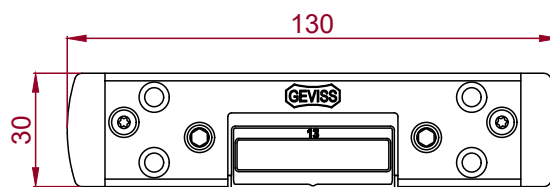
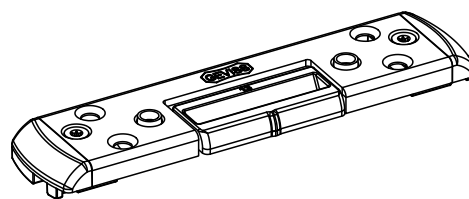


PRODUCT CODE	EXPLANATION		
CKK-02	DOUBLE SASH LOCKABLE ESPAGNOLETTE STRIKER	3	100

9 AKS



13 AKS



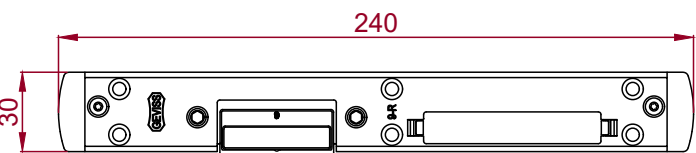
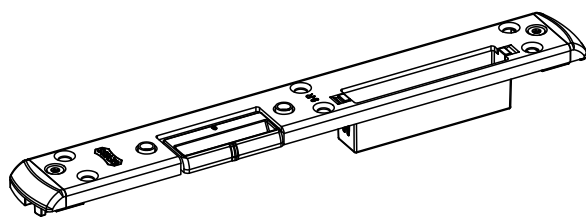
PRODUCT CODE

EXPLANATION

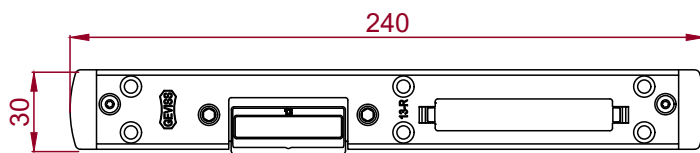
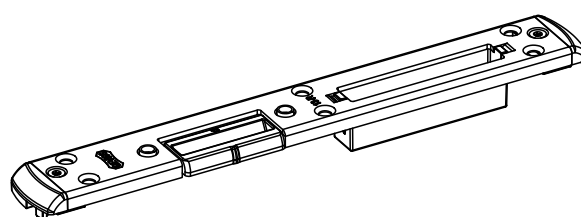


KK.130.LX-9	ADJUSTABLE LOCKING PLATE - SHORT - 9 AXIS	4	100
KK.130.LX-13	ADJUSTABLE LOCKING PLATE - SHORT - 13 AXIS	4	100

9 AKS



13 AKS

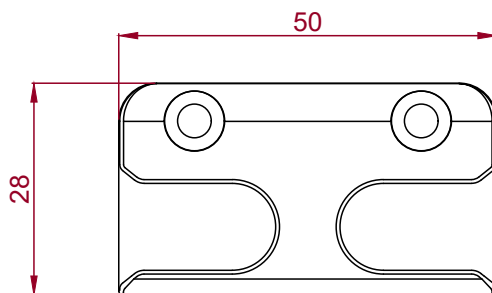
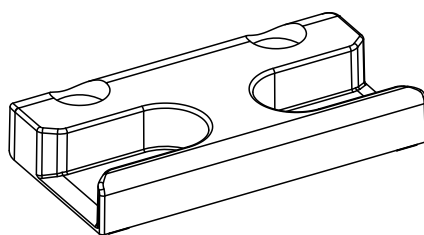


PRODUCT CODE

EXPLANATION



KK.240.LX-L9	ADJUSTABLE LOCKING PLATE - LONG - 9L AXIS	4	100
KK.240.LX-R9	ADJUSTABLE LOCKING PLATE - LONG - 9R AXIS	4	100
KK.240.LX-L13	ADJUSTABLE LOCKING PLATE - LONG - 13L AXIS	4	100
KK.240.LX-R13	ADJUSTABLE LOCKING PLATE - LONG - 13R AXIS	4	100



PRODUCT CODE

EXPLANATION

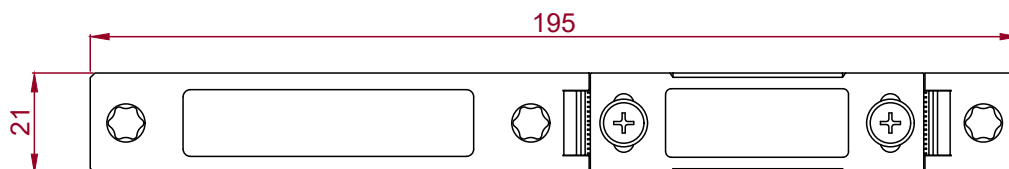
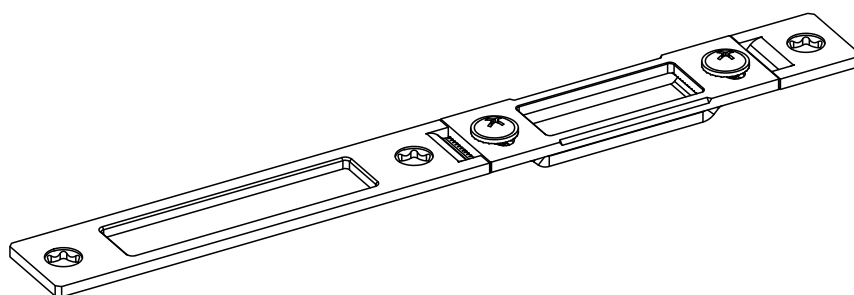


LPK 415

DOUBLE SASH ESP. WITH HANDLE (SUITABLE FOR LOCKABLE DOOR ESP.)

2

100



PRODUCT CODE

EXPLANATION

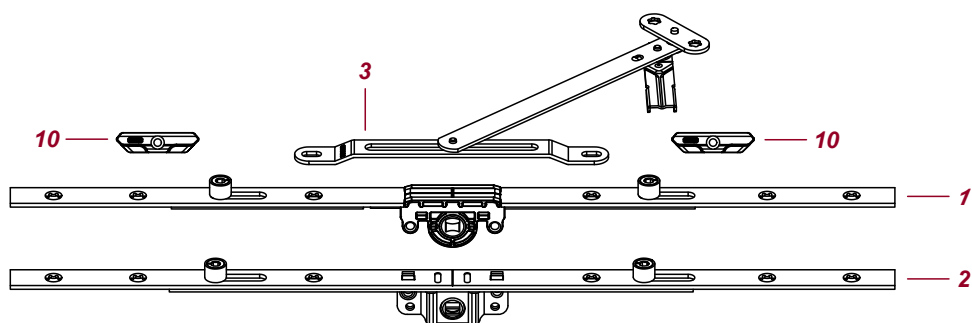



ALM-KK

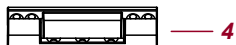
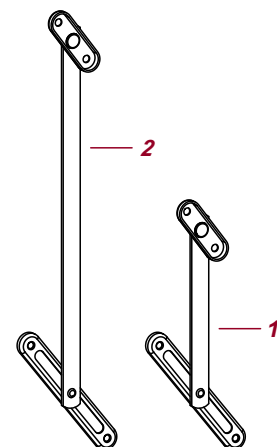
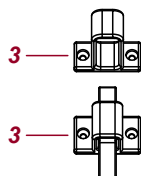
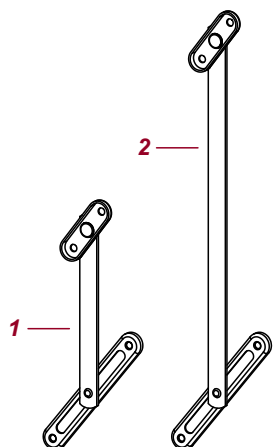
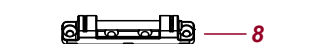
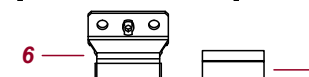
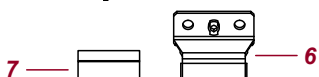
ADJUSTABLE DOOR LOCK STRIKER


2

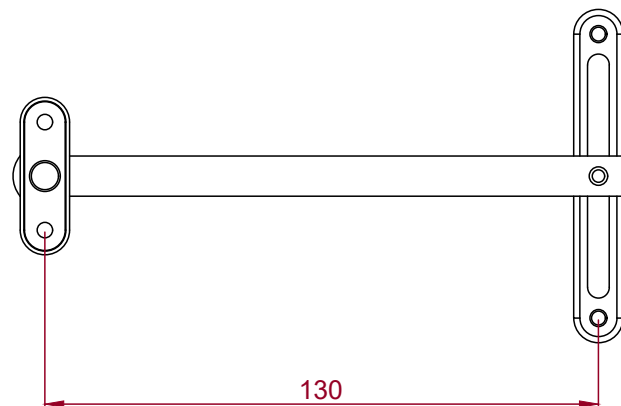
100





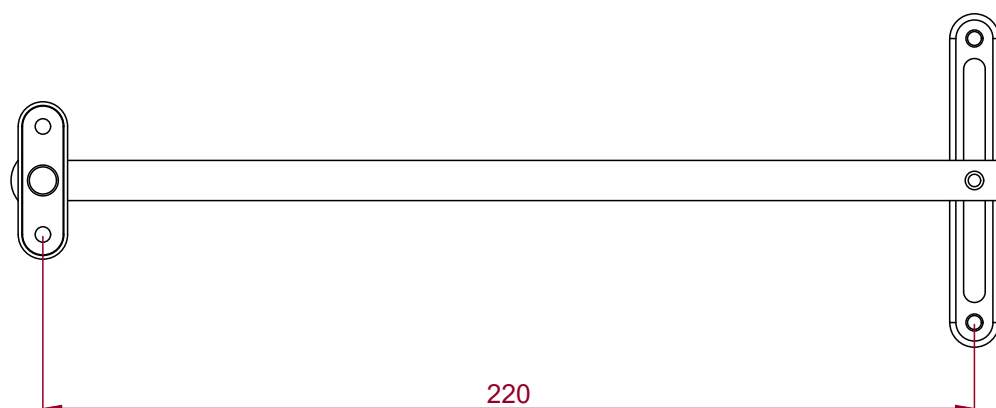
NR	EXPLANATION	APPLICABLE SIZES		PRODUCT CODE
1	SIDE HUNG ESPAGNOLETTE ZINC HOUSING <i>KYO-ZG 15.5</i>	250 - 400	2	ISP Z300
		400 - 600	2	ISP Z400
		600 - 800	2	ISP Z600
		800 - 1000	2	ISP Z800
		1000 - 1200	3	ISP Z1000
		1200 - 1400	3	ISP Z1200
		1400 - 1600	4	ISP Z1400
		1600 - 1800	4	ISP Z1600
		1800 - 2000	4	ISP Z1800
		2000 - 2200	4	ISP Z2000
2	SIDE HUNG ESPAGNOLETTE METAL HOUSING <i>KYO-MG 15.5</i>	250 - 400	2	ISP M300
		400 - 600	2	ISP M400
		600 - 800	2	ISP M600
		800 - 1000	2	ISP M800
		1000 - 1200	3	ISP M1000
		1200 - 1400	3	ISP M1200
		1400 - 1600	4	ISP M1400
		1600 - 1800	4	ISP M1600
		1800 - 2000	4	ISP M1800
		2000 - 2200	4	ISP M2000
3	TRANSFORM SCISSOR			VMK 504
4	ADJUSTABLE MIDDLE HINGE			ORM 208
5	MIDDLE HINGE			OMA 308
6	T&T STAY HINGES	9/20 mm 13/20 mm		KNM 737-9 KNM 737-13
7	SASH HINGE COVER			PK KNM
8	T&T STAY ARM BEARING			KSM 720
9	FRAME HINGE COVER			PK KSMN
10	PIN STRIKER	9/20 mm		KK 350-9
		13/20 mm		KK 360-13





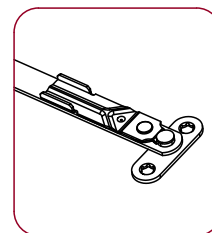
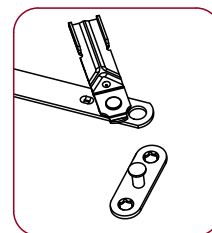
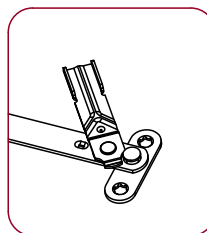
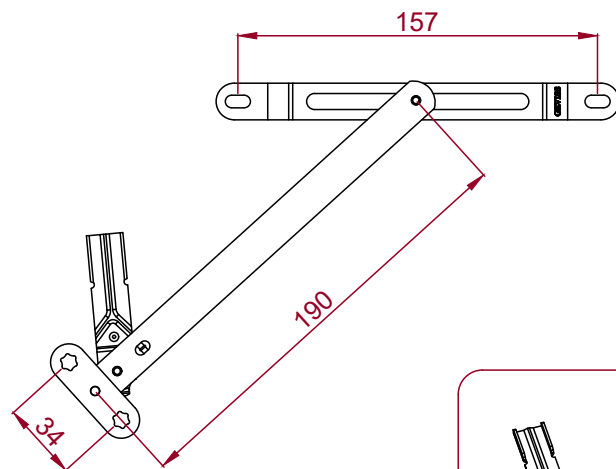
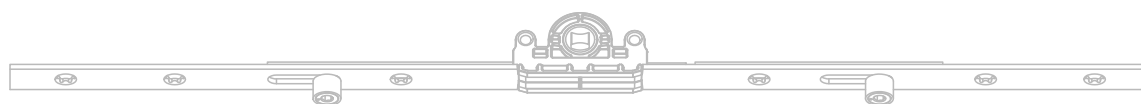
NR	EXPLANATION	SASH REBATE HEIGHT		PRODUCT CODE
1	TRANSFORM SCISSOR - 130 MM			VMK 13
2	TRANSFORM SCISSOR - 22 MM			VMK 22
3	TRANSFORM WINDOW STRIKER			VAC 01
4	90 MM STEEL HINGE WITH PLASTIC COVERING			PME 90



PRODUCT CODE	EXPLANATION	COLOR		
VMK 13-01	TRANSORM SCISSOR - 130 MM	WHITE	4	300
VMK 13-02		GOLDEN OAK	4	300
VMK 13-03		DARK BROWN	4	300
VMK 13-RA		PRIVATE COLOR	4	300



PRODUCT CODE	EXPLANATION	COLOR		
VMK 22-01	TRANSORM SCISSOR - 220 MM	WHITE	4	250
VMK 22-02		GOLDEN OAK	4	250
VMK 22-03		DARK BROWN	4	250
VMK 22-RA		PRIVATE COLOR	4	250

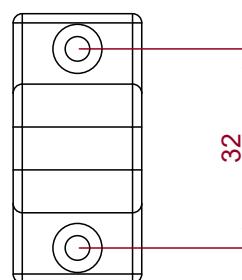
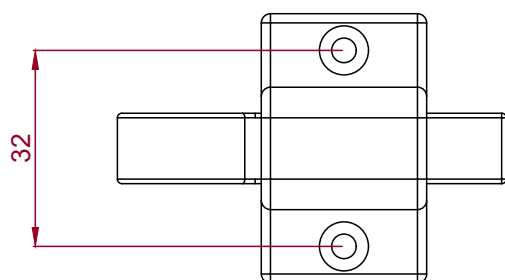


PRODUCT CODE

EXPLANATION



PRODUCT CODE	EXPLANATION	Screw	Box
VMK 504	TRANSORM SCISSOR	3	100

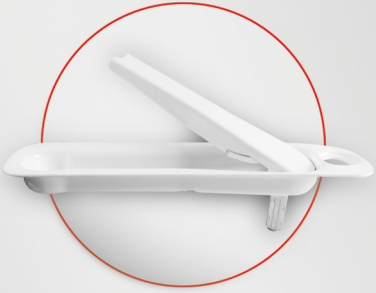
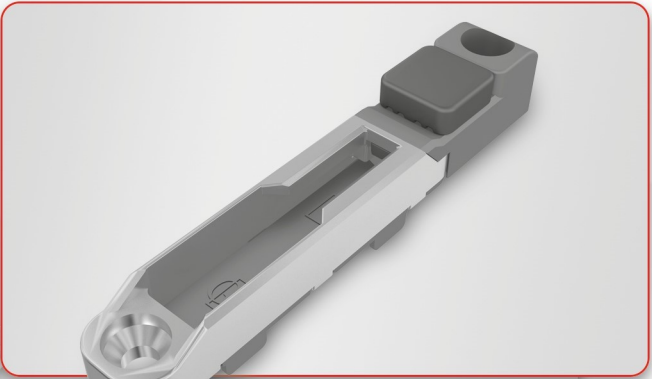
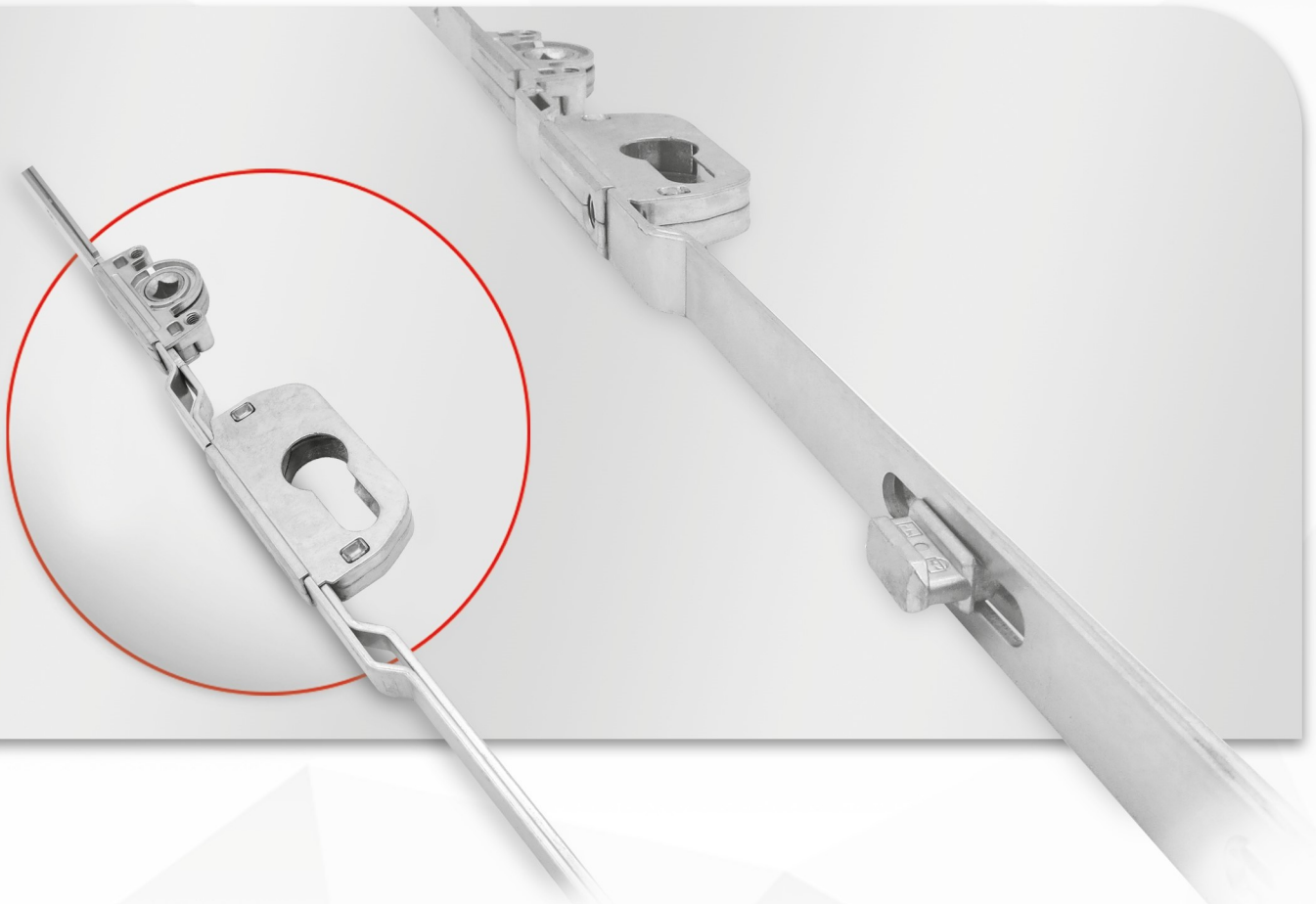


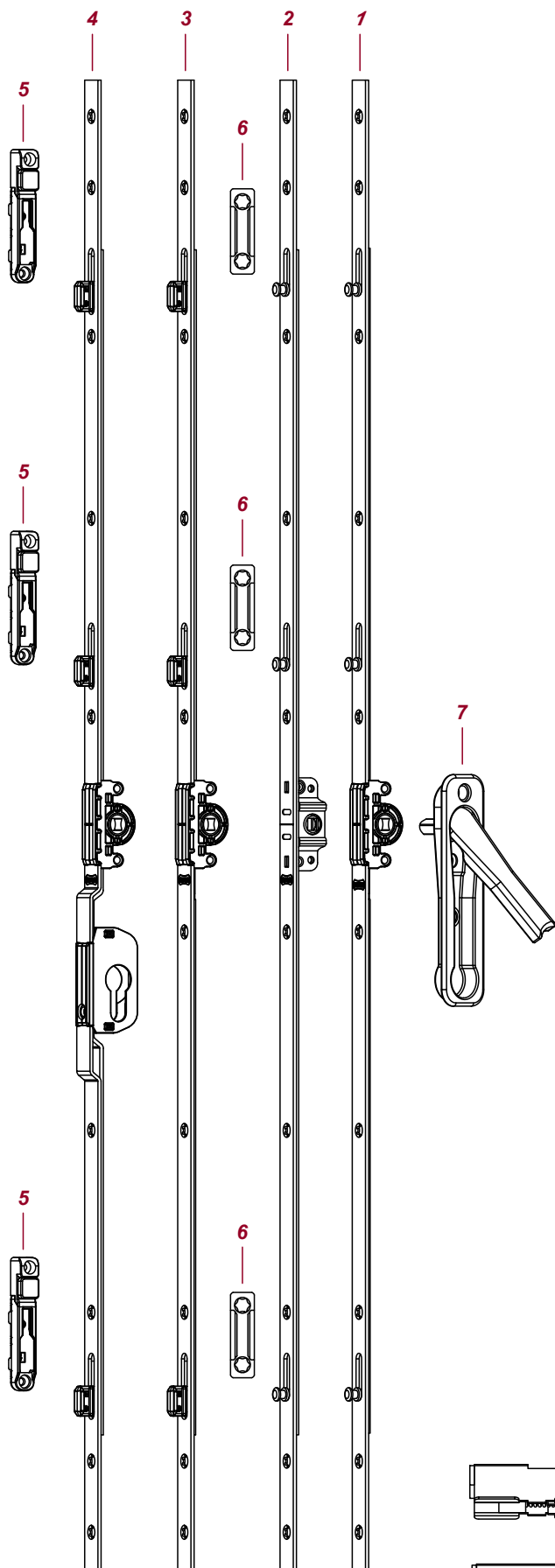
PRODUCT CODE


EXPLANATION

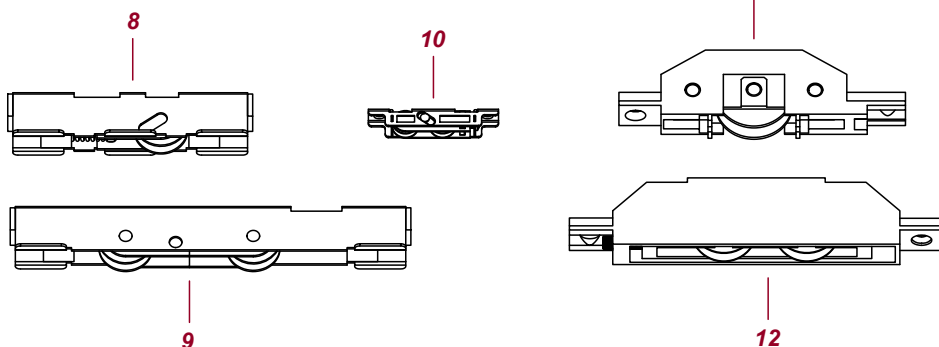


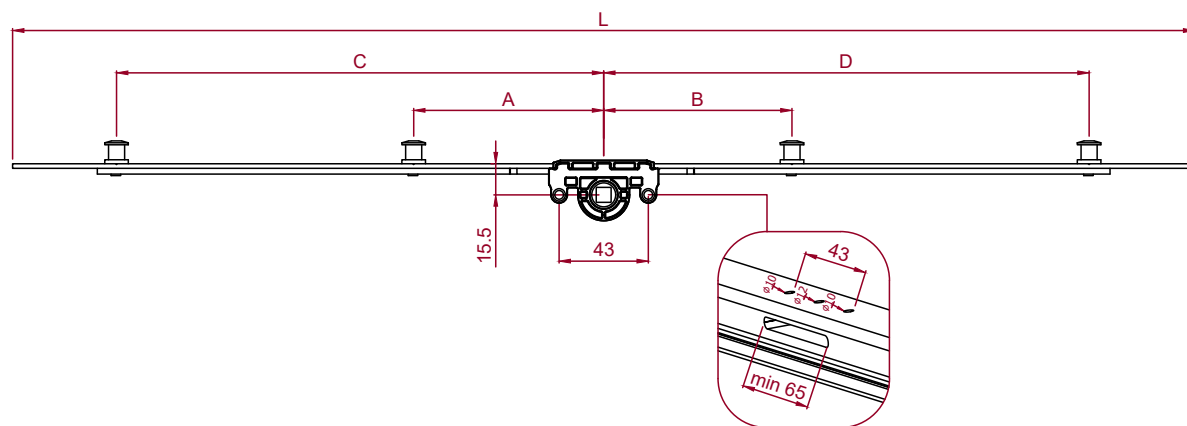
PRODUCT CODE	EXPLANATION	Screw	Box
VAC 01	TRANSORM WINDOW STRIKER	4	800





NR	EXPLANATION	APPLICABLE SIZES		PRODUCT CODE
1	SLIDING ESPAGNOLETTE ZINC HOUSING KYO-ZG 15.5	250 - 400	2	ISP Z300-SUR/15
		400 - 600	2	ISP Z400-SUR/15
		600 - 800	2	ISP Z600-SUR/15
		800 - 1000	2	ISP Z800-SUR/15
		1000 - 1200	3	ISP Z1000-SUR/15
		1200 - 1400	3	ISP Z1200-SUR/15
		1400 - 1600	4	ISP Z1400-SUR/15
		1600 - 1800	4	ISP Z1600-SUR/15
		1800 - 2000	4	ISP Z1800-SUR/15
		2000 - 2200	4	ISP Z2000-SUR/15
2	SLIDING ESPAGNOLETTE METAL HOUSING KYO-MG 15.5	250 - 400	2	ISP M300-SUR/15
		400 - 600	2	ISP M400-SUR/15
		600 - 800	2	ISP M600-SUR/15
		800 - 1000	2	ISP M800-SUR/15
		1000 - 1200	3	ISP M1000-SUR/15
		1200 - 1400	3	ISP M1200-SUR/15
		1400 - 1600	4	ISP M1400-SUR/15
		1600 - 1800	4	ISP M1600-SUR/15
		1800 - 2000	4	ISP M1800-SUR/15
		2000 - 2200	4	ISP M2000-SUR/15
3	SLIDING ESPAGNOLETTE ZINC HOUSING WITH ZINC PIN KYO-ZG 15.5	250 - 400	2	ISP Z300-ZSUR/15
		400 - 600	2	ISP Z400-ZSUR/15
		600 - 800	2	ISP Z600-ZSUR/15
		800 - 1000	2	ISP Z800-ZSUR/15
		1000 - 1200	3	ISP Z1000-ZSUR/15
		1200 - 1400	3	ISP Z1200-ZSUR/15
		1400 - 1600	4	ISP Z1400-ZSUR/15
		1600 - 1800	4	ISP Z1600-ZSUR/15
		1800 - 2000	4	ISP Z1800-ZSUR/15
		2000 - 2200	4	ISP Z2000-ZSUR/15
4	LOCKABLE SLIDING ESPAGNOLETTE ZINC PIN	1600 - 1800	4	ISP BRL 1600/SUR-ZP
		1800 - 2000	4	ISP BRL 1800/SUR-ZP
		2000 - 2200	4	ISP BRL 2000/SUR-ZP
5	ZINC SLIDING STRIKER			SRK Z100
6	SLIDING ESPAGNOLETTE STRIKER			ISK 01
				ISK 02
7	SLIDING HANDLE	ZINC		GZK 01
		ALUMINIUM		GAK 01
		METAL		GSK 01
8	SLIDING WHEEL	BRASS		G.STS.IPLY
		POLYAMID		G.STS.PLY
9	SLIDING DOUBLE WHEEL	BRASS		G.BCS.PRN
		POLYAMID		G.BCS.PLY
10	MINI METAL DOUBLE ROLLER CHROME			G.CST.KRM
11	SLIDING WHEEL	BRASS		G.BST.PRN
		POLYAMID		G.BST.PLY
12	SLIDING DOUBLE WHEEL			G.SRL.TK





PRODUCT CODE

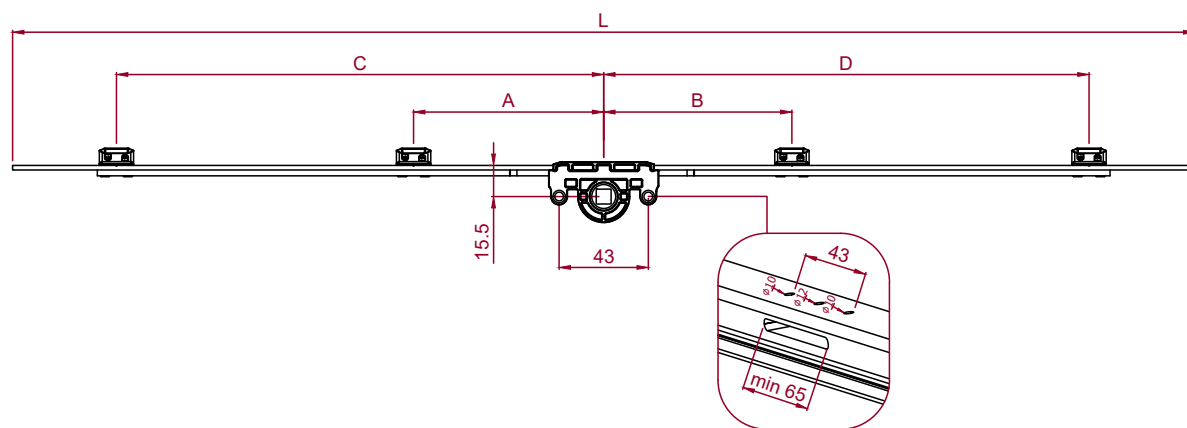
EXPLANATION



L (mm) **A** (mm) **B** (mm) **C** (mm) **D** (mm)



PRODUCT CODE	EXPLANATION	L (mm)	A (mm)	B (mm)	C (mm)	D (mm)	Roller	Screw	Box	
ISP Z300/SUR	SLIDING ESPAGNOLETTE ZINC HOUSING	250-400	250	-	-	73	55	2	2	20
ISP Z400/SUR		400-600	400	-	-	136	118	2	4	20
ISP Z600/SUR		600-800	600	-	-	193	175	2	6	20
ISP Z800/SUR		800-1000	800	-	-	293	275	2	6	20
ISP Z1000/SUR		1000-1200	1000	-	151	393	375	3	8	20
ISP Z1200/SUR		1200-1400	1200	-	151	493	475	3	8	20
ISP Z1400/SUR		1400-1600	1400	169	151	593	575	4	10	20
ISP Z1600/SUR		1600-1800	1600	234	216	693	675	4	12	20
ISP Z1800/SUR		1800-2000	1800	269	251	793	775	4	12	20
ISP Z2000/SUR		2000-2200	2000	289	271	893	875	4	12	20
ISP Z2200/SUR	KYO-ZG 15.5	2200-2400	2200	289	271	993	975	4	12	20



PRODUCT CODE

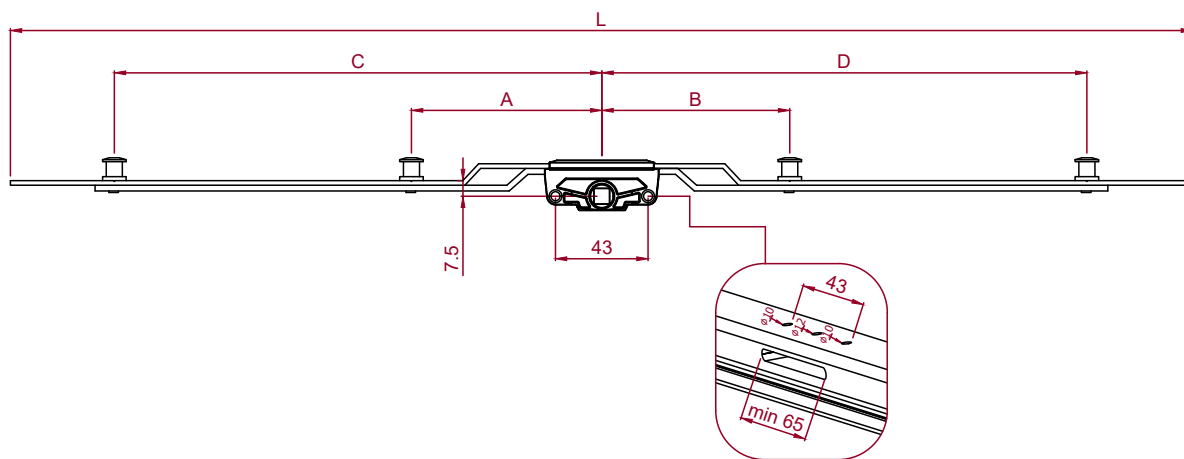
EXPLANATION



L (mm) **A** (mm) **B** (mm) **C** (mm) **D** (mm)



PRODUCT CODE	EXPLANATION	L (mm)	A (mm)	B (mm)	C (mm)	D (mm)	Roller	Screw	Box	
ISP Z300-ZSUR/15	SLIDING ESPAGNOLETTE ZINC HOUSING - ZINC PIVOT	250-400	250	-	-	73	55	2	2	20
ISP Z400-ZSUR/15		400-600	400	-	-	136	118	2	4	20
ISP Z600-ZSUR/15		600-800	600	-	-	193	175	2	6	20
ISP Z800-ZSUR/15		800-1000	800	-	-	293	275	2	6	20
ISP Z1000-ZSUR/15		1000-1200	1000	-	151	393	375	3	8	20
ISP Z1200-ZSUR/15		1200-1400	1200	-	151	493	475	3	8	20
ISP Z1400-ZSUR/15		1400-1600	1400	169	151	593	575	4	10	20
ISP Z1600-ZSUR/15		1600-1800	1600	234	216	693	675	4	12	20
ISP Z1800-ZSUR/15		1800-2000	1800	269	251	793	775	4	12	20
ISP Z2000-ZSUR/15		2000-2200	2000	289	271	893	875	4	12	20
ISP Z2200-ZSUR/15	KYO-ZG 15.5	2200-2400	2200	289	271	993	975	4	12	20



PRODUCT CODE

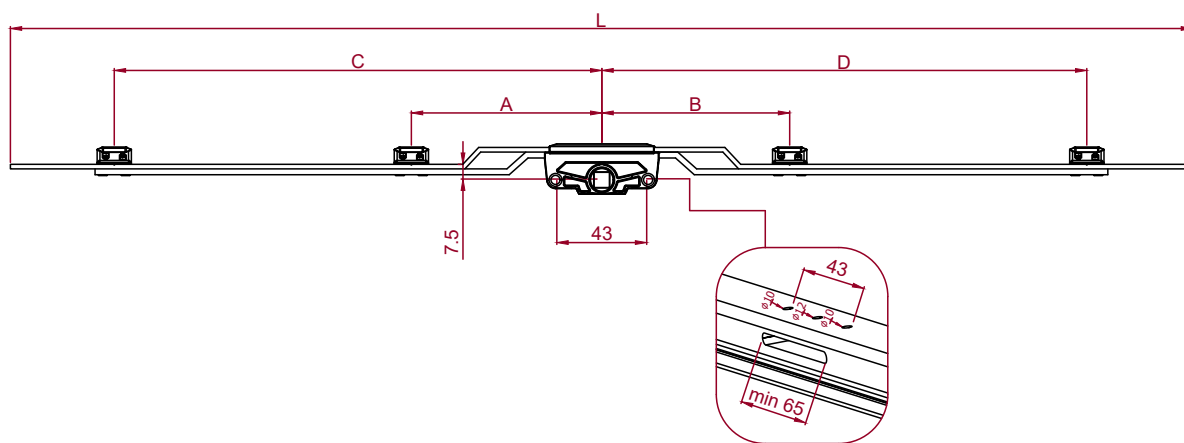
EXPLANATION



L (mm) **A** (mm) **B** (mm) **C** (mm) **D** (mm)



PRODUCT CODE	EXPLANATION	L (mm)	A (mm)	B (mm)	C (mm)	D (mm)				
ISP Z400/SUR-7.5	SLIDING ESPAGNOLETTE ZINC HOUSING	400-600	395	-	-	133	115	2	4	20
ISP Z600/SUR-7.5		600-800	595	-	-	190	172	2	6	20
ISP Z800/SUR-7.5		800-1000	795	-	-	290	272	2	6	20
ISP Z1000/SUR-7.5		1000-1200	995	-	148	390	372	3	8	20
ISP Z1200/SUR-7.5		1200-1400	1195	-	148	490	472	3	8	20
ISP Z1400/SUR-7.5		1400-1600	1395	166	148	590	572	4	10	20
ISP Z1600/SUR-7.5		1600-1800	1595	231	213	690	672	4	12	20
ISP Z1800/SUR-7.5		1800-2000	1795	266	248	790	772	4	12	20
ISP Z2000/SUR-7.5		2000-2200	1995	286	268	890	872	4	12	20
ISP Z2200/SUR-7.5		KYO-ZG 7.5	2200-2400	2195	286	268	990	972	4	12



PRODUCT CODE

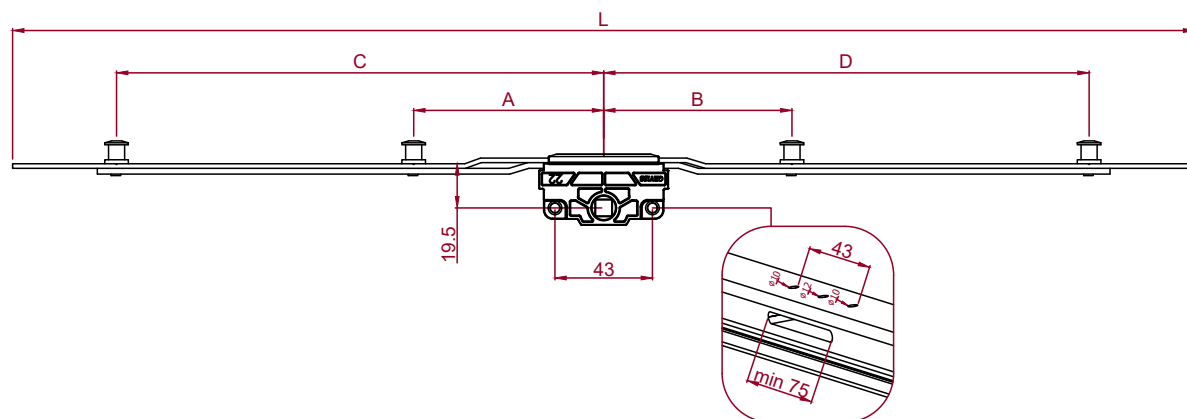
EXPLANATION



L (mm) **A** (mm) **B** (mm) **C** (mm) **D** (mm)



PRODUCT CODE	EXPLANATION	L (mm)	A (mm)	B (mm)	C (mm)	D (mm)				
ISP Z400-ZSUR/7.5	SLIDING ESPAGNOLETTE ZINC HOUSING - ZINC PIVOT	400-600	395	-	-	133	115	2	4	20
ISP Z600-ZSUR/7.5		600-800	595	-	-	190	172	2	6	20
ISP Z800-ZSUR/7.5		800-1000	795	-	-	290	272	2	6	20
ISP Z1000-ZSUR/7.5		1000-1200	995	-	148	390	372	3	8	20
ISP Z1200-ZSUR/7.5		1200-1400	1195	-	148	490	472	3	8	20
ISP Z1400-ZSUR/7.5		1400-1600	1395	166	148	590	572	4	10	20
ISP Z1600-ZSUR/7.5		1600-1800	1595	231	213	690	672	4	12	20
ISP Z1800-ZSUR/7.5		1800-2000	1795	266	248	790	772	4	12	20
ISP Z2000-ZSUR/7.5		2000-2200	1995	286	268	890	872	4	12	20
ISP Z2200-ZSUR/7.5		KYO-ZG 7.5	2200-2400	2195	286	268	990	972	4	12



PRODUCT CODE

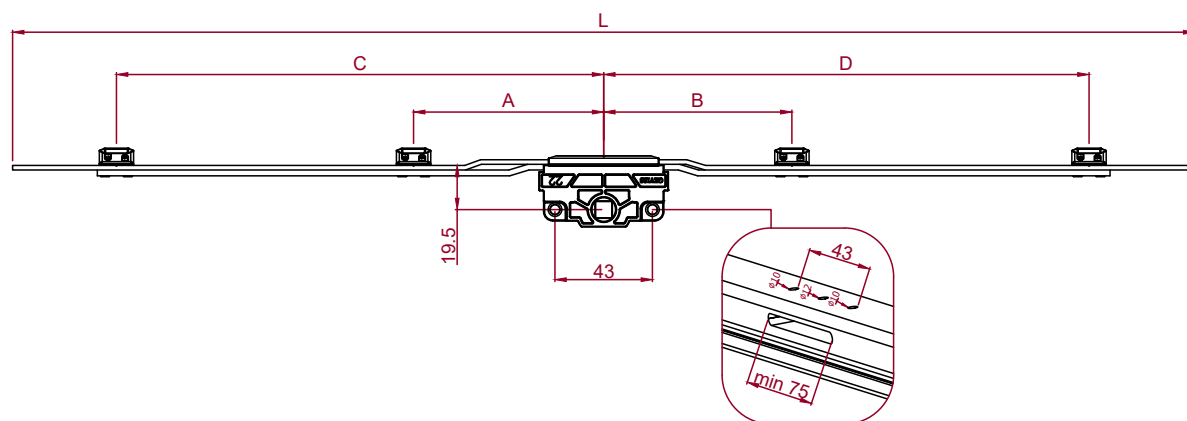
EXPLANATION



L (mm) **A** (mm) **B** (mm) **C** (mm) **D** (mm)



PRODUCT CODE	EXPLANATION	L (mm)	A (mm)	B (mm)	C (mm)	D (mm)	Roller	Screw	Box	
ISP Z400/SUR-19.5	SLIDING ESPAGNOLETTE ZINC HOUSING	400-600	400	-	-	136	118	2	4	20
ISP Z600/SUR-19.5		600-800	600	-	-	193	175	2	6	20
ISP Z800/SUR-19.5		800-1000	800	-	-	293	275	2	6	20
ISP Z1000/SUR-19.5		1000-1200	1000	-	151	393	375	3	8	20
ISP Z1200/SUR-19.5		1200-1400	1200	-	151	493	475	3	8	20
ISP Z1400/SUR-19.5		1400-1600	1400	169	151	593	575	4	10	20
ISP Z1600/SUR-19.5		1600-1800	1600	234	216	693	675	4	12	20
ISP Z1800/SUR-19.5		1800-2000	1800	269	251	793	775	4	12	20
ISP Z2000/SUR-19.5		2000-2200	2000	289	271	893	875	4	12	20
ISP Z2200/SUR-19.5		KYO-ZG 19.5	2200-2400	2200	289	271	993	975	4	12



PRODUCT CODE

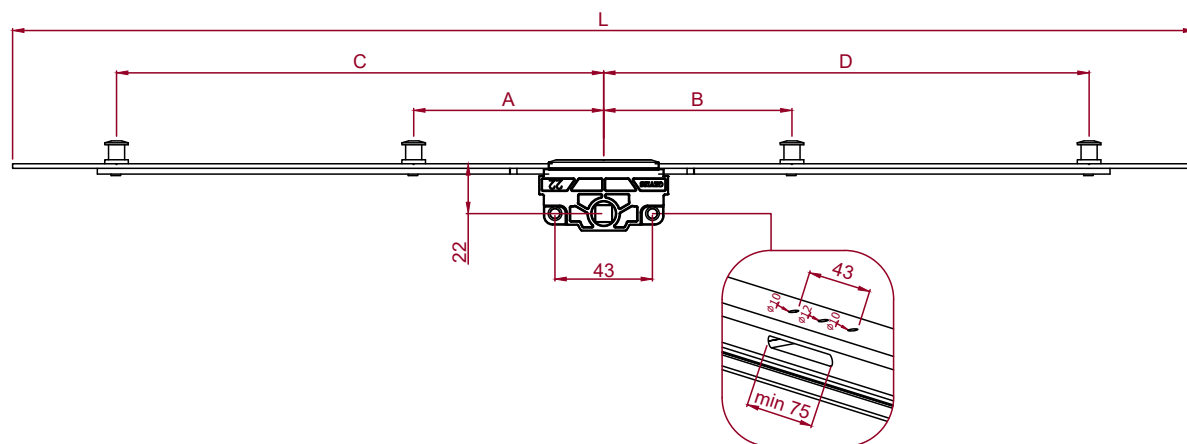
EXPLANATION



L (mm) **A** (mm) **B** (mm) **C** (mm) **D** (mm)



PRODUCT CODE	EXPLANATION	L (mm)	A (mm)	B (mm)	C (mm)	D (mm)	Roller	Screw	Box	
ISP Z400-ZSUR/19.5	SLIDING ESPAGNOLETTE ZINC HOUSING - ZINC PIVOT	400-600	400	-	-	136	118	2	4	20
ISP Z600-ZSUR/19.5		600-800	600	-	-	193	175	2	6	20
ISP Z800-ZSUR/19.5		800-1000	800	-	-	293	275	2	6	20
ISP Z1000-ZSUR/19.5		1000-1200	1000	-	151	393	375	3	8	20
ISP Z1200-ZSUR/19.5		1200-1400	1200	-	151	493	475	3	8	20
ISP Z1400-ZSUR/19.5		1400-1600	1400	169	151	593	575	4	10	20
ISP Z1600-ZSUR/19.5		1600-1800	1600	234	216	693	675	4	12	20
ISP Z1800-ZSUR/19.5		1800-2000	1800	269	251	793	775	4	12	20
ISP Z2000-ZSUR/19.5		2000-2200	2000	289	271	893	875	4	12	20
ISP Z2200-ZSUR/19.5		KYO-ZG 19.5	2200-2400	2200	289	271	993	975	4	12



PRODUCT CODE

EXPLANATION

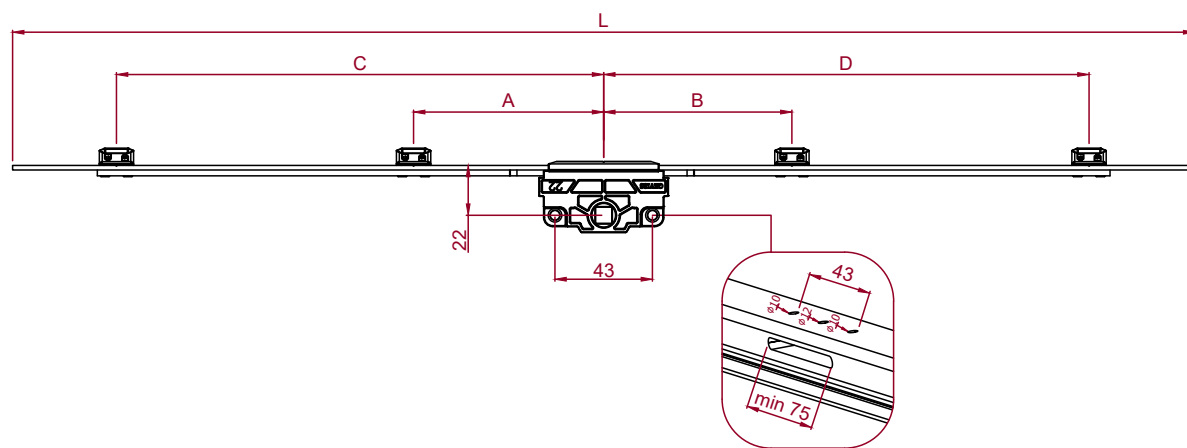
L (mm) **A** (mm) **B** (mm) **C** (mm) **D** (mm)



**SLIDING ESPAGNOLETTE
ZINC HOUSING**

KYO-ZG 22

ISP Z300/SUR-22	250-400	250	-	-	73	55	2	2	20
ISP Z400/SUR-22	400-600	400	-	-	136	118	2	4	20
ISP Z600/SUR-22	600-800	600	-	-	193	175	2	6	20
ISP Z800/SUR-22	800-1000	800	-	-	293	275	2	6	20
ISP Z1000/SUR-22	1000-1200	1000	-	151	393	375	3	8	20
ISP Z1200/SUR-22	1200-1400	1200	-	151	493	475	3	8	20
ISP Z1400/SUR-22	1400-1600	1400	169	151	593	575	4	10	20
ISP Z1600/SUR-22	1600-1800	1600	234	216	693	675	4	12	20
ISP Z1800/SUR-22	1800-2000	1800	269	251	793	775	4	12	20
ISP Z2000/SUR-22	2000-2200	2000	289	271	893	875	4	12	20
ISP Z2200/SUR-22	2200-2400	2200	289	271	993	975	4	12	20



PRODUCT CODE

EXPLANATION

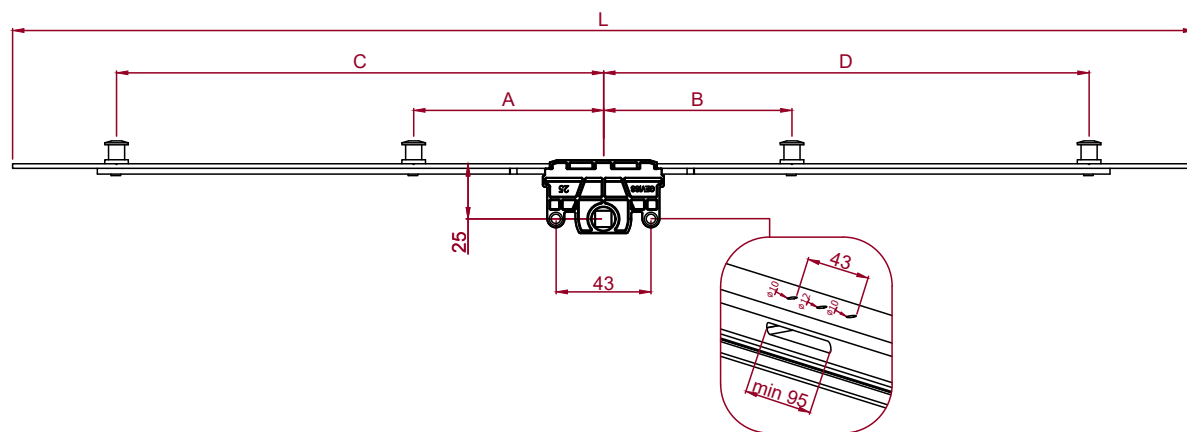
L (mm) **A** (mm) **B** (mm) **C** (mm) **D** (mm)



**SLIDING ESPAGNOLETTE
ZINC HOUSING - ZINC PIVOT**

KYO-ZG 22

ISP Z300-ZSUR/22	250-400	250	-	-	73	55	2	2	20
ISP Z400-ZSUR/22	400-600	400	-	-	136	118	2	4	20
ISP Z600-ZSUR/22	600-800	600	-	-	193	175	2	6	20
ISP Z800-ZSUR/22	800-1000	800	-	-	293	275	2	6	20
ISP Z1000-ZSUR/22	1000-1200	1000	-	151	393	375	3	8	20
ISP Z1200-ZSUR/22	1200-1400	1200	-	151	493	475	3	8	20
ISP Z1400-ZSUR/22	1400-1600	1400	169	151	593	575	4	10	20
ISP Z1600-ZSUR/22	1600-1800	1600	234	216	693	675	4	12	20
ISP Z1800-ZSUR/22	1800-2000	1800	269	251	793	775	4	12	20
ISP Z2000-ZSUR/22	2000-2200	2000	289	271	893	875	4	12	20
ISP Z2200-ZSUR/22	2200-2400	2200	289	271	993	975	4	12	20



PRODUCT CODE

EXPLANATION



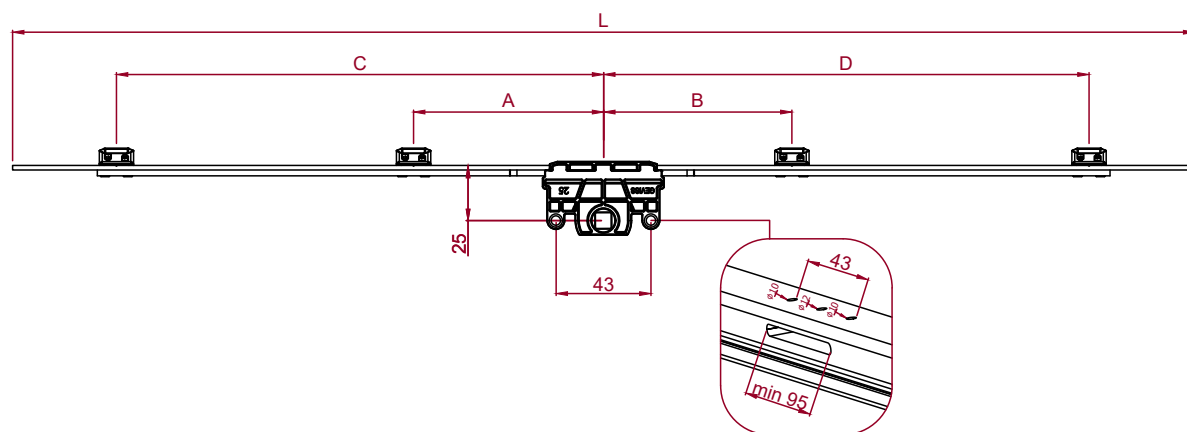
L (mm) **A** (mm) **B** (mm) **C** (mm) **D** (mm)



**SLIDING ESPAGNOLETTE
ZINC HOUSING**

KYO-ZG 25

PRODUCT CODE	EXPLANATION	L (mm)	A (mm)	B (mm)	C (mm)	D (mm)	Bracket	Screw	Box	
ISP Z300/SUR-25	SLIDING ESPAGNOLETTE ZINC HOUSING	250-400	250	-	-	73	55	2	2	15
ISP Z400/SUR-25		400-600	400	-	-	136	118	2	4	15
ISP Z600/SUR-25		600-800	600	-	-	193	175	2	6	15
ISP Z800/SUR-25		800-1000	800	-	-	293	275	2	6	15
ISP Z1000/SUR-25		1000-1200	1000	-	151	393	375	3	8	15
ISP Z1200/SUR-25		1200-1400	1200	-	151	493	475	3	8	15
ISP Z1400/SUR-25		1400-1600	1400	169	151	593	575	4	10	15
ISP Z1600/SUR-25		1600-1800	1600	234	216	693	675	4	12	15
ISP Z1800/SUR-25		1800-2000	1800	269	251	793	775	4	12	15
ISP Z2000/SUR-25		2000-2200	2000	289	271	893	875	4	12	15
ISP Z2200/SUR-25		2200-2400	2200	289	271	993	975	4	12	15



PRODUCT CODE

EXPLANATION



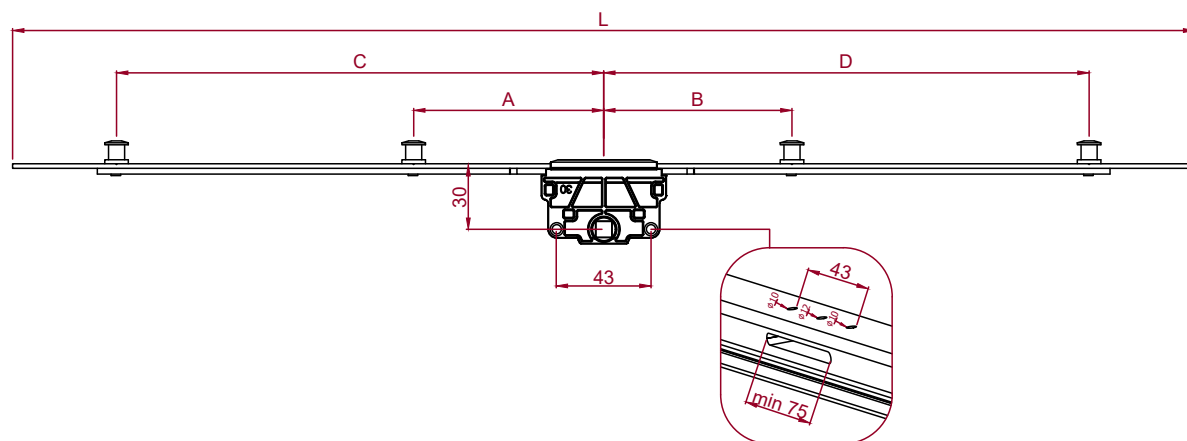
L (mm) **A** (mm) **B** (mm) **C** (mm) **D** (mm)



**SLIDING ESPAGNOLETTE
ZINC HOUSING - ZINC PIVOT**

KYO-ZG 25

PRODUCT CODE	EXPLANATION	L (mm)	A (mm)	B (mm)	C (mm)	D (mm)	Bracket	Screw	Box	
ISP Z300-ZSUR/25	SLIDING ESPAGNOLETTE ZINC HOUSING - ZINC PIVOT	250-400	250	-	-	73	55	2	2	15
ISP Z400-ZSUR/25		400-600	400	-	-	136	118	2	4	15
ISP Z600-ZSUR/25		600-800	600	-	-	193	175	2	6	15
ISP Z800-ZSUR/25		800-1000	800	-	-	293	275	2	6	15
ISP Z1000-ZSUR/25		1000-1200	1000	-	151	393	375	3	8	15
ISP Z1200-ZSUR/25		1200-1400	1200	-	151	493	475	3	8	15
ISP Z1400-ZSUR/25		1400-1600	1400	169	151	593	575	4	10	15
ISP Z1600-ZSUR/25		1600-1800	1600	234	216	693	675	4	12	15
ISP Z1800-ZSUR/25		1800-2000	1800	269	251	793	775	4	12	15
ISP Z2000-ZSUR/25		2000-2200	2000	289	271	893	875	4	12	15
ISP Z2200-ZSUR/25		2200-2400	2200	289	271	993	975	4	12	15



PRODUCT CODE

EXPLANATION



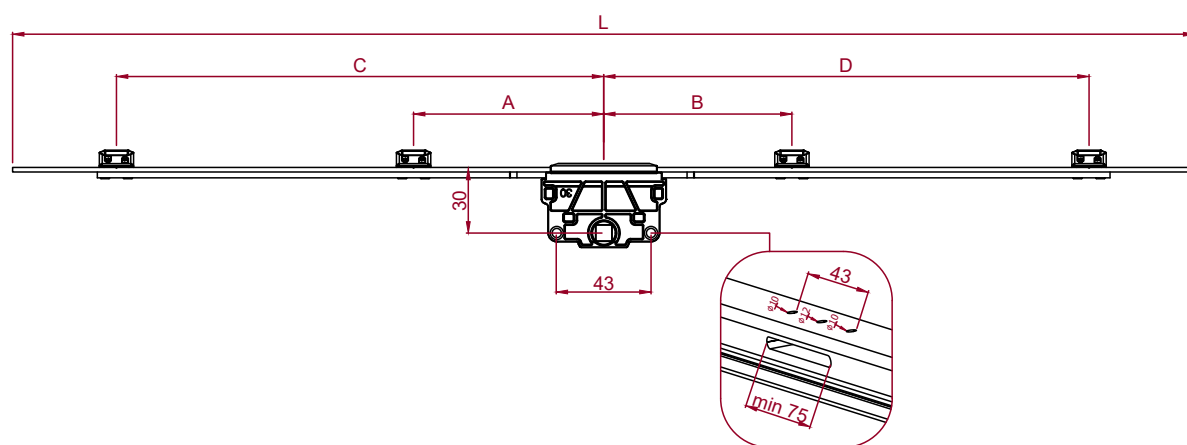
L (mm) **A** (mm) **B** (mm) **C** (mm) **D** (mm)



**SLIDING ESPAGNOLETTE
ZINC HOUSING**

KYO-ZG 30

PRODUCT CODE	EXPLANATION	L (mm)	A (mm)	B (mm)	C (mm)	D (mm)	Bracket	Screw	Box	
ISP Z300/SUR-30	SLIDING ESPAGNOLETTE ZINC HOUSING	250-400	250	-	-	73	55	2	2	15
ISP Z400/SUR-30		400-600	400	-	-	136	118	2	4	15
ISP Z600/SUR-30		600-800	600	-	-	193	175	2	6	15
ISP Z800/SUR-30		800-1000	800	-	-	293	275	2	6	15
ISP Z1000/SUR-30		1000-1200	1000	-	151	393	375	3	8	15
ISP Z1200/SUR-30		1200-1400	1200	-	151	493	475	3	8	15
ISP Z1400/SUR-30		1400-1600	1400	169	151	593	575	4	10	15
ISP Z1600/SUR-30		1600-1800	1600	234	216	693	675	4	12	15
ISP Z1800/SUR-30		1800-2000	1800	269	251	793	775	4	12	15
ISP Z2000/SUR-30		2000-2200	2000	289	271	893	875	4	12	15
ISP Z2200/SUR-30		2200-2400	2200	289	271	993	975	4	12	15



PRODUCT CODE

EXPLANATION



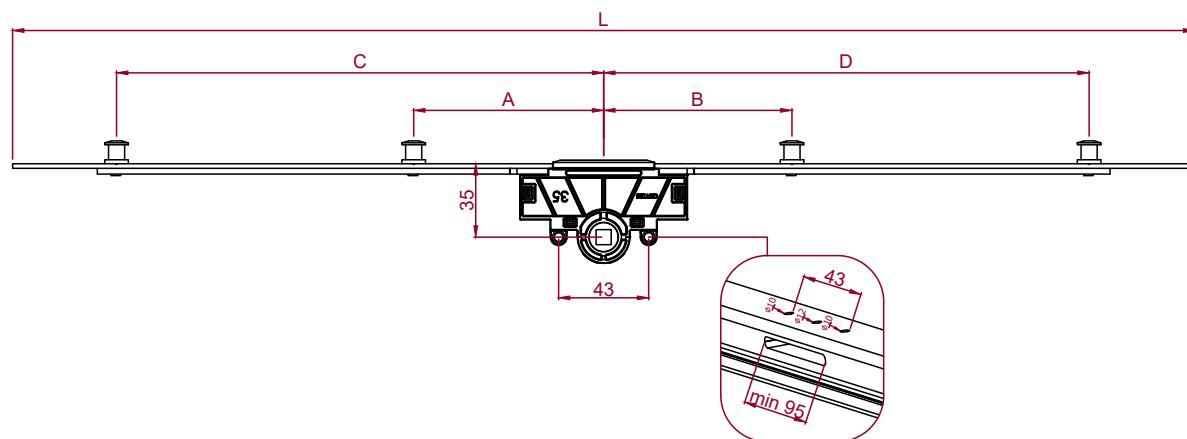
L (mm) **A** (mm) **B** (mm) **C** (mm) **D** (mm)



**SLIDING ESPAGNOLETTE
ZINC HOUSING - ZINC PIVOT**

KYO-ZG 30

PRODUCT CODE	EXPLANATION	L (mm)	A (mm)	B (mm)	C (mm)	D (mm)	Bracket	Screw	Box	
ISP Z300-ZSUR/30	SLIDING ESPAGNOLETTE ZINC HOUSING - ZINC PIVOT	250-400	250	-	-	73	55	2	2	15
ISP Z400-ZSUR/30		400-600	400	-	-	136	118	2	4	15
ISP Z600-ZSUR/30		600-800	600	-	-	193	175	2	6	15
ISP Z800-ZSUR/30		800-1000	800	-	-	293	275	2	6	15
ISP Z1000-ZSUR/30		1000-1200	1000	-	151	393	375	3	8	15
ISP Z1200-ZSUR/30		1200-1400	1200	-	151	493	475	3	8	15
ISP Z1400-ZSUR/30		1400-1600	1400	169	151	593	575	4	10	15
ISP Z1600-ZSUR/30		1600-1800	1600	234	216	693	675	4	12	15
ISP Z1800-ZSUR/30		1800-2000	1800	269	251	793	775	4	12	15
ISP Z2000-ZSUR/30		2000-2200	2000	289	271	893	875	4	12	15
ISP Z2200-ZSUR/30		2200-2400	2200	289	271	993	975	4	12	15



PRODUCT CODE

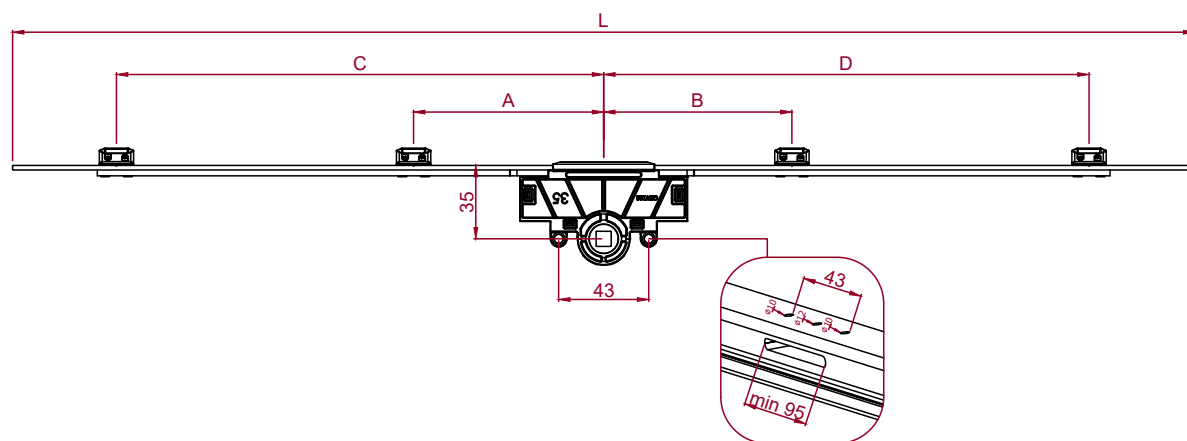
EXPLANATION



L (mm) **A** (mm) **B** (mm) **C** (mm) **D** (mm)



PRODUCT CODE	EXPLANATION	L (mm)	A (mm)	B (mm)	C (mm)	D (mm)	Bracket	Screw	Box	
ISP Z300/SUR-35	SLIDING ESPAGNOLETTE ZINC HOUSING	250-400	250	-	-	73	55	2	2	10
ISP Z400/SUR-35		400-600	400	-	-	136	118	2	4	10
ISP Z600/SUR-35		600-800	600	-	-	193	175	2	6	10
ISP Z800/SUR-35		800-1000	800	-	-	293	275	2	6	10
ISP Z1000/SUR-35		1000-1200	1000	-	151	393	375	3	8	10
ISP Z1200/SUR-35		1200-1400	1200	-	151	493	475	3	8	10
ISP Z1400/SUR-35		1400-1600	1400	169	151	593	575	4	10	10
ISP Z1600/SUR-35		1600-1800	1600	234	216	693	675	4	12	10
ISP Z1800/SUR-35		1800-2000	1800	269	251	793	775	4	12	10
ISP Z2000/SUR-35		2000-2200	2000	289	271	893	875	4	12	10
ISP Z2200/SUR-35		KYO-ZG 35	2200-2400	2200	289	271	993	975	4	12



PRODUCT CODE

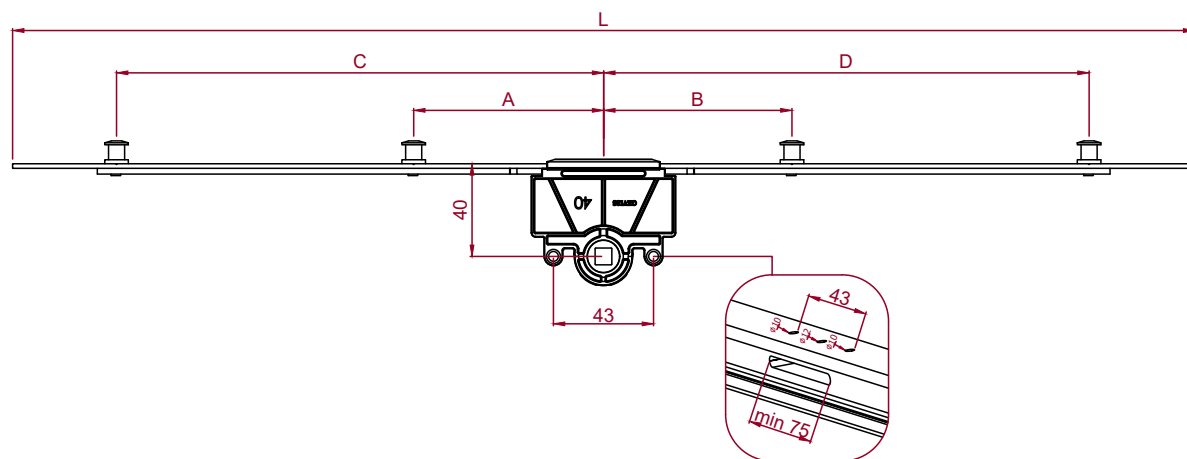
EXPLANATION



L (mm) **A** (mm) **B** (mm) **C** (mm) **D** (mm)



PRODUCT CODE	EXPLANATION	L (mm)	A (mm)	B (mm)	C (mm)	D (mm)	Bracket	Screw	Box	
ISP Z300-ZSUR/35	SLIDING ESPAGNOLETTE ZINC HOUSING - ZINC PIVOT	250-400	250	-	-	73	55	2	2	10
ISP Z400-ZSUR/35		400-600	400	-	-	136	118	2	4	10
ISP Z600-ZSUR/35		600-800	600	-	-	193	175	2	6	10
ISP Z800-ZSUR/35		800-1000	800	-	-	293	275	2	6	10
ISP Z1000-ZSUR/35		1000-1200	1000	-	151	393	375	3	8	10
ISP Z1200-ZSUR/35		1200-1400	1200	-	151	493	475	3	8	10
ISP Z1400-ZSUR/35		1400-1600	1400	169	151	593	575	4	10	10
ISP Z1600-ZSUR/35		1600-1800	1600	234	216	693	675	4	12	10
ISP Z1800-ZSUR/35		1800-2000	1800	269	251	793	775	4	12	10
ISP Z2000-ZSUR/35		2000-2200	2000	289	271	893	875	4	12	10
ISP Z2200-ZSUR/35		KYO-ZG 35	2200-2400	2200	289	271	993	975	4	12



PRODUCT CODE

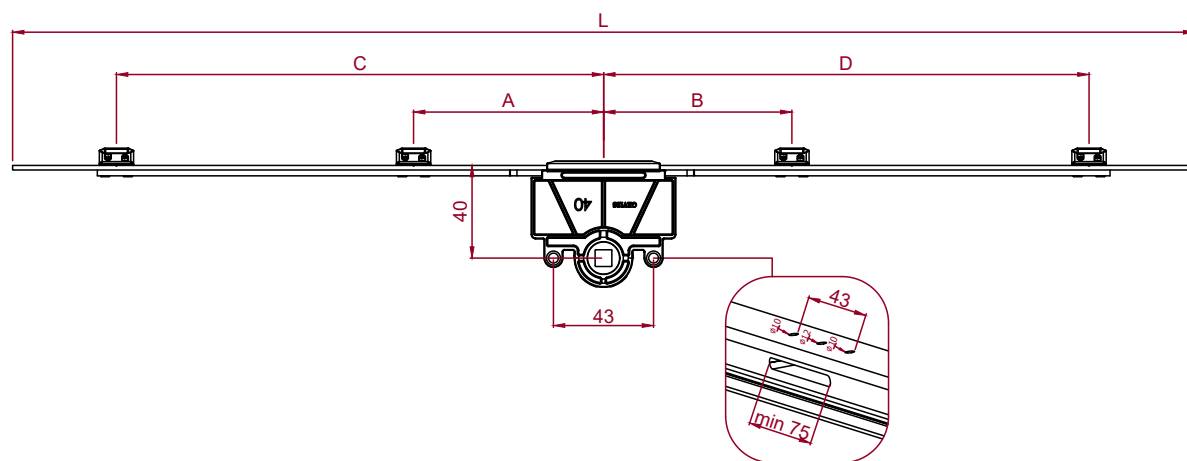
EXPLANATION



L (mm) **A** (mm) **B** (mm) **C** (mm) **D** (mm)



PRODUCT CODE	EXPLANATION	L (mm)	A (mm)	B (mm)	C (mm)	D (mm)	Bracket	Screw	Box	
ISP Z300/SUR-40	SLIDING ESPAGNOLETTE ZINC HOUSING	250-400	250	-	-	73	55	2	2	10
ISP Z400/SUR-40		400-600	400	-	-	136	118	2	4	10
ISP Z600/SUR-40		600-800	600	-	-	193	175	2	6	10
ISP Z800/SUR-40		800-1000	800	-	-	293	275	2	6	10
ISP Z1000/SUR-40		1000-1200	1000	-	151	393	375	3	8	10
ISP Z1200/SUR-40		1200-1400	1200	-	151	493	475	3	8	10
ISP Z1400/SUR-40		1400-1600	1400	169	151	593	575	4	10	10
ISP Z1600/SUR-40		1600-1800	1600	234	216	693	675	4	12	10
ISP Z1800/SUR-40		1800-2000	1800	269	251	793	775	4	12	10
ISP Z2000/SUR-40		2000-2200	2000	289	271	893	875	4	12	10
ISP Z2200/SUR-40		KYO-ZG 40	2200-2400	2200	289	271	993	975	4	12



PRODUCT CODE

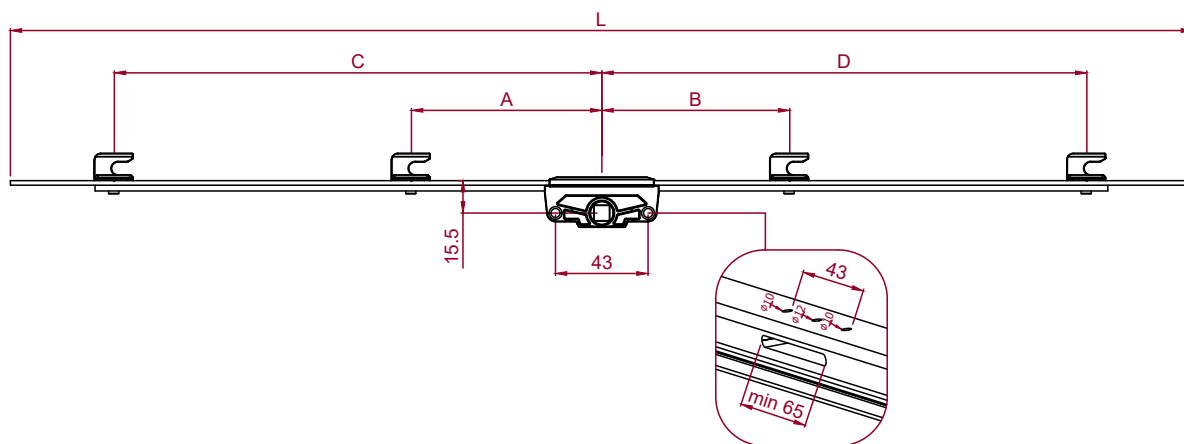
EXPLANATION



L (mm) **A** (mm) **B** (mm) **C** (mm) **D** (mm)



PRODUCT CODE	EXPLANATION	L (mm)	A (mm)	B (mm)	C (mm)	D (mm)	Bracket	Screw	Box	
ISP Z300-ZSUR/40	SLIDING ESPAGNOLETTE ZINC HOUSING - ZINC PIVOT	250-400	250	-	-	73	55	2	2	10
ISP Z400-ZSUR/40		400-600	400	-	-	136	118	2	4	10
ISP Z600-ZSUR/40		600-800	600	-	-	193	175	2	6	10
ISP Z800-ZSUR/40		800-1000	800	-	-	293	275	2	6	10
ISP Z1000-ZSUR/40		1000-1200	1000	-	151	393	375	3	8	10
ISP Z1200-ZSUR/40		1200-1400	1200	-	151	493	475	3	8	10
ISP Z1400-ZSUR/40		1400-1600	1400	169	151	593	575	4	10	10
ISP Z1600-ZSUR/40		1600-1800	1600	234	216	693	675	4	12	10
ISP Z1800-ZSUR/40		1800-2000	1800	269	251	793	775	4	12	10
ISP Z2000-ZSUR/40		2000-2200	2000	289	271	893	875	4	12	10
ISP Z2200-ZSUR/40		KYO-ZG 40	2200-2400	2200	289	271	993	975	4	12



PRODUCT CODE

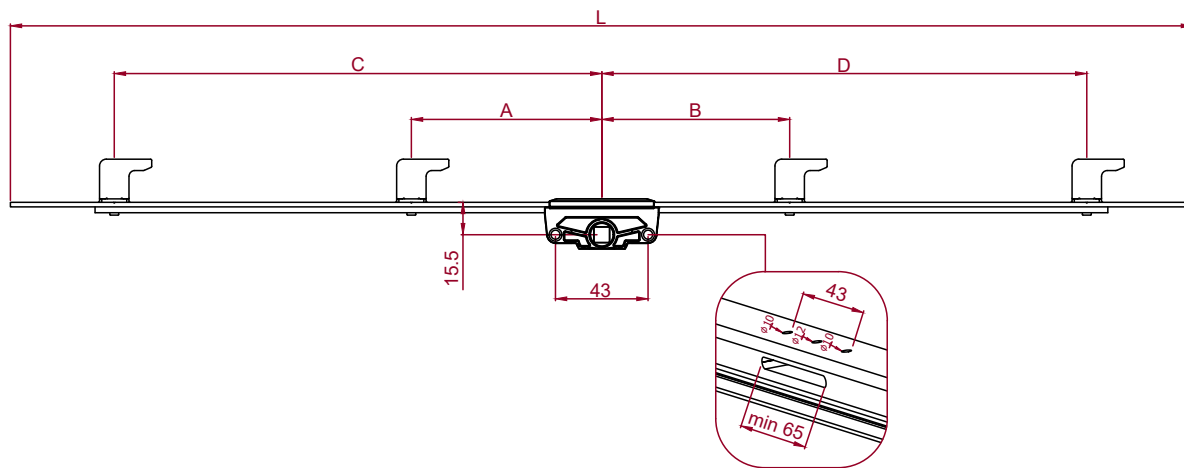
EXPLANATION



L A B C D
(mm) (mm) (mm) (mm) (mm)



PRODUCT CODE	EXPLANATION	L (mm)	A (mm)	B (mm)	C (mm)	D (mm)	Screw	Box	
ISP Z400-ZKSUR/15	SLIDING ESPAGNOLETTE ZINC HOUSING	400-600	395	-	-	133	115	4	20
ISP Z600-ZKSUR/15		600-800	595	-	-	190	172	6	20
ISP Z800-ZKSUR/15		800-1000	795	-	-	290	272	6	20
ISP Z1000-ZKSUR/15		1000-1200	995	-	148	390	372	8	20
ISP Z1200-ZKSUR/15		1200-1400	1195	-	148	490	472	8	20
ISP Z1400-ZKSUR/15		1400-1600	1395	166	148	590	572	10	20
ISP Z1600-ZKSUR/15		1600-1800	1595	231	213	690	672	12	20
ISP Z1800-ZKSUR/15		1800-2000	1795	266	248	790	772	12	20
ISP Z2000-ZKSUR/15		2000-2200	1995	286	268	890	872	12	20
ISP Z2200-ZKSUR/15		KYO-ZG 7.5	2200-2400	2195	286	268	990	972	12



PRODUCT CODE

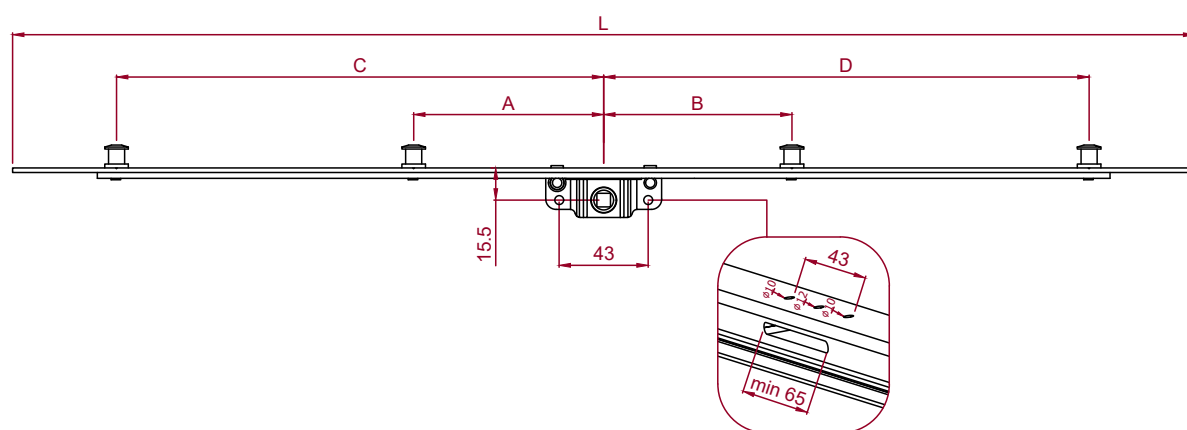
EXPLANATION



L A B C D
(mm) (mm) (mm) (mm) (mm)



PRODUCT CODE	EXPLANATION	L (mm)	A (mm)	B (mm)	C (mm)	D (mm)	Screw	Box	
ISP Z400-SKSUR/15	SLIDING ESPAGNOLETTE ZINC HOUSING - ZINC PIVOT	400-600	395	-	-	133	115	4	20
ISP Z600-SKSUR/15		600-800	595	-	-	190	172	6	20
ISP Z800-SKSUR/15		800-1000	795	-	-	290	272	6	20
ISP Z1000-SKSUR/15		1000-1200	995	-	148	390	372	8	20
ISP Z1200-SKSUR/15		1200-1400	1195	-	148	490	472	8	20
ISP Z1400-SKSUR/15		1400-1600	1395	166	148	590	572	10	20
ISP Z1600-SKSUR/15		1600-1800	1595	231	213	690	672	12	20
ISP Z1800-SKSUR/15		1800-2000	1795	266	248	790	772	12	20
ISP Z2000-SKSUR/15		2000-2200	1995	286	268	890	872	12	20
ISP Z2200-SKSUR/15		KYO-ZG 7.5	2200-2400	2195	286	268	990	972	12



PRODUCT CODE

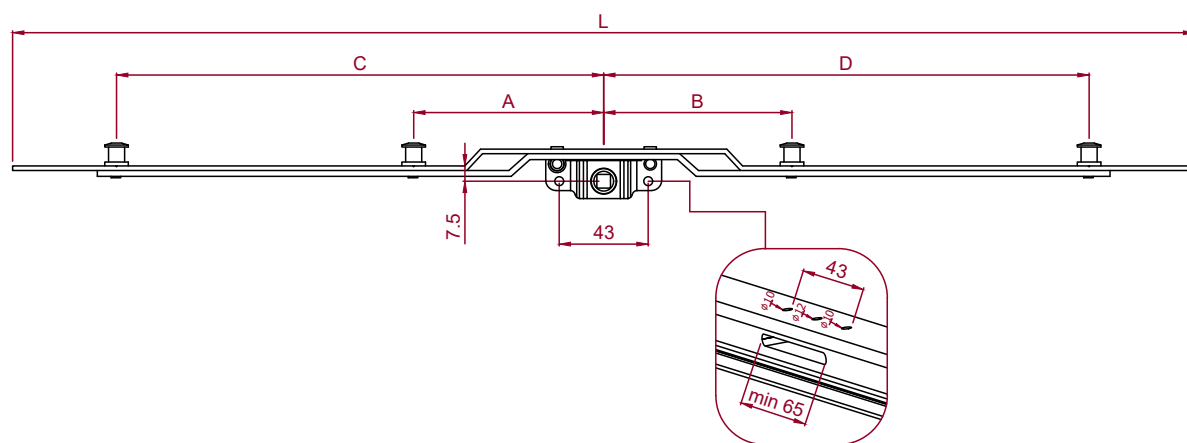
EXPLANATION



L (mm) **A** (mm) **B** (mm) **C** (mm) **D** (mm)



PRODUCT CODE	EXPLANATION		L (mm)	A (mm)	B (mm)	C (mm)	D (mm)			
ISP M300-SUR/15	SLIDING ESPAGNOLETTE METAL HOUSING	250-400	250	-	-	73	55	2	2	20
ISP M400-SUR/15		400-600	400	-	-	136	118	2	4	20
ISP M600-SUR/15		600-800	600	-	-	193	175	2	6	20
ISP M800-SUR/15		800-1000	800	-	-	293	275	2	6	20
ISP M1000-SUR/15		1000-1200	1000	-	151	393	375	3	8	20
ISP M1200-SUR/15		1200-1400	1200	-	151	493	475	3	8	20
ISP M1400-SUR/15		1400-1600	1400	169	151	593	575	4	10	20
ISP M1600-SUR/15		1600-1800	1600	234	216	693	675	4	12	20
ISP M1800-SUR/15		1800-2000	1800	269	251	793	775	4	12	20
ISP M2000-SUR/15		KYO-MG 15.5	2000-2200	2000	289	271	893	875	4	12



PRODUCT CODE

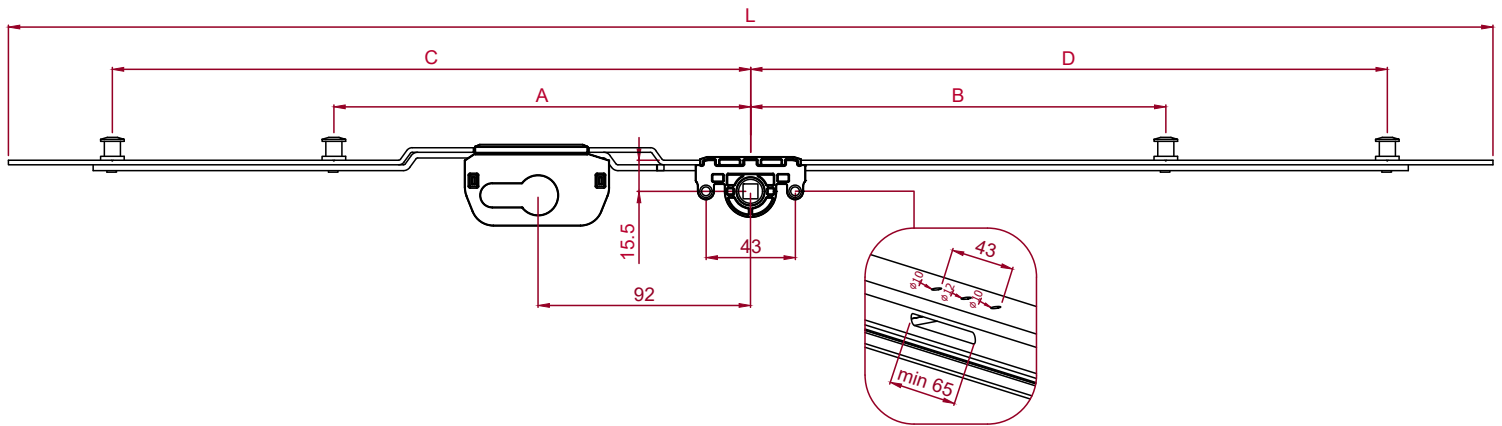
EXPLANATION

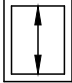



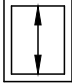


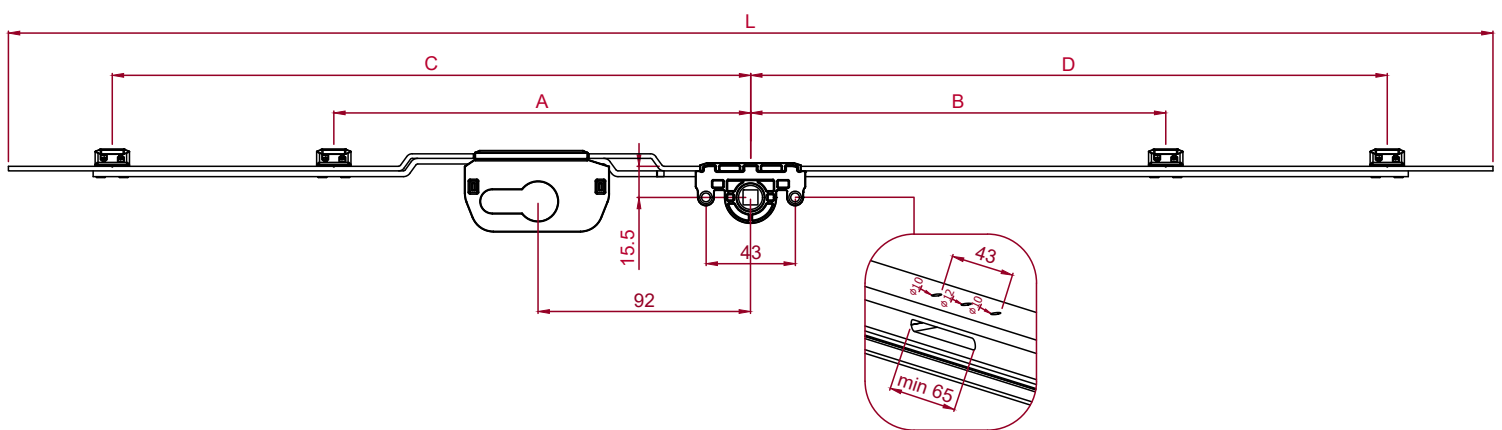
L (mm) **A** (mm) **B** (mm) **C** (mm) **D** (mm)

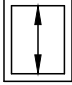



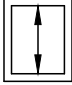


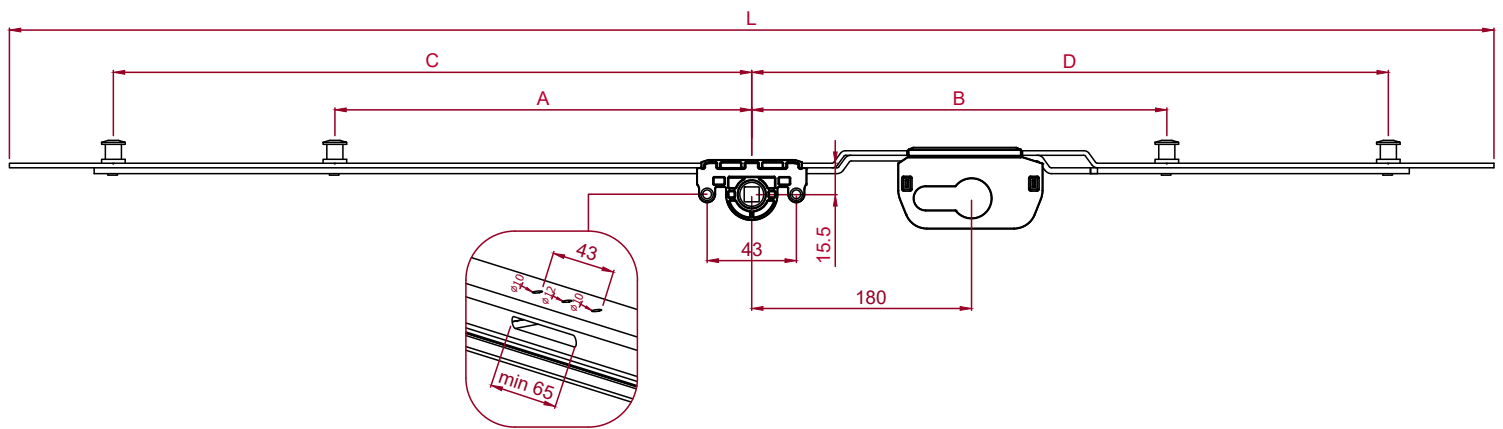
PRODUCT CODE	EXPLANATION		L (mm)	A (mm)	B (mm)	C (mm)	D (mm)			
ISP M400-SUR/7.5	SLIDING ESPAGNOLETTE METAL HOUSING	400-600	400	-	-	133	115	2	4	20
ISP M600-SUR/7.5		600-800	600	-	-	190	172	2	6	20
ISP M800-SUR/7.5		800-1000	800	-	-	290	272	2	6	20
ISP M1000-SUR/7.5		1000-1200	1000	-	148	390	372	3	8	20
ISP M1200-SUR/7.5		1200-1400	1200	-	148	490	472	3	8	20
ISP M1400-SUR/7.5		1400-1600	1400	166	148	590	572	4	10	20
ISP M1600-SUR/7.5		1600-1800	1600	231	213	690	672	4	12	20
ISP M1800-SUR/7.5	KYO-MG 7.5	1800-2000	1800	266	248	790	772	4	12	20
ISP M2000-SUR/7.5		2000-2200	2000	286	268	890	872	4	12	20

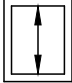



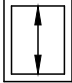


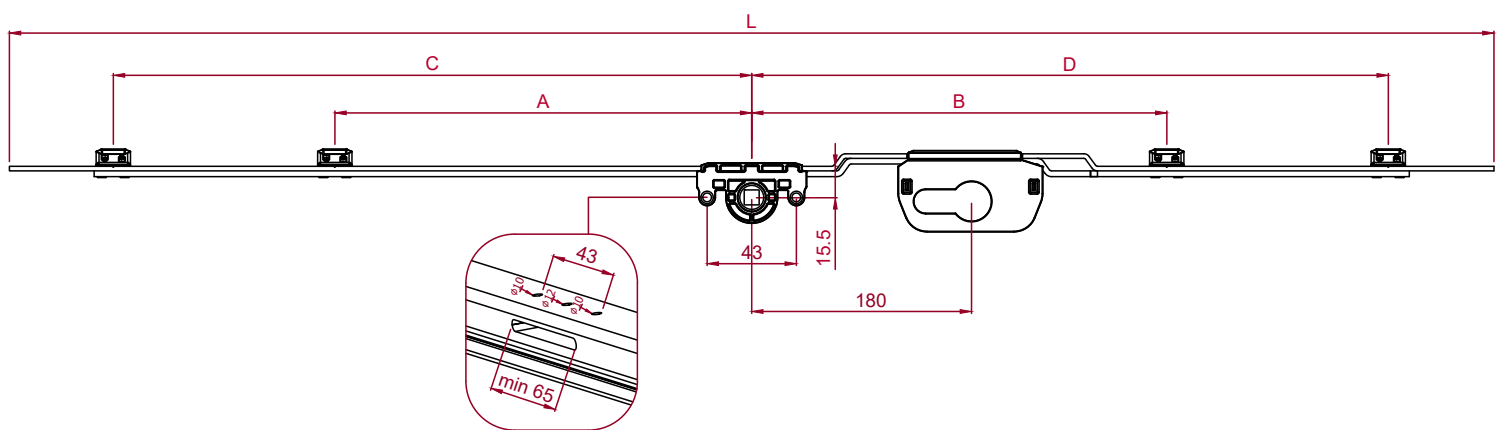
PRODUCT CODE	EXPLANATION		L	A	B	C	D				
			(mm)	(mm)	(mm)	(mm)	(mm)				
ISP BRL 1600/SUR	LOCKABLE ESPAGNOLETTE WITH CYLINDER POSITION ON THE BOTTOM <i>KYO-ZG 15.5</i>		1600-1800	1595	232	214	691	673	4	11	10
ISP BRL 1800/SUR			1800-2000	1795	267	249	791	773	4	11	10
ISP BRL 2000/SUR			2000-2200	1995	287	269	891	873	4	11	10

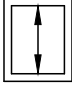



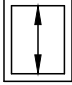


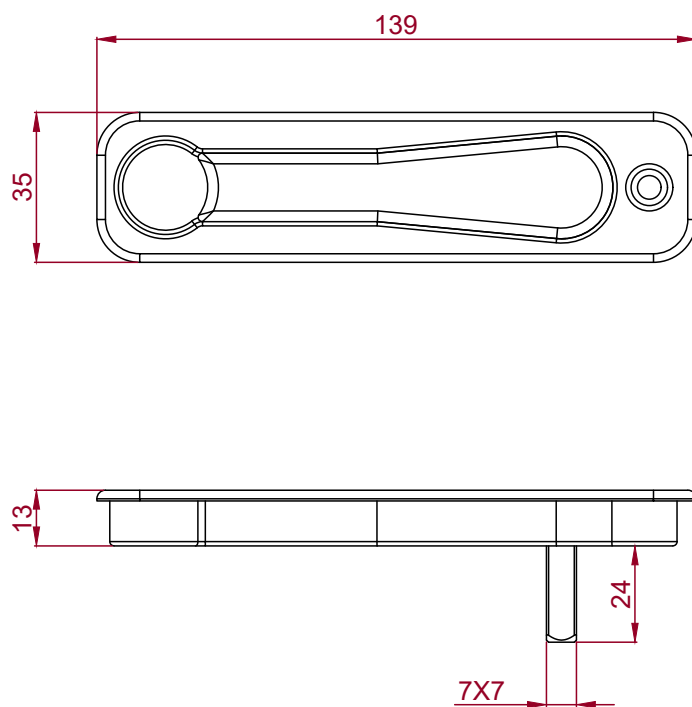
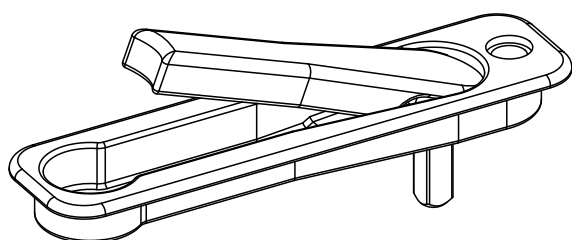
PRODUCT CODE	EXPLANATION		L	A	B	C	D				
			(mm)	(mm)	(mm)	(mm)	(mm)				
ISP BRL 1600/SUR-ZP	LOCKABLE ESPAGNOLETTE WITH CYLINDER POSITION ON THE BOTTOM (ZINC PIVOT) <i>KYO-ZG 15.5</i>		1600-1800	1595	232	214	691	673	4	11	10
ISP BRL 1800/SUR-ZP			1800-2000	1795	267	249	791	773	4	11	10
ISP BRL 2000/SUR-ZP			2000-2200	1995	287	269	891	873	4	11	10





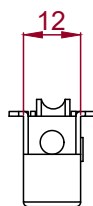
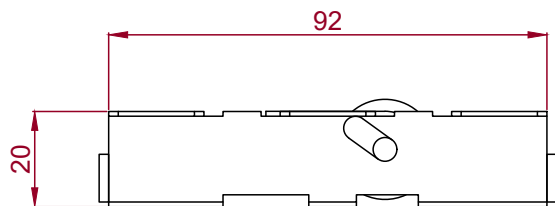
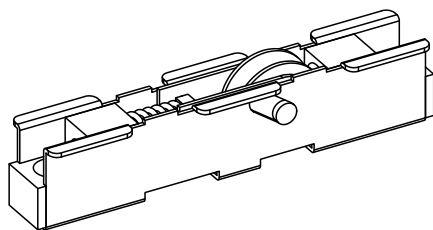
PRODUCT CODE	EXPLANATION		L	A	B	C	D				
			(mm)	(mm)	(mm)	(mm)	(mm)				
ISP BRL 1800/SUR-U	LOCKABLE ESPAGNOLETTE WITH CYLINDER POSITION ON THE TOP KYO-ZG 15.5		1800-2000	1795	267	249	791	773	4	11	10
ISP BRL 2000/SUR-U			2000-2200	1995	287	269	891	873	4	11	10



PRODUCT CODE	EXPLANATION		L	A	B	C	D				
			(mm)	(mm)	(mm)	(mm)	(mm)				
ISP BRL 1600/SUR-U-ZP	LOCKABLE ESPAGNOLETTE WITH CYLINDER POSITION ON THE TOP (ZINC PIVOT) KYO-ZG 15.5		1600-1800	1595	232	214	691	673	4	11	10
ISP BRL 1800/SUR-U-ZP			1800-2000	1795	267	249	791	773	4	11	10
ISP BRL 2000/SUR-U-ZP			2000-2200	1995	287	269	891	873	4	11	10



PRODUCT CODE	EXPLANATION	COLOR		
GZK 01	SLIDING HIDDEN HANDLE - ZINC	WHITE	2	100
GZK 02		GOLDEN OAK	2	100
GZK 03		DARK BROWN	2	100
GZK RA		PRIVATE COLOR	2	100
GAK 01	SLIDING HIDDEN HANDLE - ALUMINIUM	WHITE	2	100
GAK 02		GOLDEN OAK	2	100
GAK 03		DARK BROWN	2	100
GAK RA		PRIVATE COLOR	2	100
GSK 01	SLIDING HIDDEN HANDLE - METAL	WHITE	2	100
GSK 02		GOLDEN OAK	2	100
GSK 03		DARK BROWN	2	100
GSK RA		PRIVATE COLOR	2	100

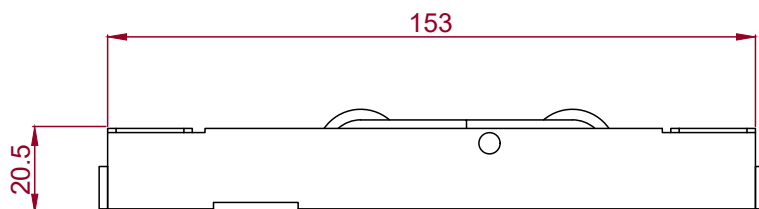
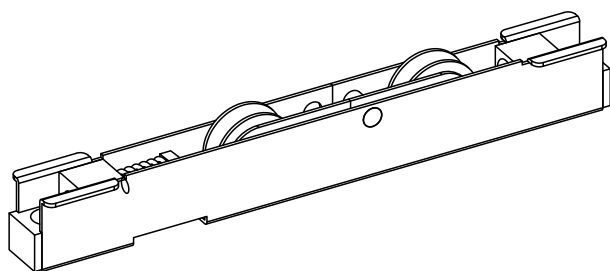


PRODUCT CODE

EXPLANATION



G.STS.IPLY	SLIDING WHEELS - BRASS	2	120
G.STS.PLY	SLIDING WHEELS - POLYAMID	2	120

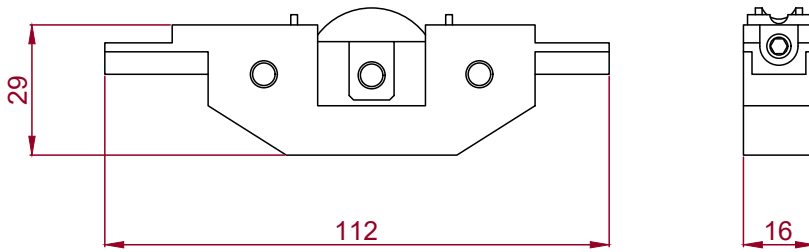
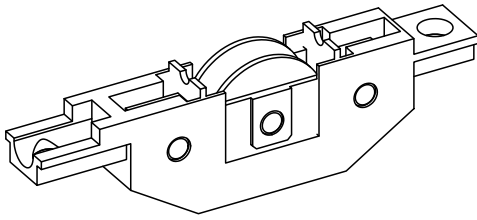


PRODUCT CODE

EXPLANATION



G.BCS.PRN	SLIDING WHEELS - BRASS	2	170
G.BCS.PLY	SLIDING WHEELS - POLYAMID	2	170

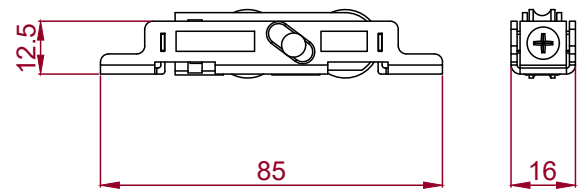
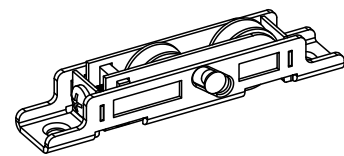
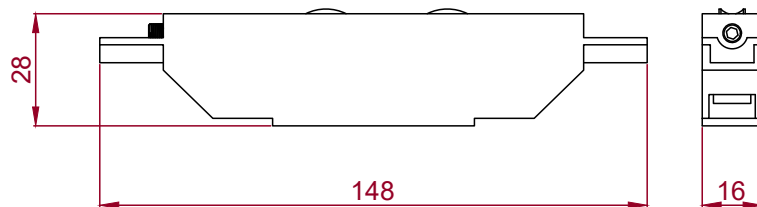
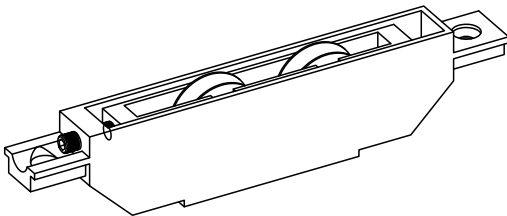


PRODUCT CODE

EXPLANATION



G.BST.PRN	SLIDING WHEELS - BRASS	2	100
G.BST.PLY	SLIDING WHEELS - POLYAMID	2	100

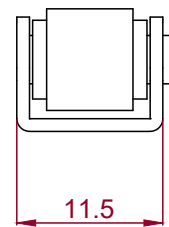
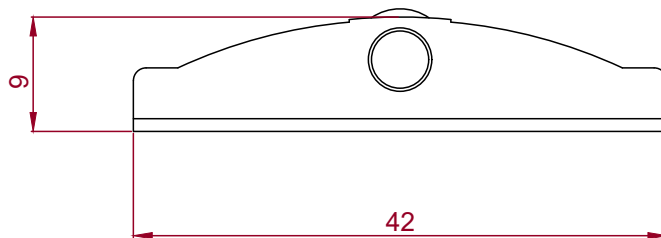
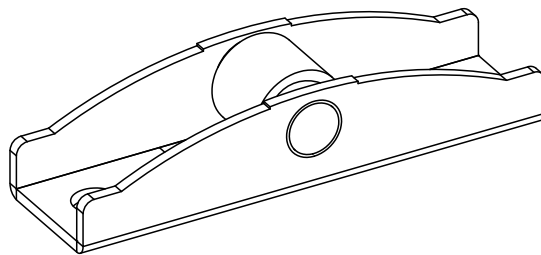


PRODUCT CODE

EXPLANATION



G.SRL.TK	SLIDING DOUBLE WHEEL ROLLER	2	100
G.CST.KRM	MINI METAL DOUBLE ROLLER CHROME	2	180



PRODUCT CODE

EXPLANATION

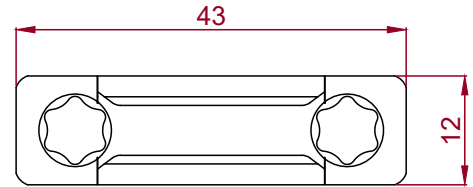
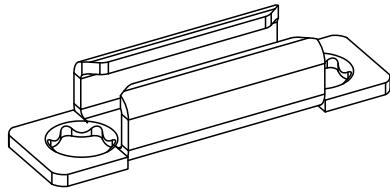


SIN.RUL.12/42

SCREENING SLIDING ROLLER

2

100

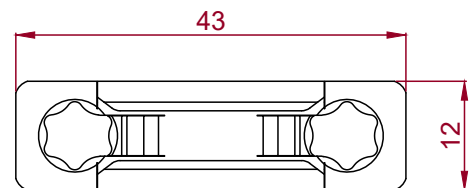
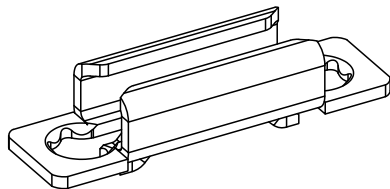


PRODUCT CODE

EXPLANATION



PRODUCT CODE	EXPLANATION		
ISK 01	ESPAGNOLETTE SLIDING STRIKER	2	1000

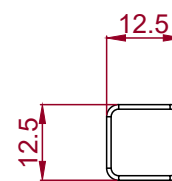
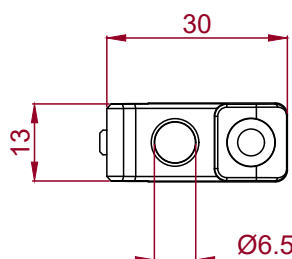
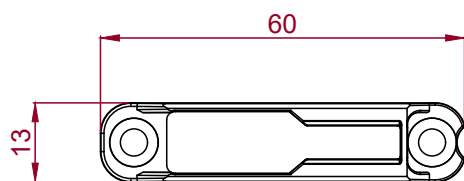
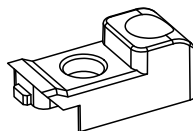
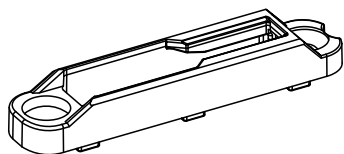
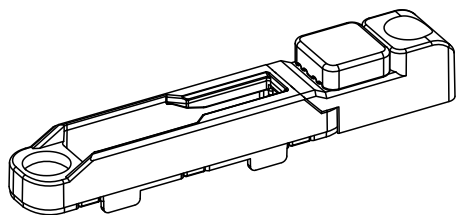


PRODUCT CODE

EXPLANATION



PRODUCT CODE	EXPLANATION		
ISK 02	ESPAGNOLETTE SLIDING STRIKER - WITH NAIL	2	1000

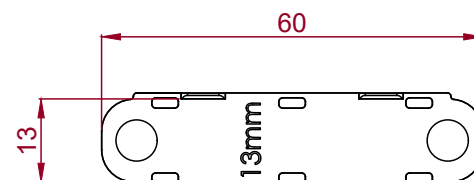
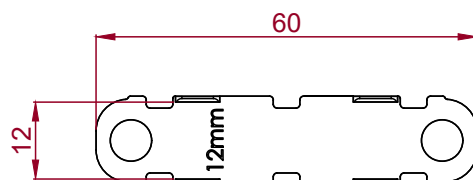
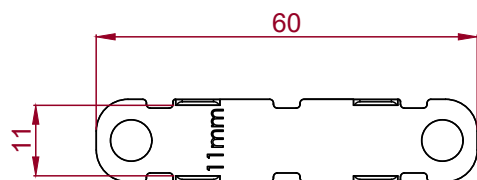
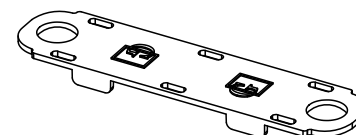
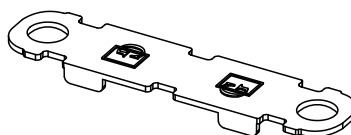
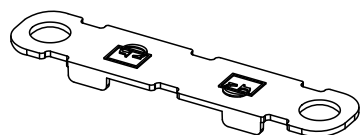


PRODUCT CODE

EXPLANATION



PRODUCT CODE	EXPLANATION		
SRK Z100	SLIDING PIVOT STRIKER	2	500
SRK C200		1	500
SRK E300		-	500



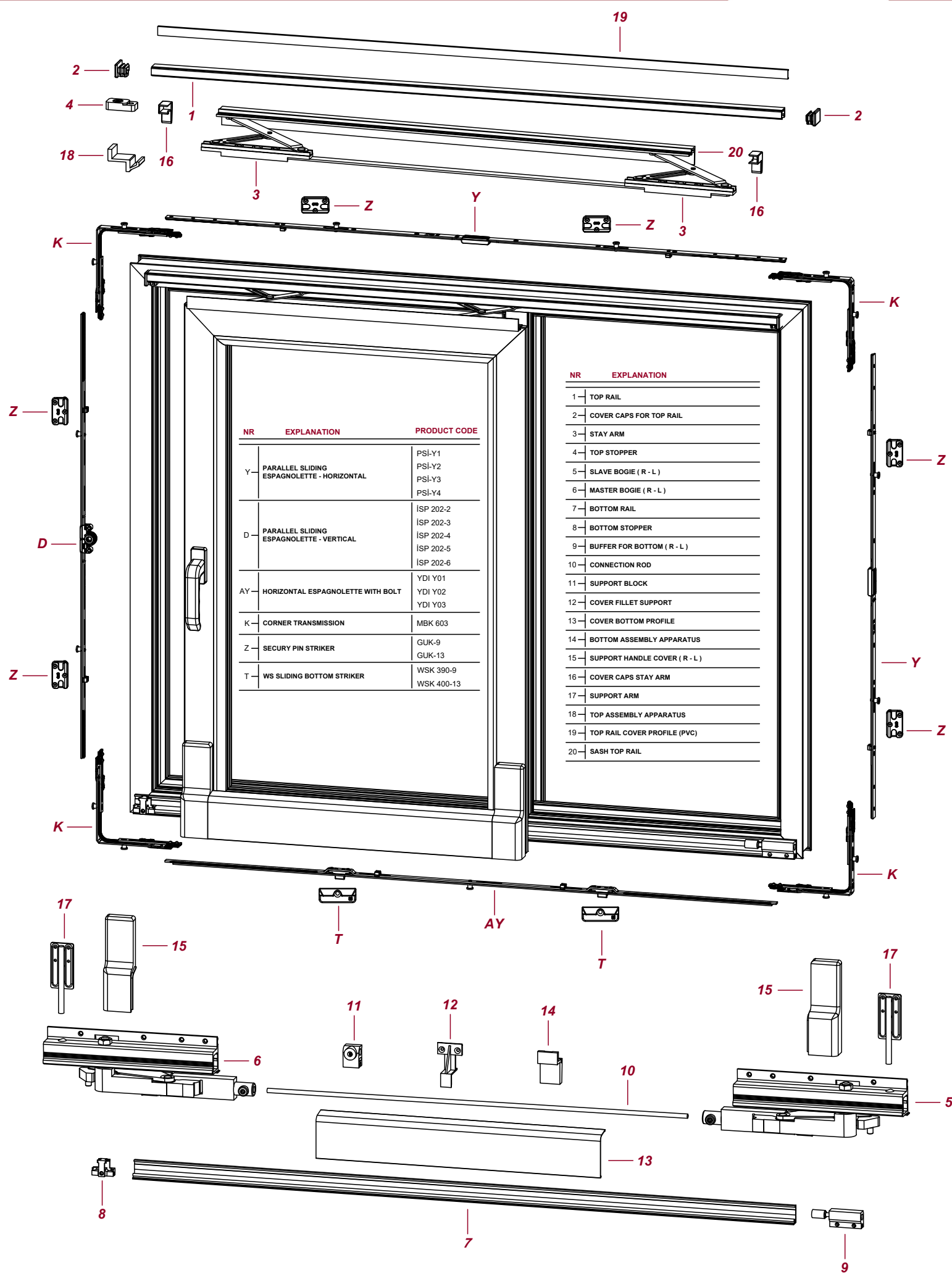
PRODUCT CODE

EXPLANATION



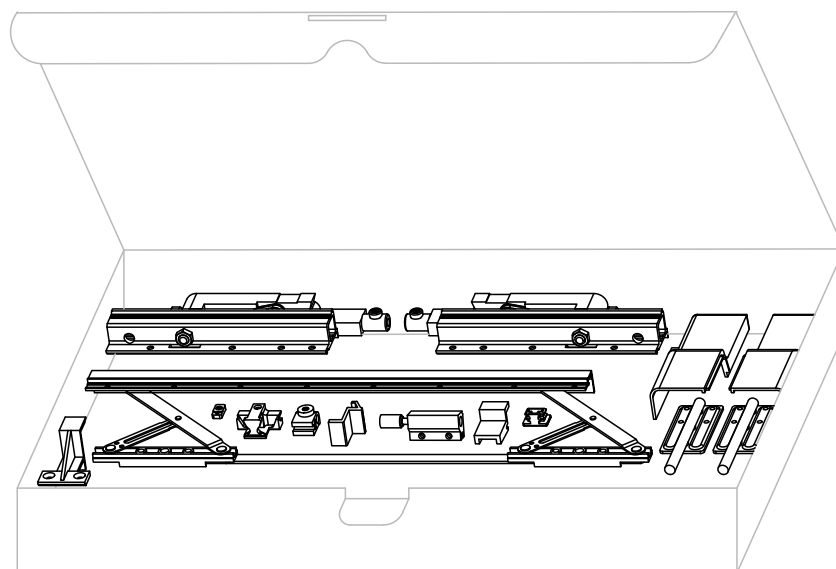
PRODUCT CODE	EXPLANATION		
SRK T11	SLIDING PIVOT STRIKER		500
SRK T12			500
SRK T13			500



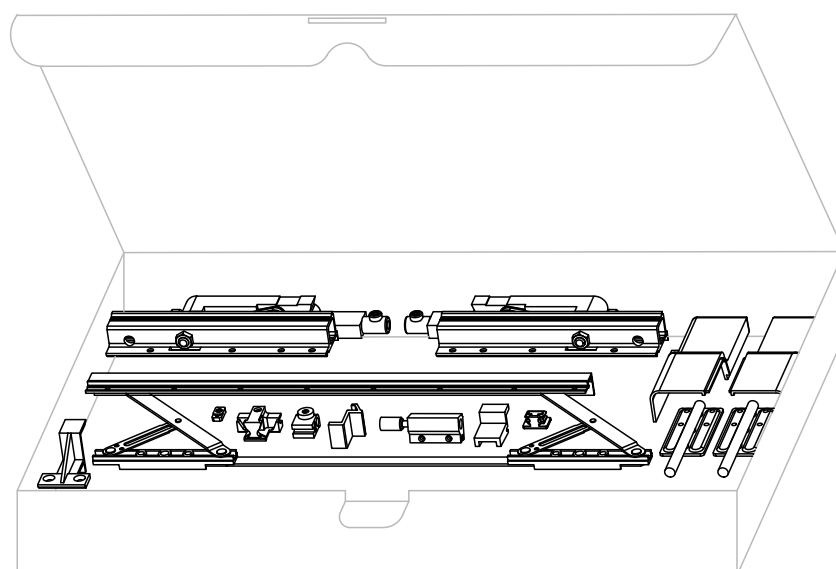


NR	EXPLANATION	PRODUCT CODE
Y	PARALLEL SLIDING ESPAGNOLETTE - HORIZONTAL	PSI-Y1 PSI-Y2 PSI-Y3 PSI-Y4
D	PARALLEL SLIDING ESPAGNOLETTE - VERTICAL	ISP 202-2 ISP 202-3 ISP 202-4 ISP 202-5 ISP 202-6
AY	HORIZONTAL ESPAGNOLETTE WITH BOLT	YDI Y01 YDI Y02 YDI Y03
K	CORNER TRANSMISSION	MBK 603
Z	SECURITY PIN STRIKER	GUK-9 GUK-13
T	WS SLIDING BOTTOM STRIKER	WSK 390-9 WSK 400-13

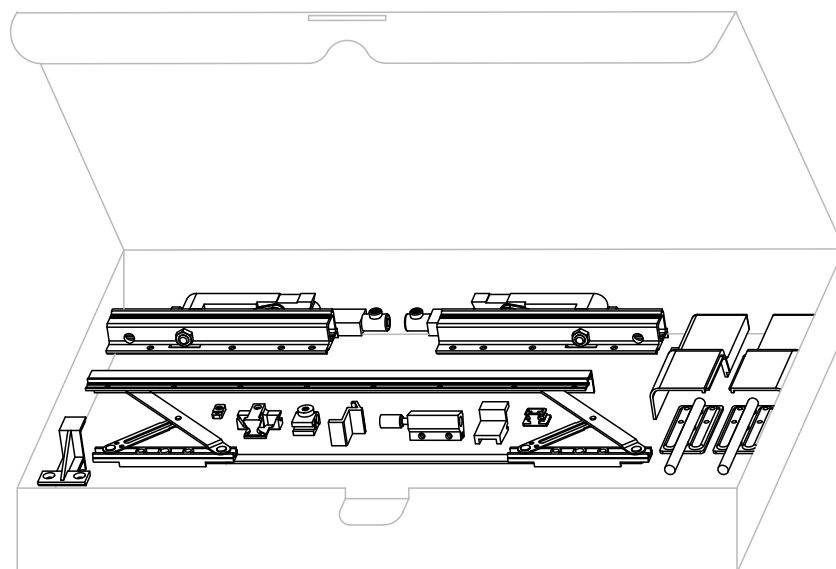
NR	EXPLANATION
1	TOP RAIL
2	COVER CAPS FOR TOP RAIL
3	STAY ARM
4	TOP STOPPER
5	SLAVE BOGIE (R - L)
6	MASTER BOGIE (R - L)
7	BOTTOM RAIL
8	BOTTOM STOPPER
9	BUFFER FOR BOTTOM (R - L)
10	CONNECTION ROD
11	SUPPORT BLOCK
12	COVER FILLET SUPPORT
13	COVER BOTTOM PROFILE
14	BOTTOM ASSEMBLY APPARATUS
15	SUPPORT HANDLE COVER (R - L)
16	COVER CAPS STAY ARM
17	SUPPORT ARM
18	TOP ASSEMBLY APPARATUS
19	TOP RAIL COVER PROFILE (PVC)
20	SASH TOP RAIL



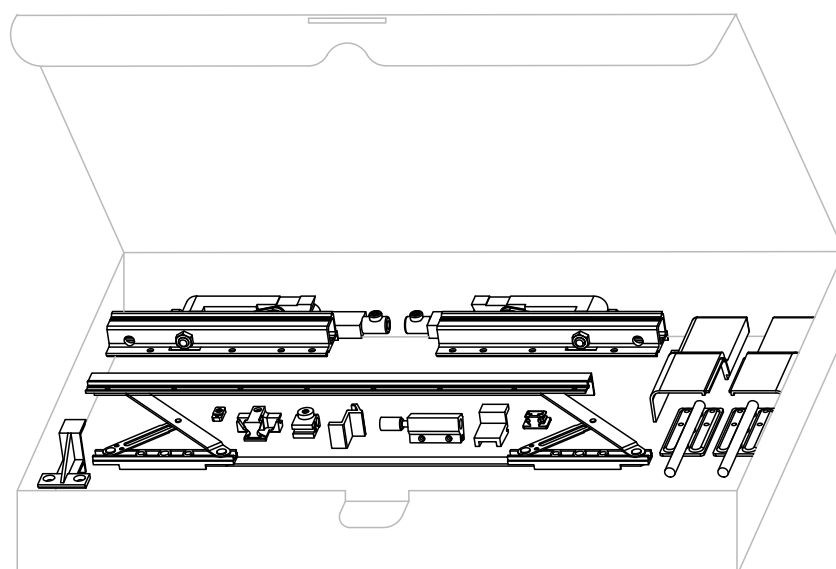
PRODUCT CODE	EXPLANATION	COLOR	
WS-20.01	PARALLEL SLIDING SYSTEM - 2000 MM	WHITE	1
WS-20.02		GOLDEN OAK (PATTERNED)	1
WS-20.03		DARK BROWN	1
WS-20.04		SILVER	1



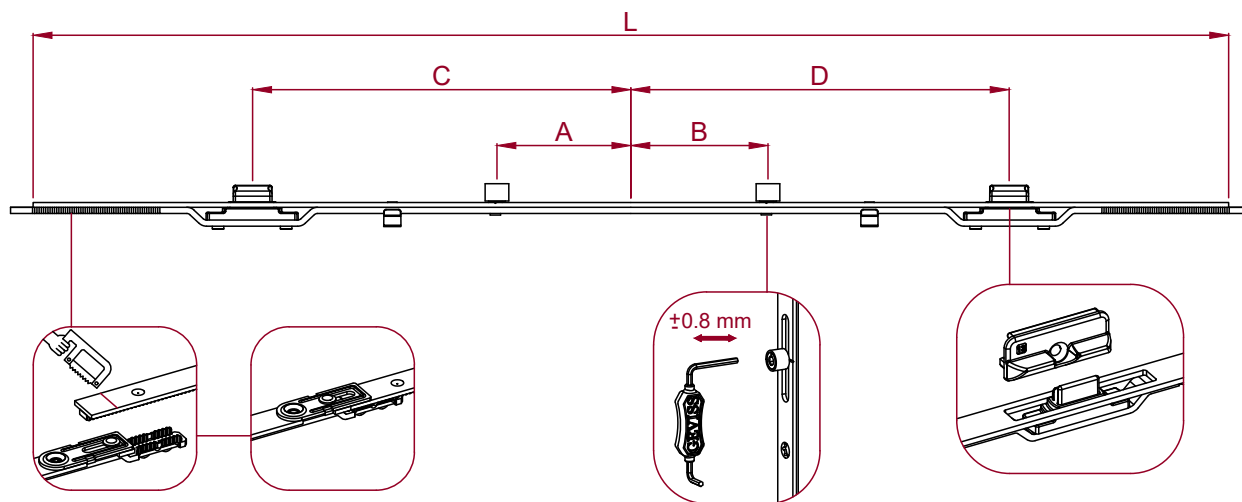
PRODUCT CODE	EXPLANATION	COLOR	
WS-25.01	PARALLEL SLIDING SYSTEM - 2500 MM	WHITE	1
WS-25.02		GOLDEN OAK (PATTERNED)	1
WS-25.03		DARK BROWN	1
WS-25.04		SILVER	1

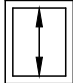

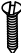



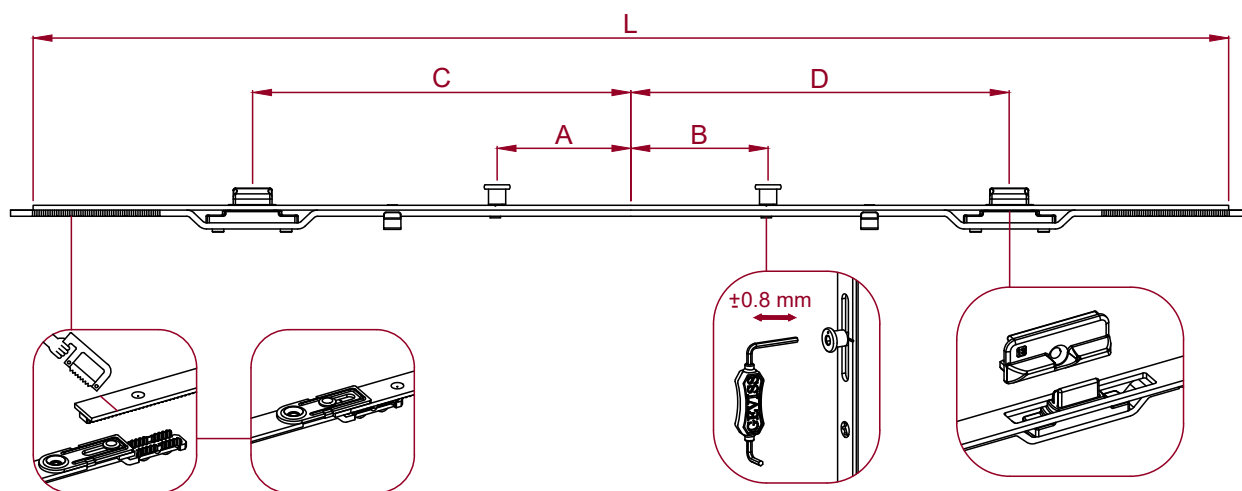
PRODUCT CODE	EXPLANATION	COLOR	
WS-30.01	PARALLEL SLIDING SYSTEM - 3000 MM	WHITE	1
WS-30.02		GOLDEN OAK (PATTERNED)	1
WS-30.03		DARK BROWN	1
WS-30.04		SILVER	1

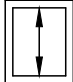
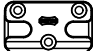




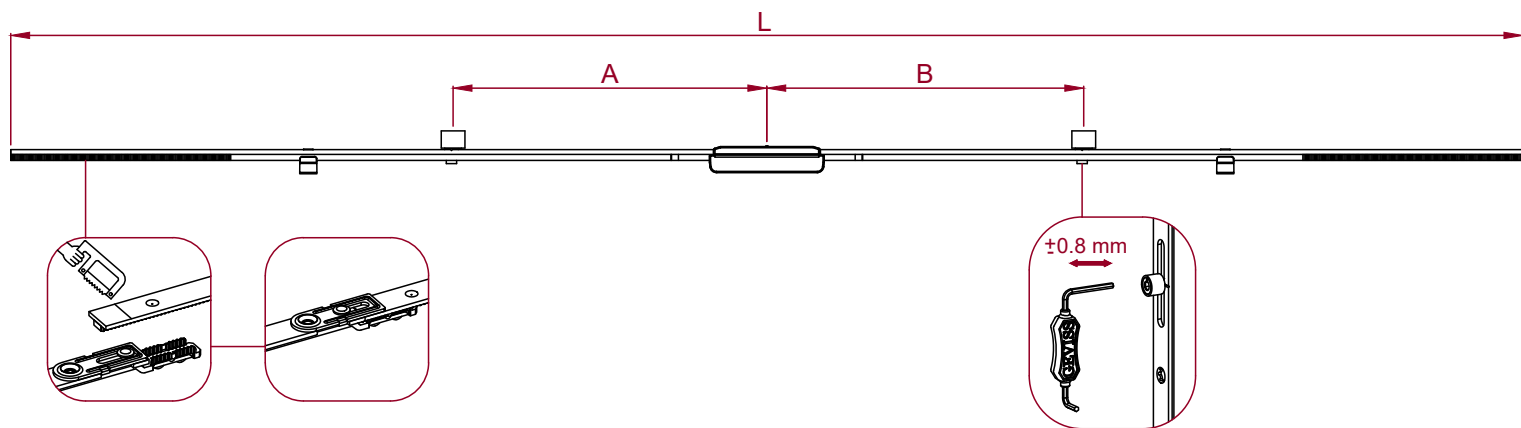
PRODUCT CODE	EXPLANATION	COLOR	
WS-35.01	PARALLEL SLIDING SYSTEM - 3500 MM	WHITE	1
WS-35.02		GOLDEN OAK (PATTERNED)	1
WS-35.03		DARK BROWN	1
WS-35.04		SILVER	1

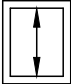

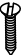



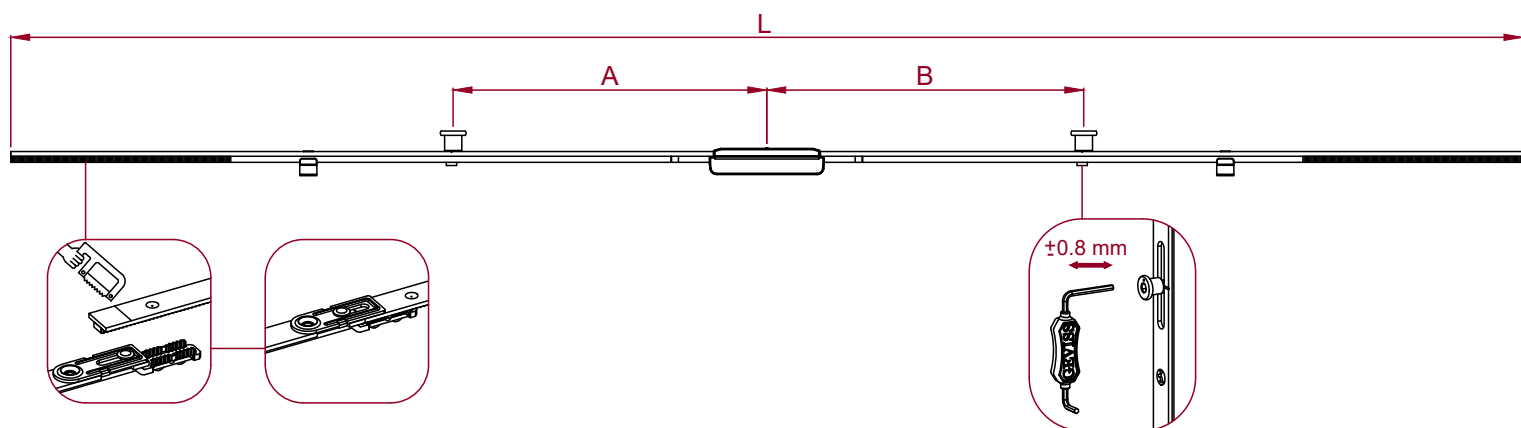
PRODUCT CODE	EXPLANATION		L (mm)	A (mm)	B (mm)	C (mm)	D (mm)			
YDi Y01	HORIZONTAL ESPAGNOLETTE WITH BOLT	600-1100	840	-	-	100	100	-	1	10
YDi Y02		900-1400	1140	0	0	250	250	1	3	10
YDi Y03		1300-1800	1540	250	250	450	450	2	5	10

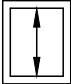

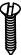



PRODUCT CODE	EXPLANATION		L (mm)	A (mm)	B (mm)	C (mm)	D (mm)			
YDi Y02-G	HORIZONTAL ESPAGNOLETTE WITH BOLT - SECURITY	900-1400	1140	0	0	250	250	1	3	10
YDi Y03-G		1300-1800	1540	250	250	450	450	2	5	10

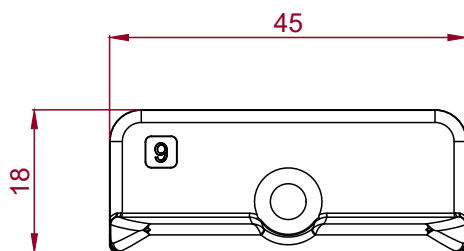
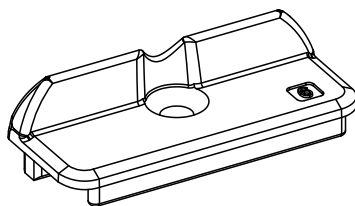


PRODUCT CODE	EXPLANATION		L (mm)	A (mm)	B (mm)			
PSi-Y1	PARALLEL SLIDING ESPAGNOLETTE	700-1200	905	111	-	1	3	10
PSi-Y2		900-1400	1110	111	-	1	4	10
PSi-Y3		1200-1700	1400	270	270	2	6	10
PSi-Y4		1700-2200	1900	340	340	2	6	10



PRODUCT CODE	EXPLANATION		L (mm)	A (mm)	B (mm)			
PSi-Y1/G	PARALLEL SLIDING ESPAGNOLETTE - SECURITY	700-1200	905	111	-	1	3	10
PSi-Y2/G		900-1400	1110	111	-	1	4	10
PSi-Y3/G		1200-1700	1400	270	270	2	6	10
PSi-Y4/G		1700-2200	1900	340	340	2	6	10

9 AXIS



PRODUCT CODE

EXPLANATION



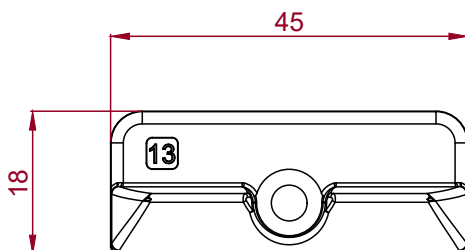
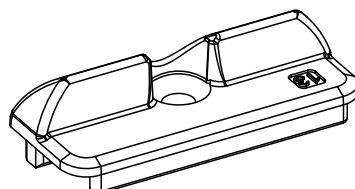
WSK 390-9

WS SLIDING BOTTOM STRIKER - 9 AXIS

1

200

13 AXIS



PRODUCT CODE

EXPLANATION



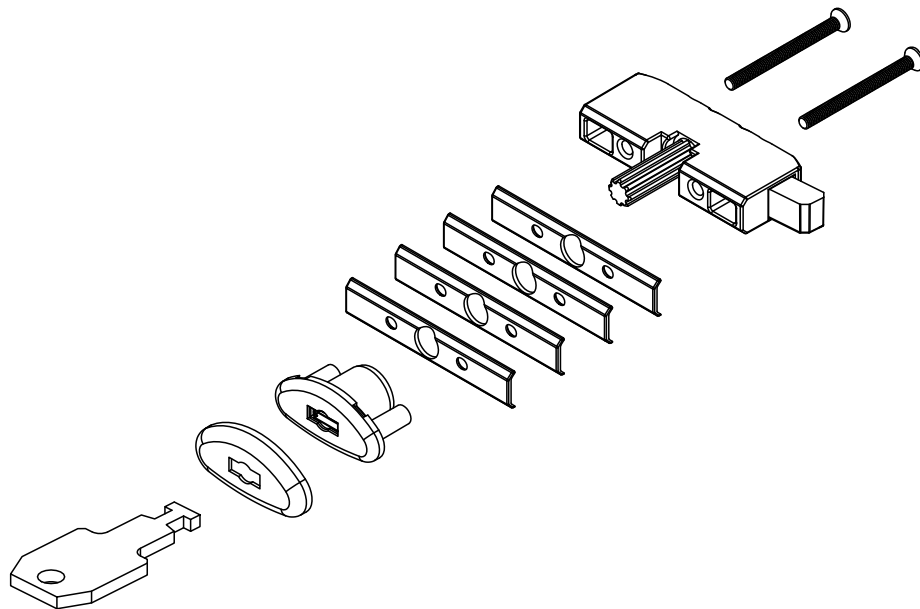
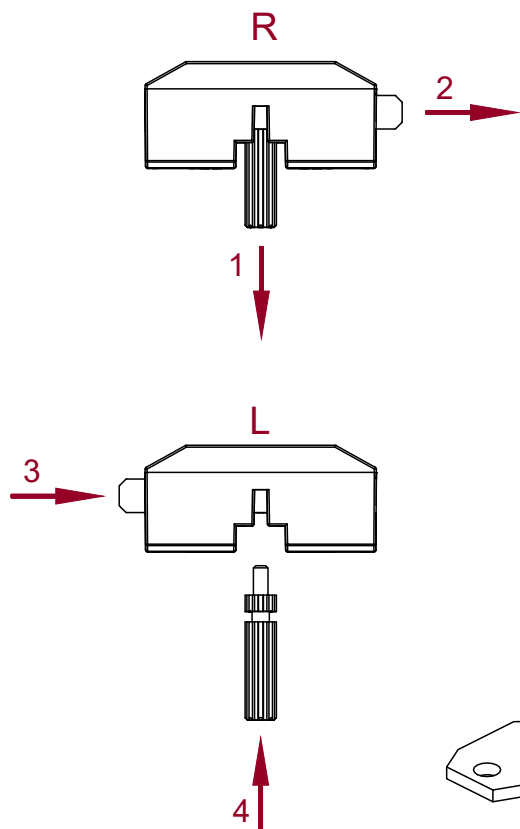
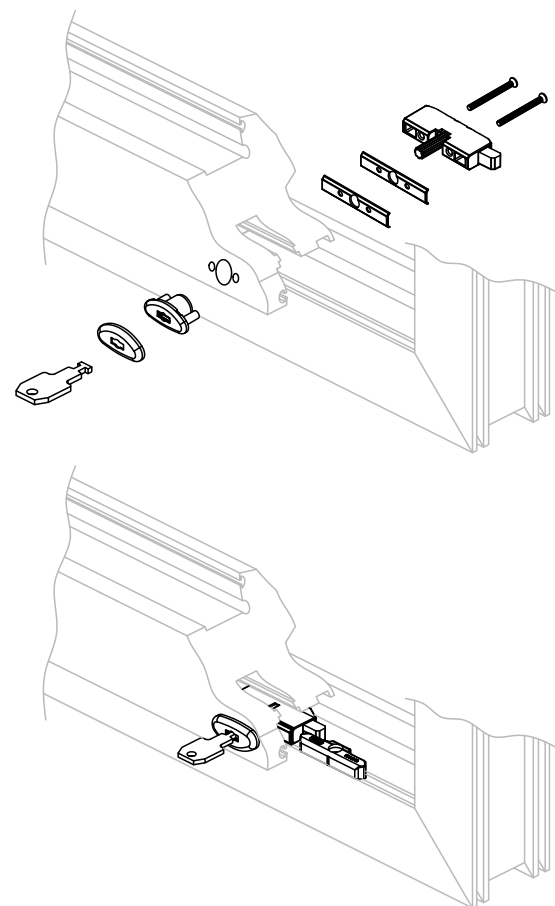
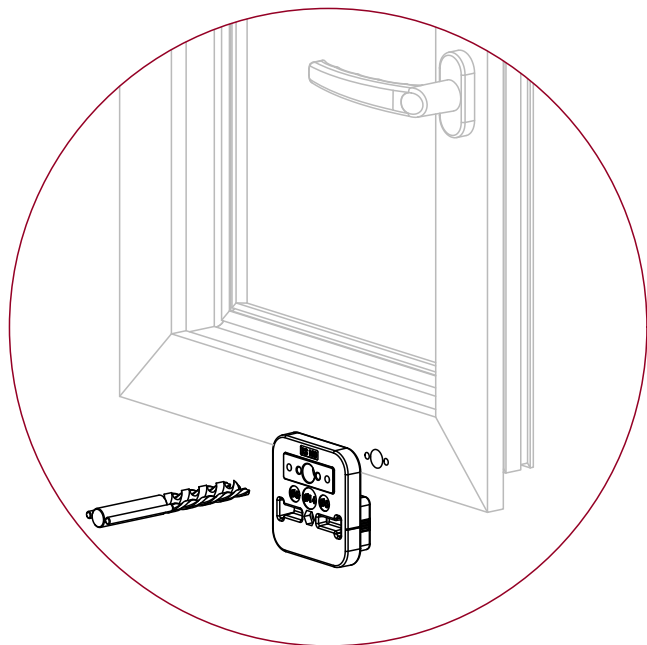
WSK 390-13

WS SLIDING BOTTOM STRIKER - 13 AXIS

1

200







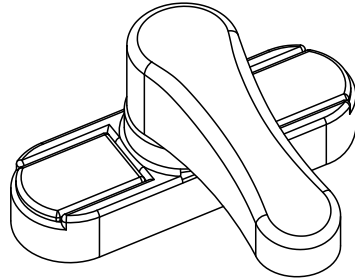
PRODUCT CODE



EXPLANATION

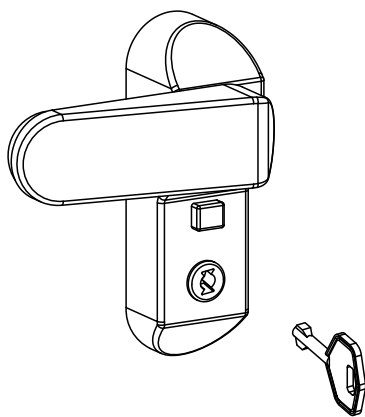
COLOR





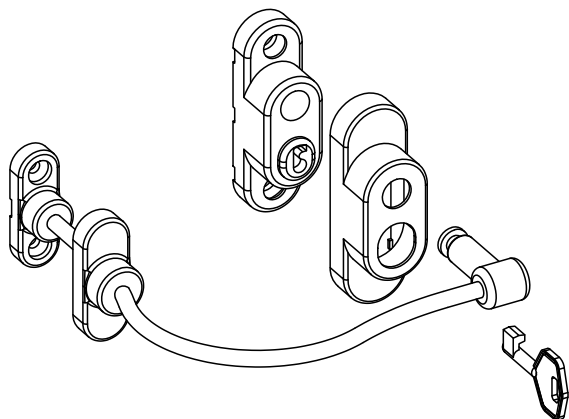
PRODUCT CODE	EXPLANATION	COLOR		
PEK 01	COVERS	WHITE	2	100
PEK 02		GOLDEN OAK	2	100
PEK 03		DARK BROWN	2	100
PEK 04		BLACK	2	100
PEK 05		GREY	2	100
PEK RA		PRIVATE COLOR	2	100





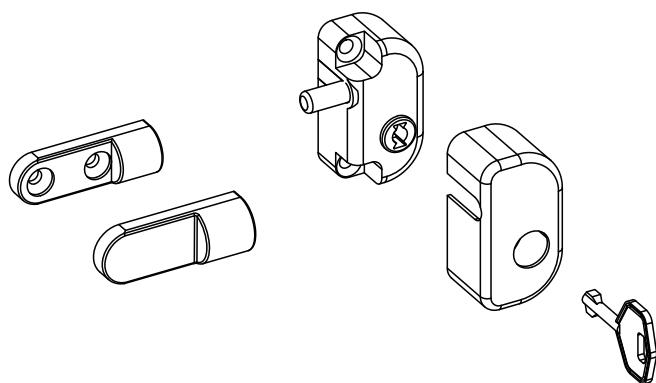
PRODUCT CODE	EXPLANATION	COLOR		
T-MND 01	SECURITY LATCH	WHITE	2	100
T-MND 02		GOLDEN OAK	2	100
T-MND 03		DARK BROWN	2	100
T-MND RA		PRIVATE COLOR	2	100





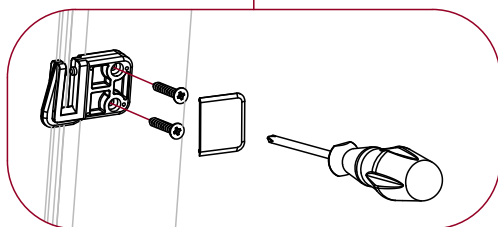
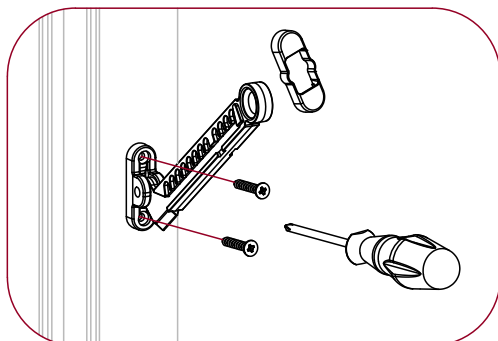
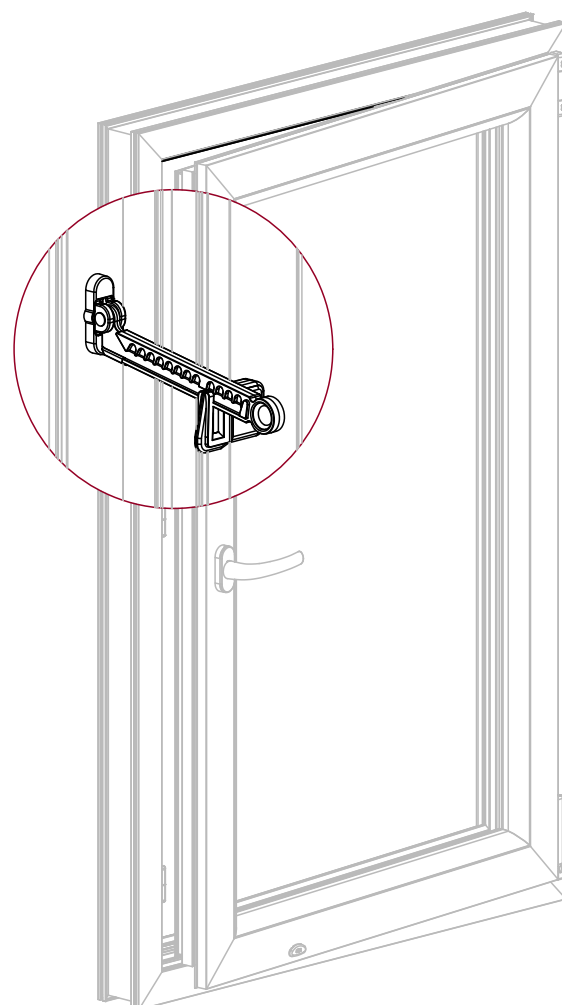
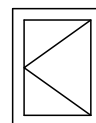
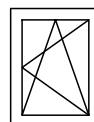
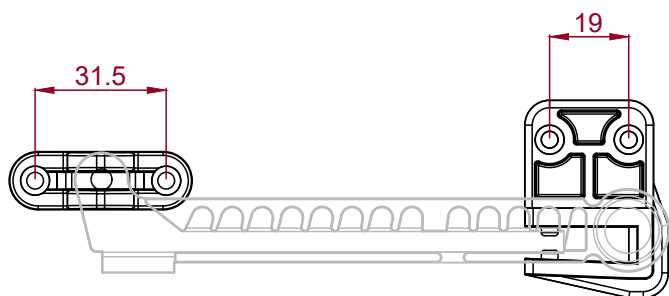
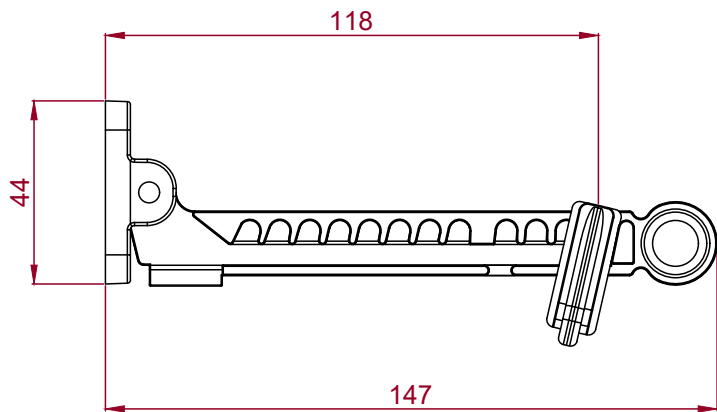
PRODUCT CODE	EXPLANATION	COLOR		
T-PMD 01	LOCKABLE SASH JAMMER	WHITE	2	100
T-PMD 02		GOLDEN OAK	2	100
T-PMD 03		DARK BROWN	2	100
T-PMD RA		PRIVATE COLOR	2	100



PRODUCT CODE	EXPLANATION	COLOR		
T-PKL 01	WINDOW SECURITY LOCK	WHITE	4	100
T-PKL 02		GOLDEN OAK	4	100
T-PKL 03		DARK BROWN	4	100
T-PKL RA		PRIVATE COLOR	4	100



PRODUCT CODE	EXPLANATION	COLOR		
T-PTL 01	TILT & TURN SECURITY LOCK	WHITE	4	100
T-PTL 02		GOLDEN OAK	4	100
T-PTL 03		DARK BROWN	4	100
T-PTL RA		PRIVATE COLOR	4	100



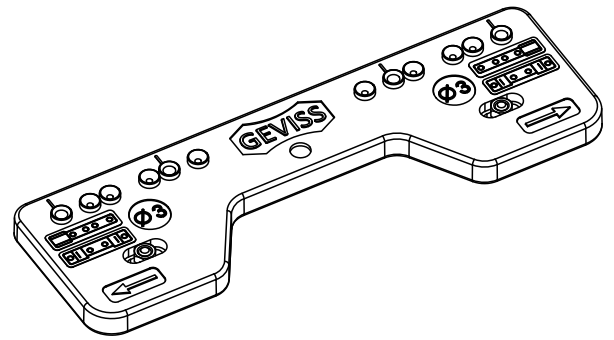
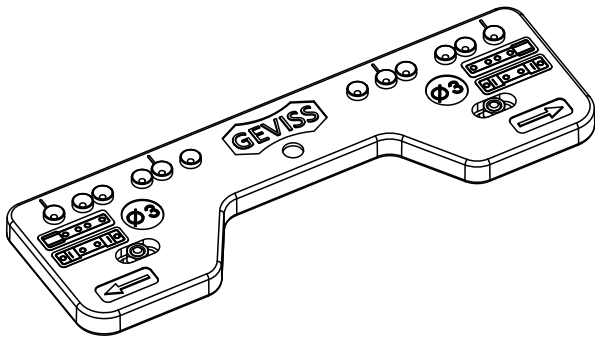
PRODUCT CODE

EXPLANATION

COLOR



PRODUCT CODE	EXPLANATION	COLOR		
PMV 212-1	PLASTIC MICROVENTILATION	WHITE	4	100
PMV 212-2		GOLDEN OAK	4	100
PMV 212-3		DARK BROWN	4	100
PMV 212-RA		PRIVATE COLOR	4	100

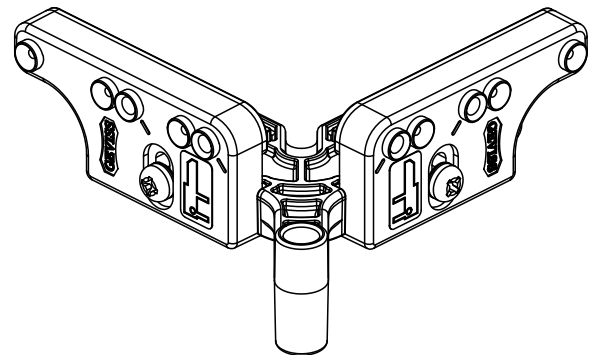
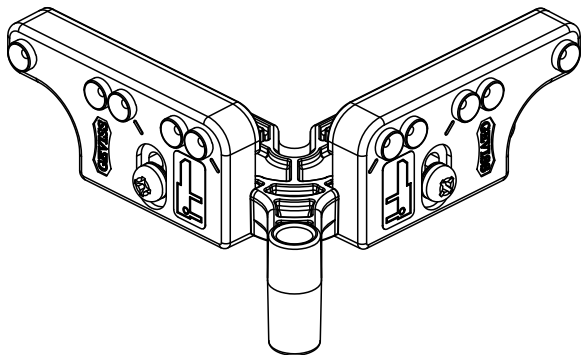


PRODUCT CODE

EXPLANATION



PRODUCT CODE	EXPLANATION	
KSM 1550	CORNER BEARING AND HINGE HOLE TEMPLATE - Ø3 MM	5
KSM 1600	CORNER BEARING AND HINGE HOLE TEMPLATE - Ø6 MM	5

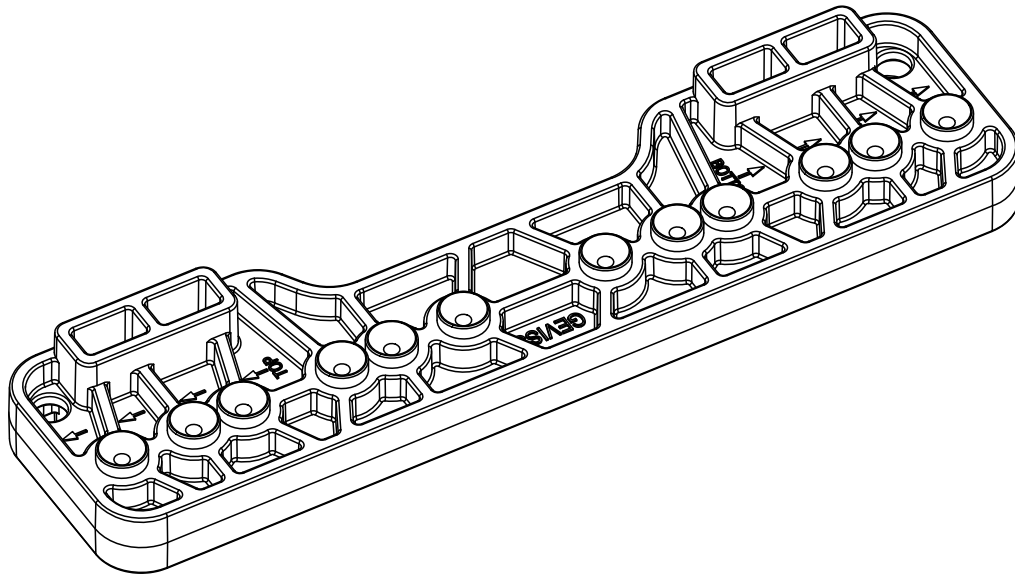


PRODUCT CODE

EXPLANATION



PRODUCT CODE	EXPLANATION	
KNM 1650	DRILL IN CORNER HINGE HOLE TEMPLATE - Ø3 MM	5
KNM 1700	DRILL IN CORNER HINGE HOLE TEMPLATE - Ø6 MM	5



PRODUCT CODE

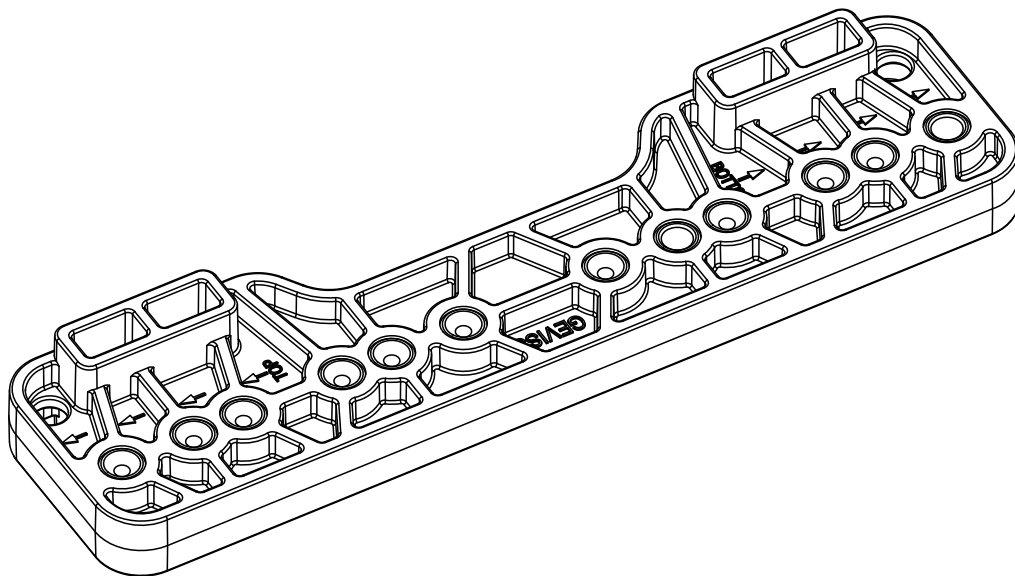
EXPLANATION



KSM.EKO 1400

CORNER BEARING AND HINGE HOLE TEMPLATE - Ø3 MM

5



PRODUCT CODE

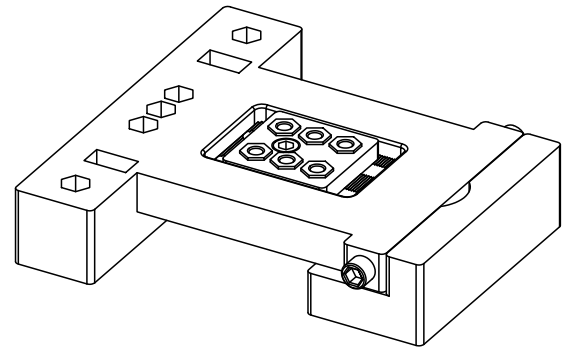
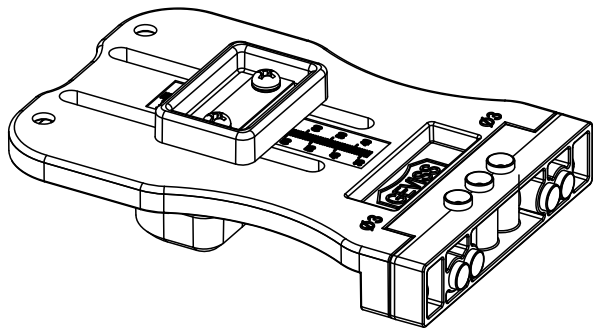
EXPLANATION



KSM.EKO 1410

CORNER BEARING AND HINGE HOLE TEMPLATE - Ø6 MM

5

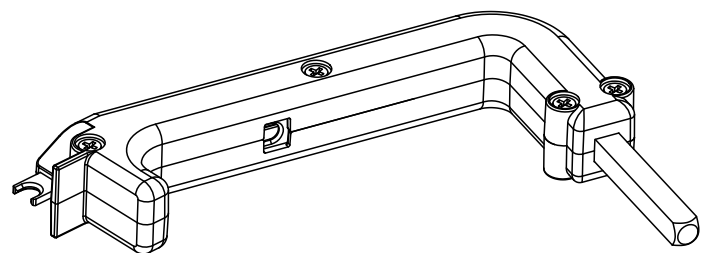
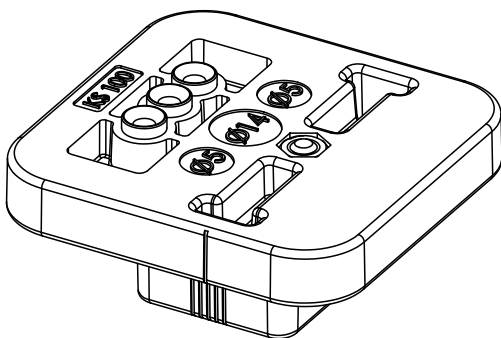


PRODUCT CODE

EXPLANATION



PRODUCT CODE	EXPLANATION	
PME TMP	STEEL HINGE WITH PLASTIC COVERING - ASSEMBLY TEMPLATE	1
3DM.TEMP	3D HINGE MONTAGE TEMPLATE	1

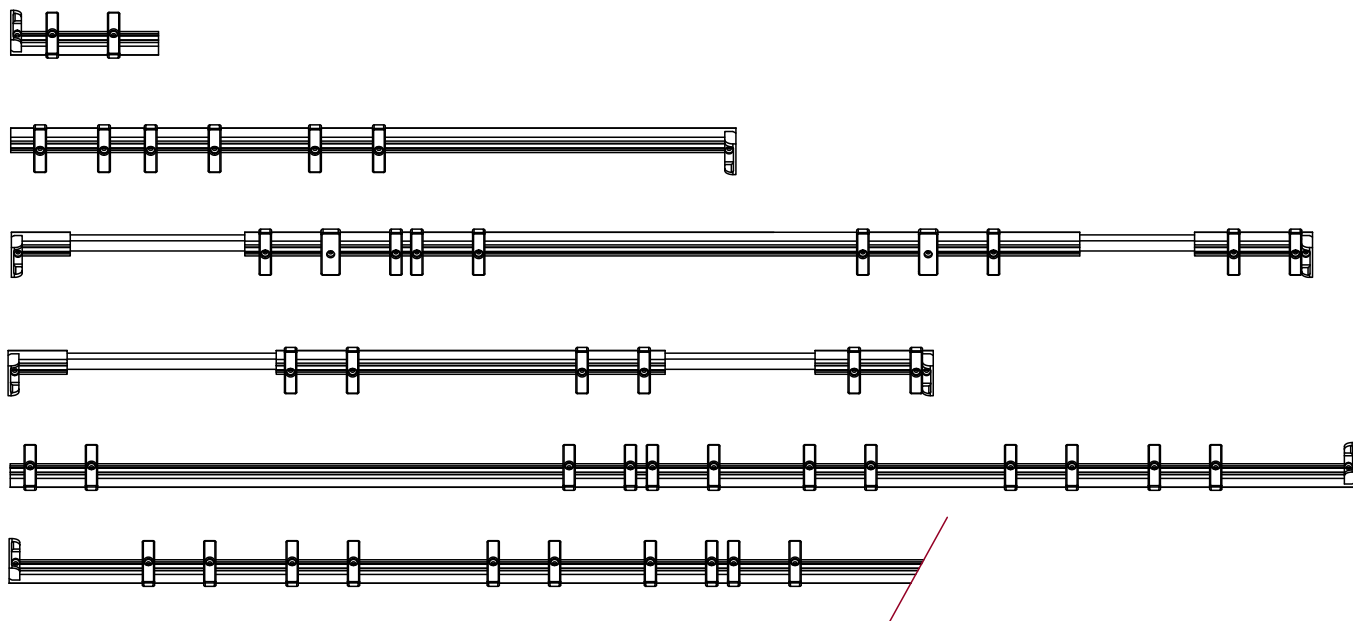


PRODUCT CODE

EXPLANATION



PRODUCT CODE	EXPLANATION	
KS 100	WINDOW SECURITY LOCK DRILL TEMPLATE	1
CK-AP1	TILT AND TURN INITIAL SETAP & HINGE PIVOT EXTRACTION HANDLE	1

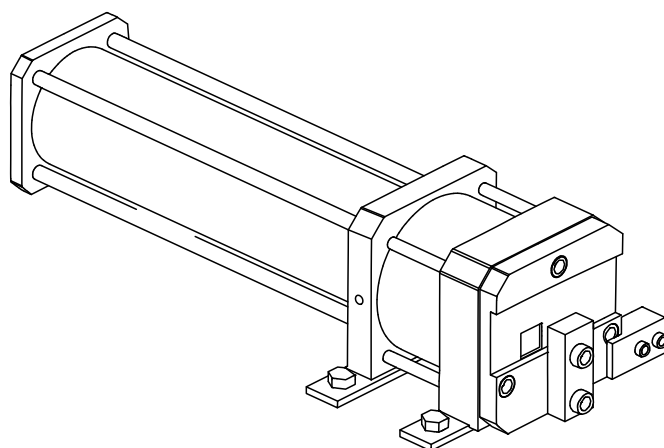
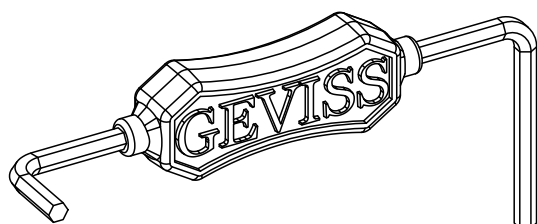


PRODUCT CODE

EXPLANATION



PRODUCT CODE	EXPLANATION	Window Type	Window Size	Quantity
KKS 50	SERIAL MONTAGE APPLICATION	-	-	1
KKS 100		-	700-1400	1
KKS 150		-	1200-2200	1
KKS 200		600-1350	-	1
KKS 300		-	-800-2200	1
KKS 350		-800-2200	-	1

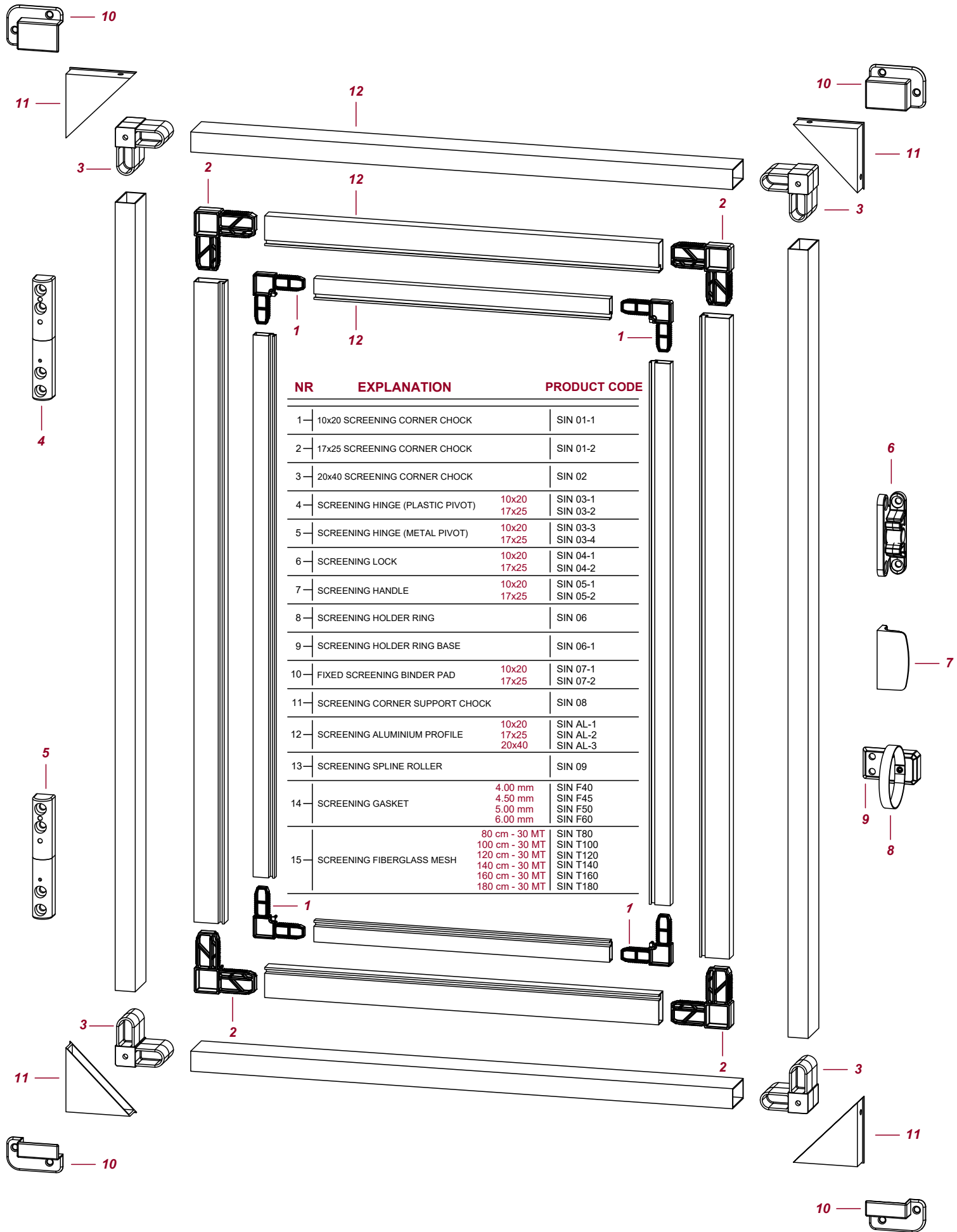


PRODUCT CODE

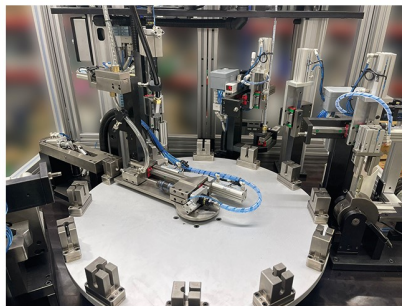
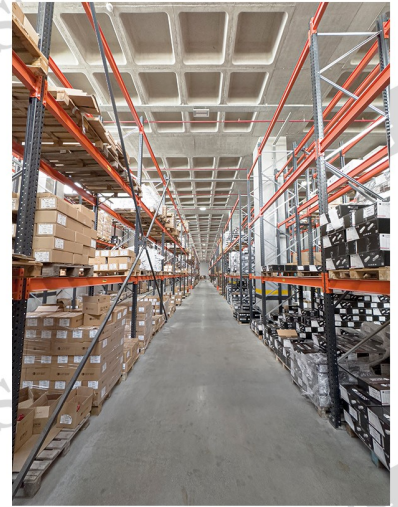
EXPLANATION



PRODUCT CODE	EXPLANATION	Quantity
ALY-2500-1	4 MM ALLEN KEY	5
IKP 3718	ESPAÑOLETTE CUTTING MACHINE	1



NR	EXPLANATION	PRODUCT CODE
1	10x20 SCREENING CORNER CHOCK	SIN 01-1
2	17x25 SCREENING CORNER CHOCK	SIN 01-2
3	20x40 SCREENING CORNER CHOCK	SIN 02
4	SCREENING HINGE (PLASTIC PIVOT)	10x20 SIN 03-1 17x25 SIN 03-2
5	SCREENING HINGE (METAL PIVOT)	10x20 SIN 03-3 17x25 SIN 03-4
6	SCREENING LOCK	10x20 SIN 04-1 17x25 SIN 04-2
7	SCREENING HANDLE	10x20 SIN 05-1 17x25 SIN 05-2
8	SCREENING HOLDER RING	SIN 06
9	SCREENING HOLDER RING BASE	SIN 06-1
10	FIXED SCREENING BINDER PAD	10x20 SIN 07-1 17x25 SIN 07-2
11	SCREENING CORNER SUPPORT CHOCK	SIN 08
12	SCREENING ALUMINIUM PROFILE	10x20 SIN AL-1 17x25 SIN AL-2 20x40 SIN AL-3
13	SCREENING SPLINE ROLLER	SIN 09
14	SCREENING GASKET	4.00 mm SIN F40 4.50 mm SIN F45 5.00 mm SIN F50 6.00 mm SIN F60
15	SCREENING FIBERGLASS MESH	80 cm - 30 MT SIN T80 100 cm - 30 MT SIN T100 120 cm - 30 MT SIN T120 140 cm - 30 MT SIN T140 160 cm - 30 MT SIN T160 180 cm - 30 MT SIN T180



INNOVATIVE SOLUTIONS

COMFORTABLE LIVING
quality products
GENIUS IDEAS
FINE DETAILS
**FOR MORE
AND
BETTER**
STRONG TEAM
safe usage
DURABLE GOODS



INNOVATIVE HARDWARE FOR WINDOW & DOOR

HİMSAN PENCERE VE KAPI SİSTEMLERİ ANONİM ŞİRKETİ

Ömerli Mah. Ragıp Cad. No:28/2 Arnavutköy - İSTANBUL / TÜRKİYE

Tel: + 90 (212) 595 48 00 (Pbx)

E-mail: info@geviss.com.tr Web: www.geviss.com.tr



copyright by GEVISS 2023